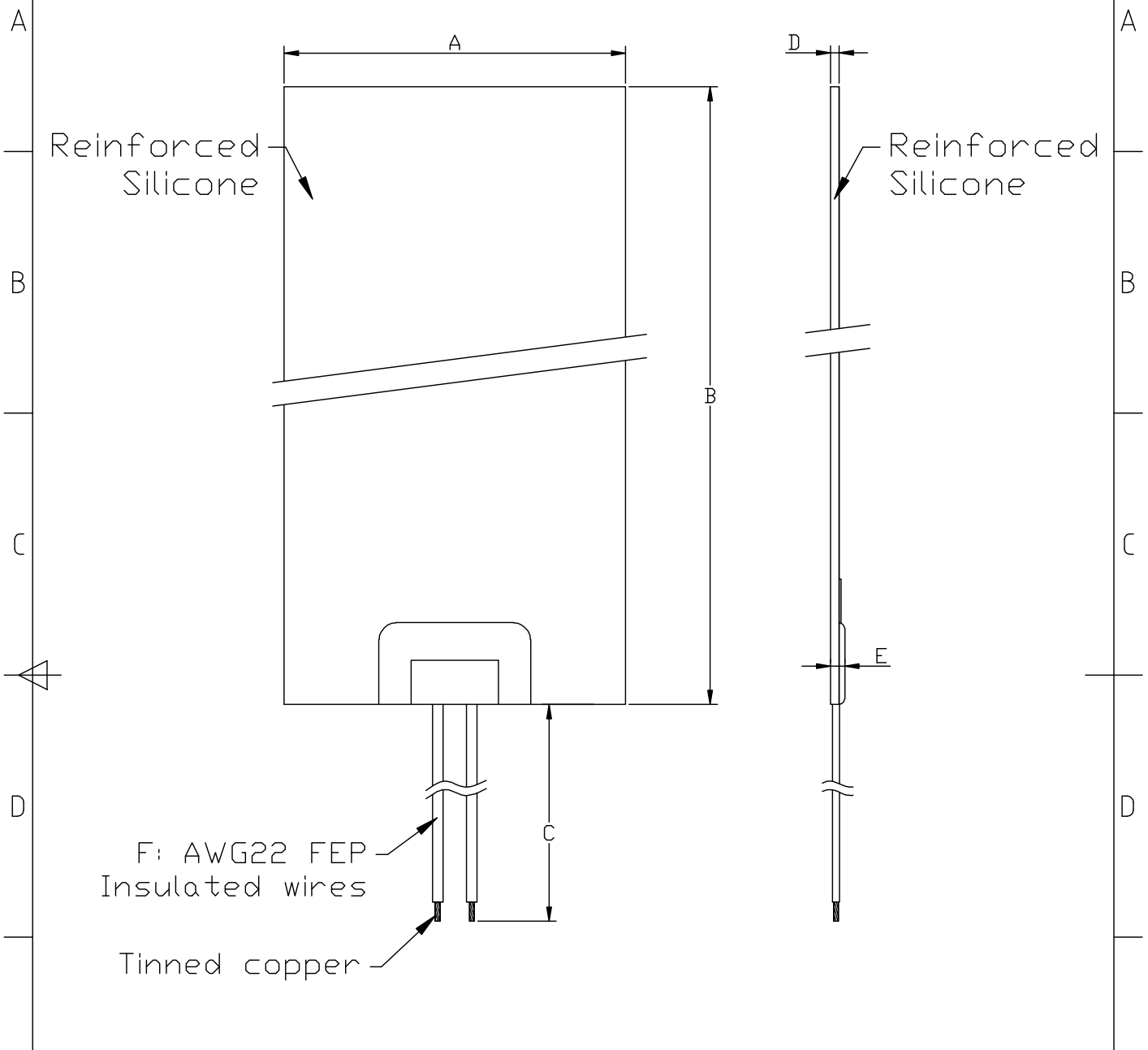


Rev.no.	Revision	Date	By :	Drawer:
---------	----------	------	------	---------



F: AWG22 FEP
Insulated wires

Tinned copper

Power	Voltage	Material	W/cm ²
240W	110/115V	Silicone	0.8

QC CONTROL

	Value	Criticality	% Checked		Value	Criticality	% Checked		Value	Criticality	% Checked
A	150	-	-	D	1.6	-	-	G	-----	-	-
B	200	-	-	E	2.5	-	-	H	-----	-	-
C	200	-	-	F	AWG22 FEP	-	-	I	-----	-	-

Do not scale drawing
This print is the
exclusive property of
Blue Ink and cannot be
reproduced in whole
or in part or issued
or disclosed to third
parties without the
expressed written
consent of Blue Ink

Tool number: _____ Made with : _____

Drawn by : / Date : HJH 01/07/2011
Checked by : / Date : J.J 01/07/2011
Raw materials: UL V0 Silicone
Scale:1/1

Blue Ink,
Bangkok,
Thailand

IF NOT SPECIFIED : (1)Dimensions are in mm;(2)General tolerance are ISO 2768-1.

Part Number _____

Page No.
1/1