

Mechanical humidistats for incorporation, side shaft adjustment

Type : Q88S

DIMENSIONS



MAIN FEATURES

SENSING ELEMENT: hygroscopic polymer film with special treatment, guaranteeing a fast response, long lifetime and high stability

HOUSING: Fiber glass Makrolon, high humidity resistance, very high electrical insulation properties. Do not use in places with risk of condensation.

MOUNTING: front side mounting by two screws, 30 mm distance. The same mounting is also available at the backside.

SETTING: with 6.4 mm diameter shaft, 14 mm long, with 4 mm flat, located on the small lateral side

SHAFT ROTATION: Standard mechanical rotation 295°.

ADJUSTMENT RANGE:

Range 20-80%: on 235° angular.

Range 10-60%: on 224° angular.

CALIBRATION: at mid position at 42% RH and 22 ° C. Calibration tolerance at mid point: + / -5% relative humidity. Minimum and maximum positions have positive contact actuation

CONTACT STYLE:

- SPDT, the NC opens when the relative humidity goes above the set-point (humidification applications), the NO contact closes when the relative humidity goes above the set-point (ventilation or dehumidification applications)

- NC: NC opens when the relative humidity goes above the set-point (humidification applications)

- NO: NO contact closes when the relative humidity goes above the set-point (ventilation or dehumidification applications)

CONTACT MATERIAL:

- **Gold plated silver:** recommended when storage at high humidity conditions may occur, or when the product is used in low voltage application (electronic control boards)

- **Silver:** recommended for standard resistive load application or low inductive loads

ELECTRICAL CONNECTIONS: 6.3 x 0.8 mm tabs

AMBIENT CONDITIONS :

Humidity: 5 to 95% without condensation

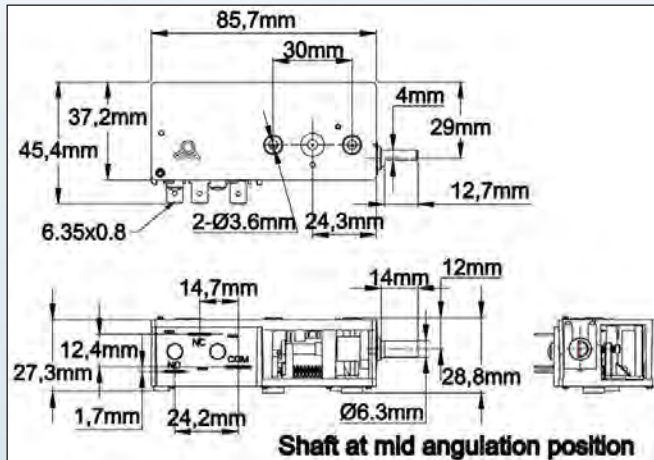
Ambient temperature: 5 to 40°C

RATING :

- UL and CSA: 6A resistive, 20A LRA, FLA 3.7A, 240V

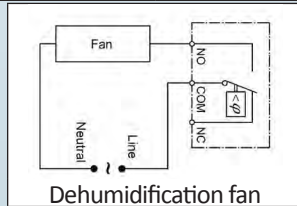
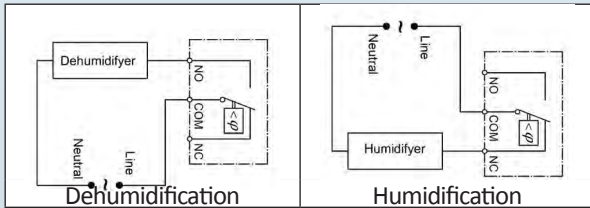
- EC: 6A resistive, (3.7A inductive) 250V

OPTIONS: Change in angular position, reverse rotation, flat and shaft length and orientation change (with MOQ and/or tooling cost)



Shaft at mid angulation position

Wiring diagrams



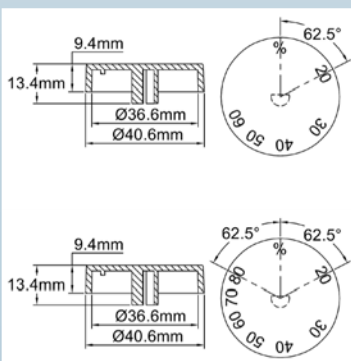
REFERENCES :

(Mechanical knob rotation 295°, 14 mm long shaft, flat horizontal position topside at mid adjustment range)

Contact style	Gold plated contact	Silver contact	Adjustment range	Rotation to increase set-point
NC	Q88S1G14H1060900	Q88S1S14H1060900	10-60%	Clockwise
NO	Q88S2G14C2080900	Q88S2S14C2080900	20-80%	Counter-clockwise
SPDT	Q88S3G14C2080900	Q88S3S14C2080900	20-80%	Counter-clockwise

Accessories

Knobs for humidistats with 6.3mm dia. shaft



20-60% RH printed knob, **counterclockwise** set point increase, for 6.35 mm shafts with 4mm flat.

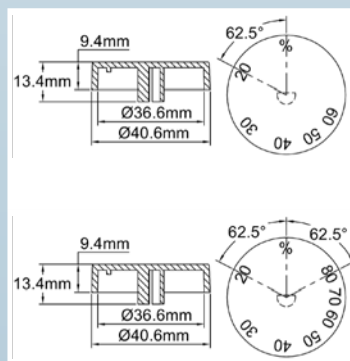
Reference

66MRW640200602AB

20-80% RH printed knob, **counterclockwise** set point increase, for 6.35 mm shafts with 4mm flat.

Reference

66MRW640200802AB



20-60% RH printed knob, **clockwise** set point increase, for 6.35 mm shafts with 4mm flat.

Reference

66MRW64020060BAB

20-80% RH printed knob, **clockwise** set point increase, for 6.35 mm shafts with 4mm flat.

Reference

66MRW64020080BAB

Because of permanent improvement of our products, drawings, descriptions, features used on these data sheets are for guidance only and can be modified without prior advice

