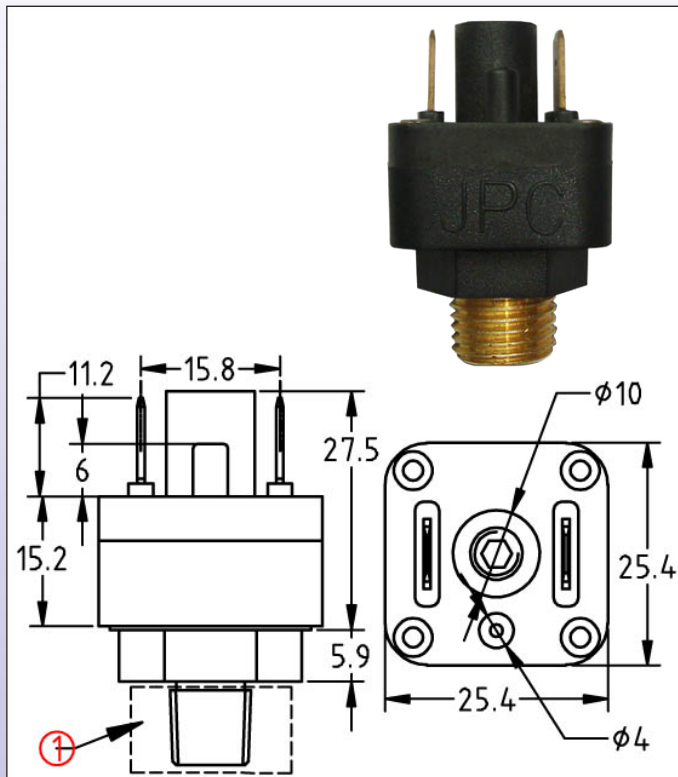


# Slow action contact miniature pressure switches, 6.3 x 0.8 mm QC terminals , metal fitting SPNC contact : Type ZA

## DIMENSIONS



**Uses:** Low voltage, high sensivity

**Main applications:** Electronic printed circuit. This pressure switch is more sensible than snap action models and can be calibrated at lower pressure values. Very small differential.

**Membranes:** EPDM, dia 22 mm. Silicone or NBR on request

**Fluid:** water or air

**Fitting:** Brass (stainless steel on request)

**Pressure:** positive

**Housing:** PA66, UL94 VO

**Contact:** single pole normally close, slow break.

**Electrical rating:**

- Silver contact: max 1A 250V

- Gold plated contact: max 100 mA, 24V

**Action:** momentary, open on pressure rise.

**Set point calibration:** factory calibrated and sealed, not field adjustable

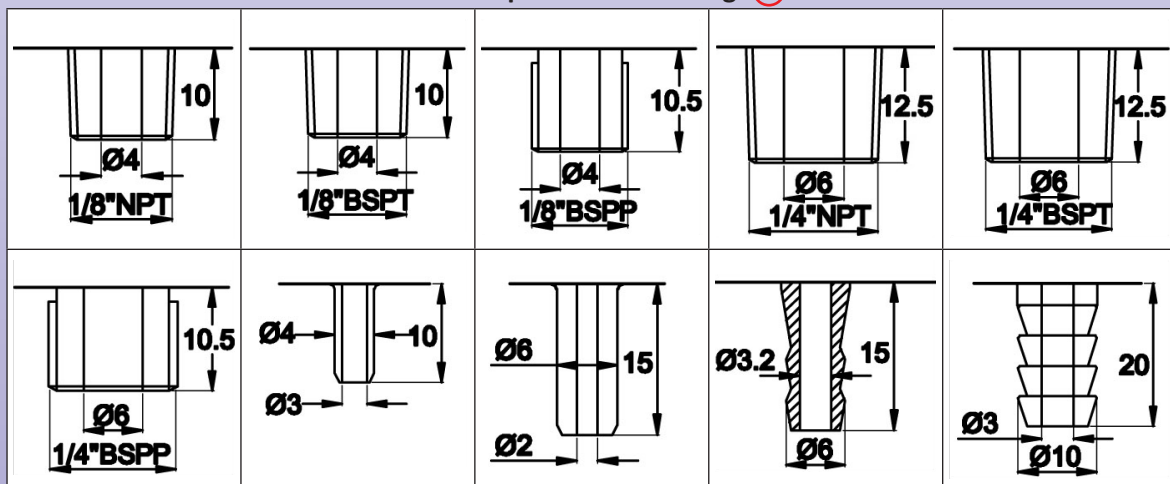
**Set point calibration limits:** standard calibration 150mbar, other values are achievable from 100 to 1300 mbar

**Electrical connection:** 6.35 x 0.8 mm quick connect terminals

**Maximum pressure:** 2 bars (29 PSI)

**Ambient temperature limits:** 0 to 85°C

### Available pressure inlet fittings ①



### References ( with calibration at 150 mbar and brass fitting):

Pressure inlet	Silver contact	Gold plated contact
1/8" NPT	ZA2X1REA0A500000	ZA2X1REG0A500000
1/8" BSPT	ZA2X1PEA0A500000	ZA2X1PEG0A500000
1/8" BSPP	ZA2X1LEA0A500000	ZA2X1LEG0A500000
1/4" NPT	ZA2X1CEA0A500000	ZA2X1CEG0A500000
1/4" BSPT	ZA2X1SEA0A500000	ZA2X1SEG0A500000
1/4" BSPP	ZA2X12EA0A500000	ZA2X12EG0A500000
Smooth spout dia 4 mm	ZA2X13EA0A500000	ZA2X13EG0A500000
Spout dia 6 mm	ZA2X17EA0A500000	ZA2X17EG0A500000
Fluted spout dia 6 mm	ZA2X1JEA0A500000	ZA2X1JEG0A500000
Barbed spout dia 10 mm	ZA2X19EA0A500000	ZA2X19EG0A500000

Other set point values: replace A50 in the product reference by the requested value in mbar