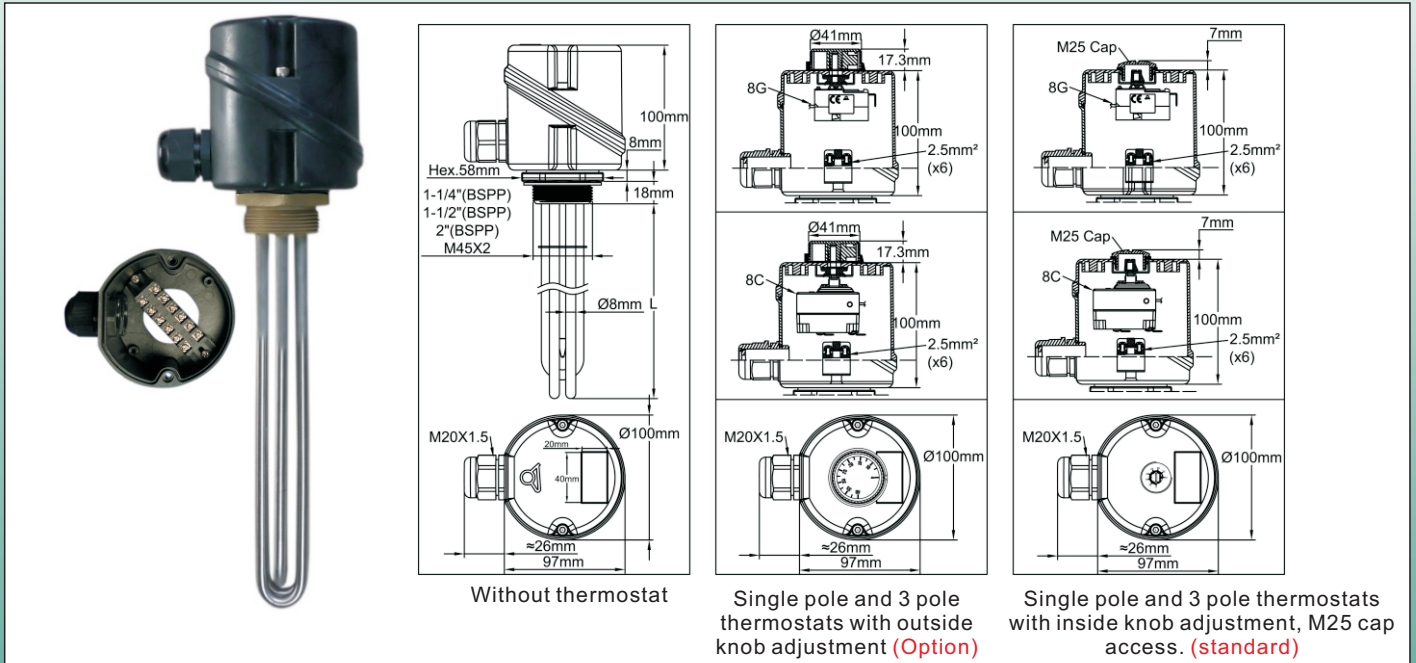


Immersion heaters

Immersion heater with dia. 100mm x 100mm plastic enclosure. 1"1/4 to 2" fittings.
With or without thermostat.

Type 9ST6



Main applications: liquid heating, hot water circuits, containers and buffer tanks.

These heaters can be fitted with the same equipment than the 9ST5 type, (thermostats, limiters, pilot lights etc ..), but their plastic enclosure is more convenient for corrosive surrounding.

They exist in:

-6 standard power levels: 1 kW - 2 kW - 3 kW - 4 kW - 6 kW- 8kW.

-4 types of standard fittings: 1" 1/4; 1" 1/2; M45x2; 2"

-2 types of surface load density: 5W/cm² and 10W/cm². See technical introduction to optimize the surface load.

Heater tube material: 8mm dia. AISI 304 or Incolloy 800 (AISI 316; AISI 321; Incolloy 825 on request). 10mm dia. heating elements on model with 2" fitting.

Fitting material: brass, swiveling on housing, brazed on tubes. (AISI 304 or AISI 316, TIG welded, or brazed, models are available on request). Supplied without gasket and without nut. See accessories below.

Thread: 1" 1/4 ; 1" 1/2 BSPP (ISO 228); M45x2; 2"

Enclosure: Dia. 100mm x 100 mm, black PA66 fiberglass reinforced. Silicone foam gasket. Stainless steel cover screws with locking nuts

Adjustment range: 30-90°C (85-195°F)

Ingress protection class: Water and dust: IP65; shock resistance: IK 8 (with metal cable glands and M25 metal plug).

Cable glands: M20, PA66. Nickel-plated brass on request.

Thermowell: In standard one thermowell in AISI304, dia. 8 x 7 mm, 135mm length.

Electrical connections: tubular heater terminals with stainless steel screw, nut and stainless steel washer. Switching straps on 3 phase models.

Models with thermostats have a built in connection block, 3 x 2.5mm² for single phase units and 5 x 2.5mm² for 3 phases units. One more M4 grounding terminal available.

Support grid: 1 grid AISI 304 for lengths from 400 to 600mm, 2 grids above.

Not heating immersed zone: 50mm.

Surface load: standard 5 W/cm² or 10 W/cm², other values on request.

Voltage: 220-240V single phase or three phase 380-400V (Star connection with neutral)

Standard options:

-Thermostat knob accessible under the cover by a M25 removable plug, adjustable from 30°C to 90°C (85-195°F). 230V single phase thermostat for power up to 3 kW. 3 phase thermostat for 4kW, 6kW and 8kW models.

Variants on request:

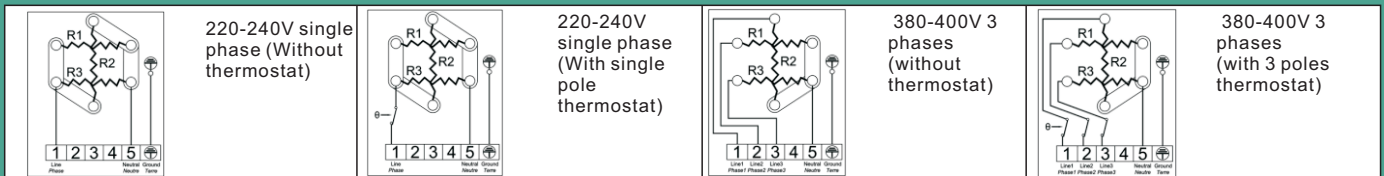
- 4-40°C (40-105°F), 0-60°C (32-140°F), or 30-110°C (86-230°F) thermostat.

- Additional cable gland output for electronic control sensor.

- Thermostat with external knob.

- One or two pilot lights and a power cord.

Electric Wiring



Because of permanent improvement of our products, drawings, descriptions, features used on these data sheets are for guidance only and can be modified without prior advice

Main references

5W/cm², 1 1/2" brass fitting, **without thermostat.**

Heating element dia	8mm					10mm (2" only)
	1kW	2kW	3kW	4kW	6kW	
Power	1kW	2kW	3kW	4kW	6kW	8kW
Length (mm)	170	300	440	570	840	880
AISI 304 Reference	9ST6A5E1010U8170	9ST6A5E1020U8300	9ST6A5E1030U8440	9ST6A5E1040U8570	9ST6A5E1060U8840	9ST6A6E1080U1880
Incolloy 800 reference	9ST6A5E1010UK170	9ST6A5E1020UK300	9ST6A5E1030UK440	9ST6A5E1040UK570	9ST6A5E1060UK840	9ST6A6E1000UL880

10W/cm², 1 1/2" brass fitting, **without thermostat.**

Heating element dia	8mm					10mm (2" only)
	1kW**	2kW	3kW	4kW	6kW	
Power	1kW**	2kW	3kW	4kW	6kW	8kW
Length (mm)	135	170	240	300	440	450
AISI 304 Reference	9ST6A5E1010B8130	9ST6A5E1020U8170	9ST6A5E1030U8240	9ST6A5E1040U8300	9ST6A5E1060U8440	9ST6A6E1080U1450
Incolloy 800 reference	9ST6A5E1010BK130	9ST6A5E1020UK170	9ST6A5E1030UK240	9ST6A5E1040UK300	9ST6A5E1060UK440	9ST6A6E1000UL450

5W/cm², 1 1/2" brass fitting, **with 30-90°C (84-194°F) thermostat, adjustable under M25 cap (single phase up to 3kW, 3 phases for 4kW, 6kW and 8kW models)**

Heating element dia	8mm					10mm (2" only)
	1kW	2kW	3kW	4kW	6kW	
Power	1kW	2kW	3kW	4kW	6kW	8kW
Length (mm)	170	300	440	570	840	880
AISI 304 Reference	9ST6A5ES010V8170	9ST6A5ES020V8300	9ST6A5ES030V8440	9ST6A5ES040U8570	9ST6A5ES060U8840	9ST6A6ES080U1880
Incolloy 800 reference	9ST6A5ES010VK170	9ST6A5ES020VK300	9ST6A5ES030VK440	9ST6A5ES040UK570	9ST6A5ES060UK840	9ST6A6ES000UL880

10W/cm², 1 1/2" brass fitting, **with 30-90°C (85-195°F) thermostat adjustable under M25 cap (single phase up to 3kW, 3 phases for 4kW, 6kW and 8kW models)**


Heating element dia	8mm					10mm (2" only)
	1kW**	2kW	3kW	4kW	6kW	
Power	1kW**	2kW	3kW	4kW	6kW	8kW
Length (mm)	135	170	240	300	440	450
AISI 304 Reference	9ST6A5ES010B8130	9ST6A5ES020V8170	9ST6A5ES030V8240	9ST6A5ES040U8300	9ST6A5ES060U8440	9ST6A6ES080U1450
Incolloy 800 reference	9ST6A5ES010BK130	9ST6A5ES020VK170	9ST6A5ES030VK240	9ST6A5ES040UK300	9ST6A5ES060UK440	9ST6A6ES000UL450

* 1 1/4 brass fitting instead of 1 1/2, replace A5 by A4 in the reference. M45x2 brass fitting instead of 1 1/2, replace A5 by A9 in the reference.


** This model has only 2 heating elements.

References of accessories in option (not included in the product, must be ordered separately):

Nuts

	Thread	1 1/4	1 1/2	M45x200	2"
	Brass		9BRR3000ELH302A	9BRR3000ELH303A	9BRR3000ELH305A
AISI304		9BRR3000ELH032A	9BRR3000ELH006A	9BRR3000ELH049A	9BRR3000ELH348A
AISI316		9BRR3000ELH202A	9BRR3000ELH203A	9BRR3000ELH205A	9BRR3000ELH204A

Gaskets

	Thread	1 1/4	1 1/2 - M45x200	2"
	NBR		9BRJ03000ELH206A	9BRJ03000ELH205A
Fiber		9BRJ03000ELH052A	9BRJ03000ELH007A	9BRJ03000ELH028A
PTFE		9BRJ03000ELH032A	9BRJ03000ELH033A	9BRJ03000ELH034A

Other accessories and drawings: see last section of this catalogue