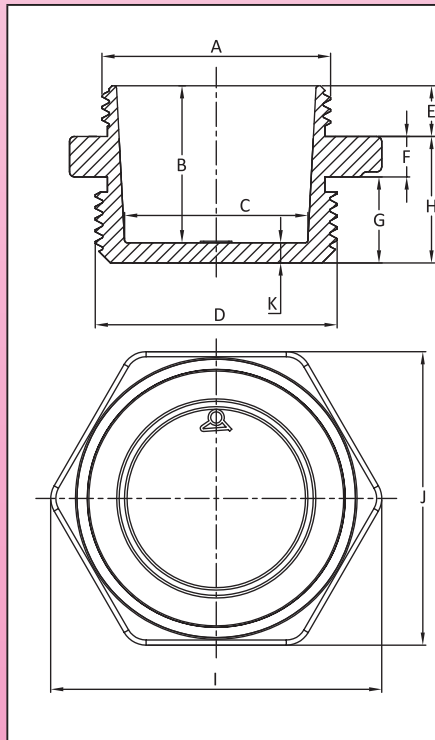


Brass fittings, double thread, without grounding terminal

Minimum Size	Maximum Size	Material	Type	Model
1"	M77×2	Brass	Double thread, no ground	66RB

Compatible accessories		
<input checked="" type="checkbox"/> 66JP	<input checked="" type="checkbox"/> 66NL	
<input checked="" type="checkbox"/> 66JF	<input checked="" type="checkbox"/> 66XN	
Compatible enclosures		
<input checked="" type="checkbox"/> Y303	<input checked="" type="checkbox"/> Y3P5	<input checked="" type="checkbox"/> Y3N2
<input checked="" type="checkbox"/> Y304	<input checked="" type="checkbox"/> Y3P6	<input checked="" type="checkbox"/> Y3N3
<input checked="" type="checkbox"/> Y305	<input checked="" type="checkbox"/> Y3H1	<input checked="" type="checkbox"/> Y3N4
<input checked="" type="checkbox"/> Y306	<input checked="" type="checkbox"/> Y3H2	<input checked="" type="checkbox"/> Y3L1
<input checked="" type="checkbox"/> Y307	<input checked="" type="checkbox"/> Y3H3	<input checked="" type="checkbox"/> Y3L3
<input checked="" type="checkbox"/> Y309	<input checked="" type="checkbox"/> Y3J1	<input checked="" type="checkbox"/> Y3S3
<input checked="" type="checkbox"/> Y310	<input checked="" type="checkbox"/> Y3J2	<input checked="" type="checkbox"/> Y3S5
<input checked="" type="checkbox"/> Y3P1	<input checked="" type="checkbox"/> Y3G1	<input checked="" type="checkbox"/> Y3SA
<input checked="" type="checkbox"/> Y3P3	<input checked="" type="checkbox"/> Y3G2	<input checked="" type="checkbox"/> Y3S7
<input checked="" type="checkbox"/> Y3P4	<input checked="" type="checkbox"/> Y3N1	






	1"	1-1/4"	1-1/2"	M45x2	2"	2-1/2"	M77x2
A	1"	1-1/4"	1-1/2"	M45x2	2"	2-1/2"	M77x2
B	31	31	31	31	34	34	34
C	∅27	∅35	∅36	∅36	∅50	∅66	∅66
D	1"	1-1/4"	1-1/2"	M45x2	2"	2-1/2"	M77x2
E	10	10	10	10	10	10	10
F	8	8	8	8	8	8	8
G	17	17	17	17	20	20	20
H	25	25	25	25	28	28	28
I	50.5	65.5	65.5	65.5	79.5	102.5	102.5
J	Hex 45	Hex 58	Hex 58	Hex 58	Hex 70	Hex 90	Hex 90
K	4	4	4	4	4	4	4

Main references

Dimension	References	Dimension	References
1"	66RBA1T000000000	2"	66RBA5T000000000
1-1/4"	66RBA2T000000000	2-1/2"	66RBA7T000000000
1-1/2"	66RBA3T000000000	M77×2	66RBMGT000000000
M45×2	66RBMDDT000000000		

Links

	Page (.pdf)
	Drawing 2D (.dwg)
	Drawing 3D (.stp)

Red dimensions inside rectangular frames are used for assembly on enclosures or on fittings.

