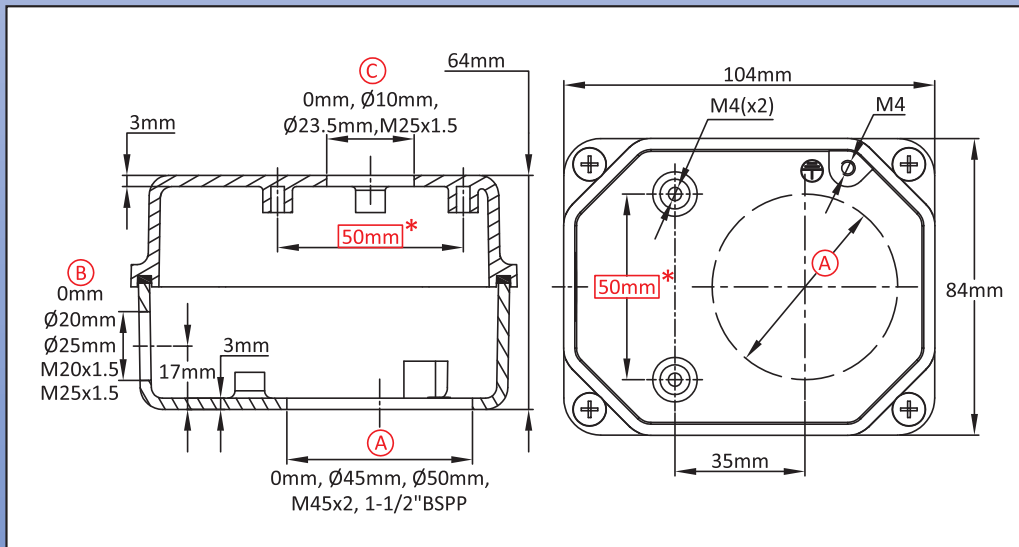


Small size enclosure for immersion heater, finned heaters or controls

Size(mm)	Volume(cm ³)	Material	Protection grade		Model
64 x 84 x 104	510	Aluminum	IP69K	IK10	Y3P1 (P1)

Suitable for
<input type="checkbox"/> Temperature sensor
<input checked="" type="checkbox"/> Immersion heater
<input checked="" type="checkbox"/> Finned heater
<input checked="" type="checkbox"/> Thermostat
<input type="checkbox"/> Level sensor
<input checked="" type="checkbox"/> Electronic board



Links

	Page (.pdf)
	Drawing 2D (.dwg)
	Drawing 3D (.stp)

Main references

(A) (mm)	(B) (mm)	(C) (mm)	Not painted	Painted	(A) (mm)	(B) (mm)	(C) (mm)	Not painted	Painted
0	0	0	Y3P1000000000007	Y3P1000000000000G	0	M20x1.5	0	Y3P100001T000007	Y3P100001T00000G
0	0	10	Y3P1000A00000007	Y3P1000A0000000G	0	M20x1.5	10	Y3P1000A1T000007	Y3P1000A1T00000G
0	0	23.5	Y3P1000D00000007	Y3P1000D0000000G	0	M20x1.5	23.5	Y3P1000D1T000007	Y3P1000D1T00000G
0	0	M25x1.5	Y3P1000F00000007	Y3P1000F0000000G	0	M20x1.5	M25x1.5	Y3P1000F1T000007	Y3P1000F1T00000G
0	20	0	Y3P1000012000007	Y3P100001200000G	0	M25x1.5	0	Y3P100001T500007	Y3P100001T50000G
0	20	10	Y3P1000A12000007	Y3P1000A1200000G	0	M25x1.5	10	Y3P1000A1T500007	Y3P1000A1T50000G
0	20	23.5	Y3P1000D12000007	Y3P1000D1200000G	0	M25x1.5	23.5	Y3P1000D1T500007	Y3P1000D1T50000G
0	20	M25x1.5	Y3P1000F12000007	Y3P1000F1200000G	0	M25x1.5	M25x1.5	Y3P1000F1T500007	Y3P1000F1T50000G
0	25	0	Y3P1000012500007	Y3P100001250000G	45	0	0	Y3P14500000000007	Y3P1450000000000G
0	25	10	Y3P1000A12500007	Y3P1000A1250000G	45	0	10	Y3P1450A000000007	Y3P1450A00000000G
0	25	23.5	Y3P1000D12500007	Y3P1000D1250000G	45	0	23.5	Y3P1450D000000007	Y3P1450D00000000G
0	25	M25x1.5	Y3P1000F12500007	Y3P1000F1250000G	45	0	M25x1.5	Y3P1450F000000007	Y3P1450F00000000G

Cable gland not included in these reference, consult us if you want them.
Red dimensions inside rectangular frames are used for accessories assembly.

Because of permanent improvement of our products, drawings, descriptions, features used on these data sheets are for guidance only and can be modified without prior advice



Small size enclosure for immersion heater, finned heaters or controls

**Y3P1
(P2)**

(A) (mm)	(B) (mm)	(C) (mm)	Not painted	Painted	(A) (mm)	(B) (mm)	(C) (mm)	Not painted	Painted
45	20	0	Y3P1450012000007	Y3P145001200000G	M45×2	0	23.5	Y3P1M45D00000007	Y3P1M45D0000000G
45	20	10	Y3P1450A12000007	Y3P1450A1200000G	M45×2	0	M25×1.5	Y3P1M45F00000007	Y3P1M45F0000000G
45	20	23.5	Y3P1450D12000007	Y3P1450D1200000G	M45×2	20	0	Y3P1M45012000007	Y3P1M4501200000G
45	20	M25×1.5	Y3P1450F12000007	Y3P1450F1200000G	M45×2	20	10	Y3P1M45A12000007	Y3P1M45A1200000G
45	25	0	Y3P1450012500007	Y3P145001250000G	M45×2	20	23.5	Y3P1M45D12000007	Y3P1M45D1200000G
45	25	10	Y3P1450A12500007	Y3P1450A1250000G	M45×2	20	M25×1.5	Y3P1M45F12000007	Y3P1M45F1200000G
45	25	23.5	Y3P1450D12500007	Y3P1450D1250000G	M45×2	25	0	Y3P1M45012500007	Y3P1M4501250000G
45	25	M25×1.5	Y3P1450F12500007	Y3P1450F1250000G	M45×2	25	10	Y3P1M45A12500007	Y3P1M45A1250000G
45	M20×1.5	0	Y3P145001T000007	Y3P145001T00000G	M45×2	25	23.5	Y3P1M45D12500007	Y3P1M45D1250000G
45	M20×1.5	10	Y3P1450A1T000007	Y3P1450A1T00000G	M45×2	25	M25×1.5	Y3P1M45F12500007	Y3P1M45F1250000G
45	M20×1.5	23.5	Y3P1450D1T000007	Y3P1450D1T00000G	M45×2	M20×1.5	0	Y3P1M4501T000007	Y3P1M4501T00000G
45	M20×1.5	M25×1.5	Y3P1450F1T000007	Y3P1450F1T00000G	M45×2	M20×1.5	10	Y3P1M45A1T000007	Y3P1M45A1T00000G
45	M25×1.5	0	Y3P145001T500007	Y3P145001T50000G	M45×2	M20×1.5	23.5	Y3P1M45D1T000007	Y3P1M45D1T00000G
45	M25×1.5	10	Y3P1450A1T500007	Y3P1450A1T50000G	M45×2	M20×1.5	M25×1.5	Y3P1M45F1T000007	Y3P1M45F1T00000G
45	M25×1.5	23.5	Y3P1450D1T500007	Y3P1450D1T50000G	M45×2	M25×1.5	0	Y3P1M4501T500007	Y3P1M4501T50000G
45	M25×1.5	M25×1.5	Y3P1450F1T500007	Y3P1450F1T50000G	M45×2	M25×1.5	10	Y3P1M45A1T500007	Y3P1M45A1T50000G
50	0	0	Y3P1500000000007	Y3P150000000000G	M45×2	M25×1.5	23.5	Y3P1M45D1T500007	Y3P1M45D1T50000G
50	0	10	Y3P1500A00000007	Y3P1500A0000000G	M45×2	M25×1.5	M25×1.5	Y3P1M45F1T500007	Y3P1M45F1T50000G
50	0	23.5	Y3P1500D00000007	Y3P1500D0000000G	1½" BSPP	0	0	Y3P1BA2000000007	Y3P1BA200000000G
50	0	M25×1.5	Y3P1500F00000007	Y3P1500F0000000G	1½" BSPP	0	10	Y3P1BA2A00000007	Y3P1BA2A0000000G
50	20	0	Y3P1500012000007	Y3P150001200000G	1½" BSPP	0	23.5	Y3P1BA2D00000007	Y3P1BA2D0000000G
50	20	10	Y3P1500A12000007	Y3P1500A1200000G	1½" BSPP	0	M25×1.5	Y3P1BA2F00000007	Y3P1BA2F0000000G
50	20	23.5	Y3P1500D12000007	Y3P1500D1200000G	1½" BSPP	20	0	Y3P1BA2012000007	Y3P1BA201200000G
50	20	M25×1.5	Y3P1500F12000007	Y3P1500F1200000G	1½" BSPP	20	10	Y3P1BA2A12000007	Y3P1BA2A1200000G
50	25	0	Y3P1500012500007	Y3P150001250000G	1½" BSPP	20	23.5	Y3P1BA2D12000007	Y3P1BA2D1200000G
50	25	10	Y3P1500A12500007	Y3P1500A1250000G	1½" BSPP	20	M25×1.5	Y3P1BA2F12000007	Y3P1BA2F1200000G
50	25	23.5	Y3P1500D12500007	Y3P1500D1250000G	1½" BSPP	25	0	Y3P1BA2012500007	Y3P1BA201250000G
50	25	M25×1.5	Y3P1500F12500007	Y3P1500F1250000G	1½" BSPP	25	10	Y3P1BA2A12500007	Y3P1BA2A1250000G
50	M20×1.5	0	Y3P150001T000007	Y3P150001T00000G	1½" BSPP	25	23.5	Y3P1BA2D12500007	Y3P1BA2D1250000G
50	M20×1.5	10	Y3P1500A1T000007	Y3P1500A1T00000G	1½" BSPP	25	M25×1.5	Y3P1BA2F12500007	Y3P1BA2F1250000G
50	M20×1.5	23.5	Y3P1500D1T000007	Y3P1500D1T00000G	1½" BSPP	M20×1.5	0	Y3P1BA201T000007	Y3P1BA201T00000G
50	M20×1.5	M25×1.5	Y3P1500F1T000007	Y3P1500F1T00000G	1½" BSPP	M20×1.5	10	Y3P1BA2A1T000007	Y3P1BA2A1T00000G
50	M25×1.5	0	Y3P150001T500007	Y3P150001T50000G	1½" BSPP	M20×1.5	23.5	Y3P1BA2D1T000007	Y3P1BA2D1T00000G
50	M25×1.5	10	Y3P1500A1T500007	Y3P1500A1T50000G	1½" BSPP	M20×1.5	M25×1.5	Y3P1BA2F1T000007	Y3P1BA2F1T00000G
50	M25×1.5	23.5	Y3P1500D1T500007	Y3P1500D1T50000G	1½" BSPP	M25×1.5	0	Y3P1BA201T500007	Y3P1BA201T50000G
50	M25×1.5	M25×1.5	Y3P1500F1T500007	Y3P1500F1T50000G	1½" BSPP	M25×1.5	10	Y3P1BA2A1T500007	Y3P1BA2A1T50000G
M45×2	0	0	Y3P1M450000000007	Y3P1M45000000000G	1½" BSPP	M25×1.5	23.5	Y3P1BA2D1T500007	Y3P1BA2D1T50000G
M45×2	0	10	Y3P1M45A000000007	Y3P1M45A00000000G	1½" BSPP	M25×1.5	M25×1.5	Y3P1BA2F1T500007	Y3P1BA2F1T50000G

Because of permanent improvement of our products, drawings, descriptions, features used on these data sheets are for guidance only and can be modified without prior advice

