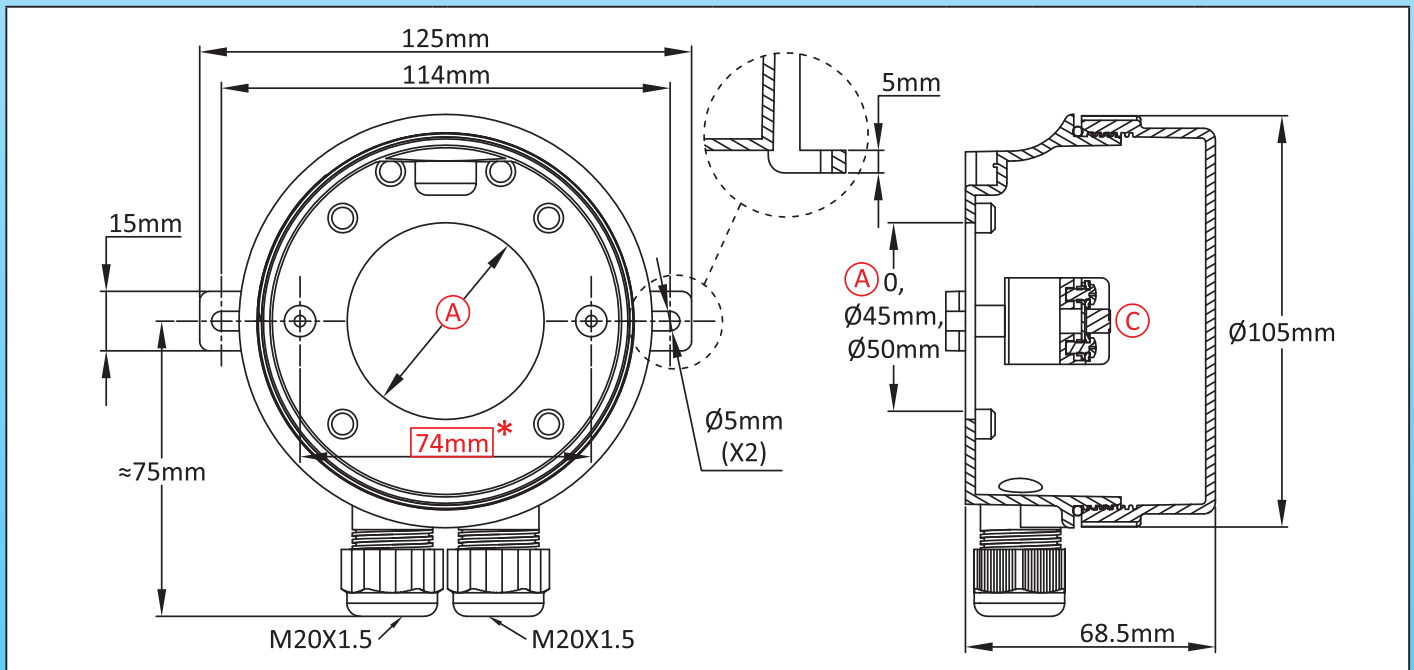


Immersion heater, level sensor or temperature sensor enclosure. In PA66 and polycarbonate

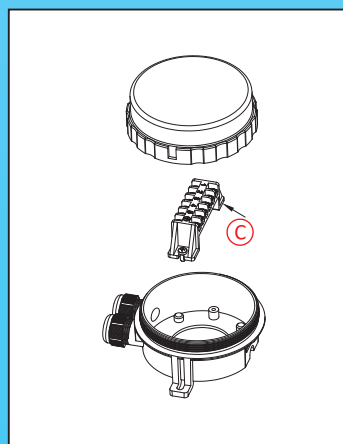
Size(mm)	Volume(cm ³)	Material	Protection grade		Model
Dia. 105 X 66	500	PA66 + PC	IP69K	IK10	Y3F2

Suitable for
<input checked="" type="checkbox"/> Temperature sensor
<input checked="" type="checkbox"/> Immersion heater
<input type="checkbox"/> Finned heater
<input checked="" type="checkbox"/> Thermostat
<input checked="" type="checkbox"/> Level sensor
<input type="checkbox"/> Electronic board



Main references

Ⓐ(mm)	With connection block Ⓒ	Without connection block Ⓒ
0	Y3F2000022AH400T	Y3F2000022A0000T
45	Y3F2450022AH400T	Y3F2450022A0000T
50	Y3F2500022AH400T	Y3F2500022A0000T



Links

	Page (.pdf)
	Drawing 2D (.dwg)
	Drawing 3D (.stp)

Cable gland not included in these reference, consult us if you want them.
 Red dimensions inside rectangular frames on drawings are used for accessories assembly.

Because of permanent improvement of our products, drawings, descriptions, features used on these data sheets are for guidance only and can be modified without prior advice

