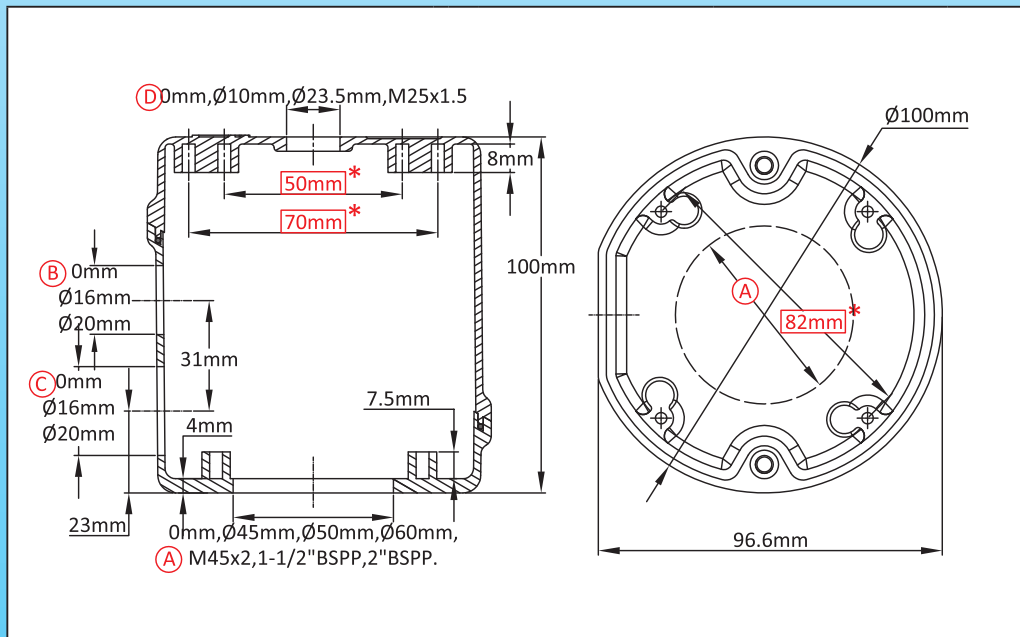


Round enclosure for immersion heater or temperature sensor

Size(mm)	Volume(cm ³)	Material	Protection grade		Model
Dia. 100 x 100	700	PA66	IP69K	IK10	Y306 (P1)

Suitable for
<input type="checkbox"/> Temperature sensor
<input checked="" type="checkbox"/> Immersion heater
<input type="checkbox"/> Finned heater
<input checked="" type="checkbox"/> Thermostat
<input type="checkbox"/> Level sensor
<input type="checkbox"/> Electronic board



Links

Page
(.pdf)

Drawing 2D
(.dwg)

Drawing 3D
(.stp)

Main references

Ⓐ(mm)	Ⓑ(mm)	Ⓒ(mm)	Ⓓ(mm)	References	Ⓐ(mm)	Ⓑ(mm)	Ⓒ(mm)	Ⓓ(mm)	References
0	0	0	0	Y30600000000000T	0	16	20	0	Y30600002C00000T
0	0	0	10	Y306000A0000000T	0	16	20	10	Y306000A2C00000T
0	0	0	23.5	Y306000D0000000T	0	16	20	23.5	Y306000D2C00000T
0	0	0	M25x1.5	Y306000F0000000T	0	16	20	M25x1.5	Y306000F2C00000T
0	0	16	0	Y30600001160000T	0	20	20	0	Y30600002200000T
0	0	16	10	Y306000A1160000T	0	20	20	10	Y306000A2200000T
0	0	16	23.5	Y306000D1160000T	0	20	20	23.5	Y306000D2200000T
0	0	16	M25x1.5	Y306000F1160000T	0	20	20	M25x1.5	Y306000F2200000T
0	0	20	0	Y30600001200000T	45	0	0	0	Y30645000000000T
0	0	20	10	Y306000A1200000T	45	0	0	10	Y306450A00000000T
0	0	20	23.5	Y306000D1200000T	45	0	0	23.5	Y306450D00000000T
0	0	20	M25x1.5	Y306000F1200000T	45	0	0	M25x1.5	Y306450F00000000T
0	16	16	0	Y30600002160000T	45	0	16	0	Y30645001160000T
0	16	16	10	Y306000A2160000T	45	0	16	10	Y306450A1160000T
0	16	16	23.5	Y306000D2160000T	45	0	16	23.5	Y306450D1160000T
0	16	16	M25x1.5	Y306000F2160000T	45	0	16	M25x1.5	Y306450F1160000T

Cable gland not included in these reference, consult us if you want them.

Red dimensions inside rectangular frames on drawings are used for accessories assembly.

Because of permanent improvement of our products, drawings, descriptions, features used on these data sheets are for guidance only and can be modified without prior advice



Round enclosure for immersion heater or temperature sensor

Y306
(P2)

⌀A (mm)	⌀B (mm)	⌀C (mm)	⌀D (mm)	References	⌀A (mm)	⌀B (mm)	⌀C (mm)	⌀D (mm)	References
45	0	20	0	Y30645001200000T	M45x2	0	16	0	Y306M4501600000T
45	0	20	10	Y306450A1200000T	M45x2	0	16	10	Y306M45A1600000T
45	0	20	23.5	Y306450D1200000T	M45x2	0	16	23.5	Y306M45D1600000T
45	0	20	M25x1.5	Y306450F1200000T	M45x2	0	16	M25x1.5	Y306M45F1600000T
45	16	16	0	Y30645002160000T	M45x2	0	20	0	Y306M4501200000T
45	16	16	10	Y306450A2160000T	M45x2	0	20	10	Y306M45A1200000T
45	16	16	23.5	Y306450D2160000T	M45x2	0	20	23.5	Y306M45D1200000T
45	16	16	M25x1.5	Y306450F2160000T	M45x2	0	20	M25x1.5	Y306M45F1200000T
45	16	20	0	Y30645002C00000T	M45x2	16	16	0	Y306M4502160000T
45	16	20	10	Y306450A2C00000T	M45x2	16	16	10	Y306M45A2160000T
45	16	20	23.5	Y306450D2C00000T	M45x2	16	16	23.5	Y306M45D2160000T
45	16	20	M25x1.5	Y306450F2C00000T	M45x2	16	16	M25x1.5	Y306M45F2160000T
45	20	20	0	Y30645002200000T	M45x2	16	20	0	Y306M4502C00000T
45	20	20	10	Y306450A2200000T	M45x2	16	20	10	Y306M45A2C00000T
45	20	20	23.5	Y306450D2200000T	M45x2	16	20	23.5	Y306M45D2C00000T
45	20	20	M25x1.5	Y306450F2200000T	M45x2	16	20	M25x1.5	Y306M45F2C00000T
50	0	0	0	Y306500000000000T	M45x2	20	20	0	Y306M4502200000T
50	0	0	10	Y306500A000000000T	M45x2	20	20	10	Y306M45A2200000T
50	0	0	23.5	Y306500D000000000T	M45x2	20	20	23.5	Y306M45D2200000T
50	0	0	M25x1.5	Y306500F000000000T	M45x2	20	20	M25x1.5	Y306M45F2200000T
50	0	16	0	Y30650001600000T	1½"BSPP	0	0	0	Y306BA2000000000T
50	0	16	10	Y306500A1600000T	1½"BSPP	0	0	10	Y306BA2A00000000T
50	0	16	23.5	Y306500D1600000T	1½"BSPP	0	0	23.5	Y306BA2D00000000T
50	0	16	M25x1.5	Y306500F1600000T	1½"BSPP	0	0	M25x1.5	Y306BA2F00000000T
50	0	20	0	Y30650001200000T	1½"BSPP	0	16	0	Y306BA201160000T
50	0	20	10	Y306500A1200000T	1½"BSPP	0	16	10	Y306BA2A1160000T
50	0	20	23.5	Y306500D1200000T	1½"BSPP	0	16	23.5	Y306BA2D1160000T
50	0	20	M25x1.5	Y306500F1200000T	1½"BSPP	0	16	M25x1.5	Y306BA2F1160000T
50	16	16	0	Y30650002160000T	1½"BSPP	0	20	0	Y306BA201200000T
50	16	16	10	Y306500A2160000T	1½"BSPP	0	20	10	Y306BA2A1200000T
50	16	16	23.5	Y306500D2160000T	1½"BSPP	0	20	23.5	Y306BA2D1200000T
50	16	16	M25x1.5	Y306500F2160000T	1½"BSPP	0	20	M25x1.5	Y306BA2F1200000T
50	16	20	0	Y30650002C00000T	1½"BSPP	16	16	0	Y306BA202160000T
50	16	20	10	Y306500A2C00000T	1½"BSPP	16	16	10	Y306BA2A2160000T
50	16	20	23.5	Y306500D2C00000T	1½"BSPP	16	16	23.5	Y306BA2D2160000T
50	16	20	M25x1.5	Y306500F2C00000T	1½"BSPP	16	16	M25x1.5	Y306BA2F2160000T
50	20	20	0	Y30650002200000T	1½"BSPP	16	20	0	Y306BA202C00000T
50	20	20	10	Y306500A2200000T	1½"BSPP	16	20	10	Y306BA2A2C00000T
50	20	20	23.5	Y306500D2200000T	1½"BSPP	16	20	23.5	Y306BA2D2C00000T
50	20	20	M25x1.5	Y306500F2200000T	1½"BSPP	16	20	M25x1.5	Y306BA2F2C00000T
60	0	0	0	Y306600000000000T	1½"BSPP	20	20	0	Y306BA202200000T
60	0	0	10	Y306600A000000000T	1½"BSPP	20	20	10	Y306BA2A2200000T
60	0	0	23.5	Y306600D000000000T	1½"BSPP	20	20	23.5	Y306BA2D2200000T
60	0	0	M25x1.5	Y306600F000000000T	1½"BSPP	20	20	M25x1.5	Y306BA2F2200000T
60	0	16	0	Y30660001160000T	2"BSPP	0	0	0	Y306BB2000000000T
60	0	16	10	Y306600A1160000T	2"BSPP	0	0	10	Y306BB2A00000000T
60	0	16	23.5	Y306600D1160000T	2"BSPP	0	0	23.5	Y306BB2D00000000T
60	0	16	M25x1.5	Y306600F1160000T	2"BSPP	0	0	M25x1.5	Y306BB2F00000000T
60	0	20	0	Y30660001200000T	2"BSPP	0	16	0	Y306BB201160000T
60	0	20	10	Y306600A1200000T	2"BSPP	0	16	10	Y306BB2A1160000T
60	0	20	23.5	Y306600D1200000T	2"BSPP	0	16	23.5	Y306BB2D1160000T
60	0	20	M25x1.5	Y306600F1200000T	2"BSPP	0	16	M25x1.5	Y306BB2F1160000T
60	16	16	0	Y30660002160000T	2"BSPP	0	20	0	Y306BB201200000T
60	16	16	10	Y306600A2160000T	2"BSPP	0	20	10	Y306BB2A1200000T
60	16	16	23.5	Y306600D2160000T	2"BSPP	0	20	23.5	Y306BB2D1200000T
60	16	16	M25x1.5	Y306600F2160000T	2"BSPP	0	20	M25x1.5	Y306BB2F1200000T
60	16	20	0	Y30660002C00000T	2"BSPP	16	16	0	Y306BB202160000T
60	16	20	10	Y306600A2C00000T	2"BSPP	16	16	10	Y306BB2A2160000T
60	16	20	23.5	Y306600D2C00000T	2"BSPP	16	16	23.5	Y306BB2D2160000T
60	16	20	M25x1.5	Y306600F2C00000T	2"BSPP	16	16	M25x1.5	Y306BB2F2160000T
60	20	20	0	Y30660002200000T	2"BSPP	16	20	0	Y306BB202C00000T
60	20	20	10	Y306600A2200000T	2"BSPP	16	20	10	Y306BB2A2C00000T
60	20	20	23.5	Y306600D2200000T	2"BSPP	16	20	23.5	Y306BB2D2C00000T
60	20	20	M25x1.5	Y306600F2200000T	2"BSPP	16	20	M25x1.5	Y306BB2F2C00000T
M45x2	0	0	0	Y306M45000000000T	2"BSPP	20	20	0	Y306BB202200000T
M45x2	0	0	10	Y306M45A000000000T	2"BSPP	20	20	10	Y306BB2A2200000T
M45x2	0	0	23.5	Y306M45D000000000T	2"BSPP	20	20	23.5	Y306BB2D2200000T
M45x2	0	0	M25x1.5	Y306M45F000000000T	2"BSPP	20	20	M25x1.5	Y306BB2F2200000T

Because of permanent improvement of our products, drawings, descriptions, features used on these data sheets are for guidance only and can be modified without prior advice

