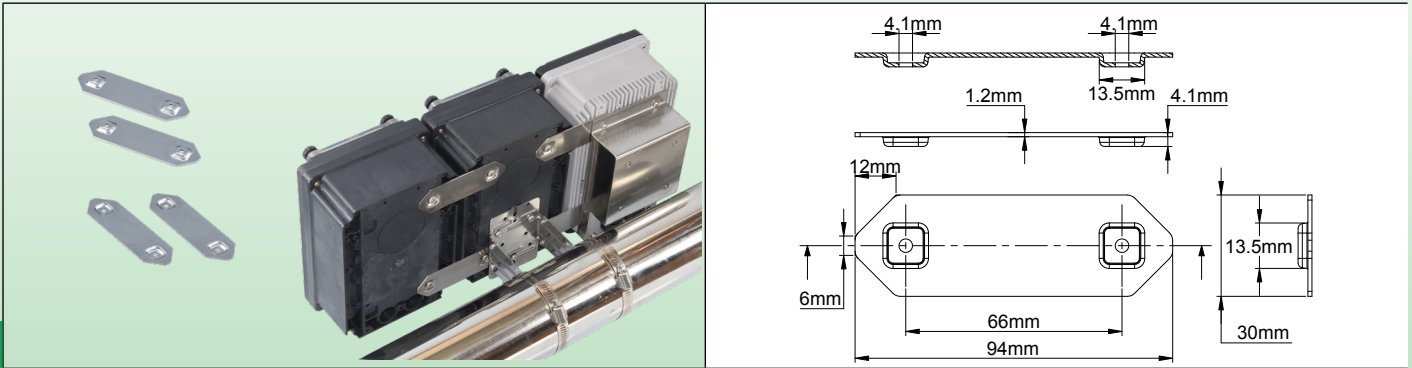


Pipe mounting legs and thermal insulation crossings

Coupling brackets



Coupling brackets for side-by-side boxes on the same heat-tracing stand

This all stainless steel accessory allows the mounting of two or three boxes side by side on the same stand, including SSR boxes with or without a fan.

Application examples :

2 boxes :

- Control + SSR power control
- Control + distribution box
- Control + breaker box

3 boxes :

- Control + SSR power control + breaker box
- Control + SSR power control + distribution box
- Control + breaker box + distribution box

Kit composition: one bottom bracket, one top bracket + 8 screws

Two sets are required if 3 units are mounted side by side

Reference	9BBAE1000004019A
-----------	------------------

