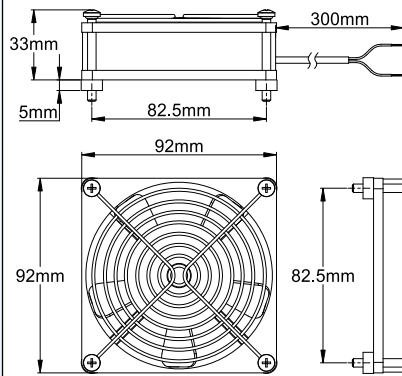


# Solid state relays boxes accessories

## 92 × 92 × 25mm fan for SSR forced cooling

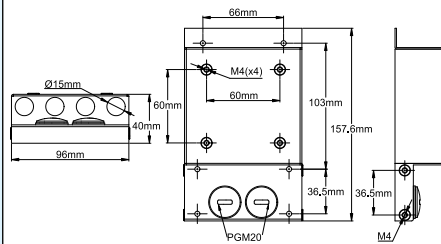
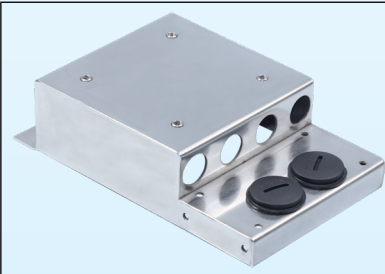


**Power supply:** 220/230VAC  
**Power:** 13W  
**Frequency:** 50 to 60Hz  
**Speed:** 2600 rd/min  
**Noise level:** 20-26 dbA  
**Connection:** 300mm lead wires  
**Flow rate:** 33-65 m<sup>3</sup>/h  
**Temperature maxi:** -10+70°C  
**Body:** aluminum  
 Rear mounting with four M4 screws  
 Includes a protective guard.  
 Use of this fan without guard does not allow wall mounting, but does not prevent from a side by side coupling with other boxes.

Reference	Description
6YFAN9223000	230/240V fan+ guard + 4 screws

Contact us for 120V models

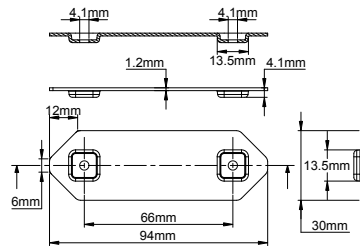
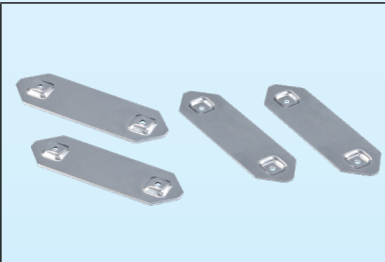
## Protection cover, 40mm thickness, protects the fan against weather



- For side by side mounting on other boxes, using the below coupling brackets.
- For wall mounting with standard wall mounting bracket kits.
- For pipe mounting with standard pipe mounting stands but it generates a 15mm offset.

Reference	Description
6YFAN92230SS	

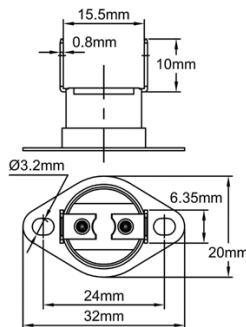
## Coupling brackets for boxes



For side by side mounting of box equipped with a weather protected fan on another box of the same dimensions

Reference	Description
9BBAE1000004019A	

## Safety thermostats for solid state relays (SSR)



**Rating:** 250VAC 16A  
**Connections:** 6.35 × 0.8 vertical terminals  
**Mounting:** loose bracket, two holes 23.8mm spacing, for surface mount with 2 M3 screws  
 Depending on the application of the thermostat, the contacts can open on temperature rise or close on temperature rise  
**Application examples:**  
 1/ Opens on rise at 90°C: cutoff of the control circuit of solid state relays if the heat exchange is insufficient. Automatic restart when the temperature drops to 80°C  
 2/ Closes on temperature rise at 80°C: high alarm safety, Contact re-opens when the temperature drops to 70°C. Designed to control an external alarm and/or an alarm indicator light on the box.  
 3/ Closes on temperature rise at 70°C: switches on the ventilation or an alarm if the temperature goes over 70°C. The ventilation is switched off when the temperature drops below 60°C.

References	Opens	Closes	Notes
4903EJ09010DL6VM	90+/-4°C	80+/-5°C	Opens on temperature rise
4903EK08010DL6VM	70+/-5°C	80+/-4°C	Closes on temperature rise
4903EK07010CL6VM	60+/-4°C	70+/-3°C	Closes on temperature rise

Many other available set points, contact us



Contact us

Web: [www.ultimheat.com](http://www.ultimheat.com)

Cat3-3-10-5