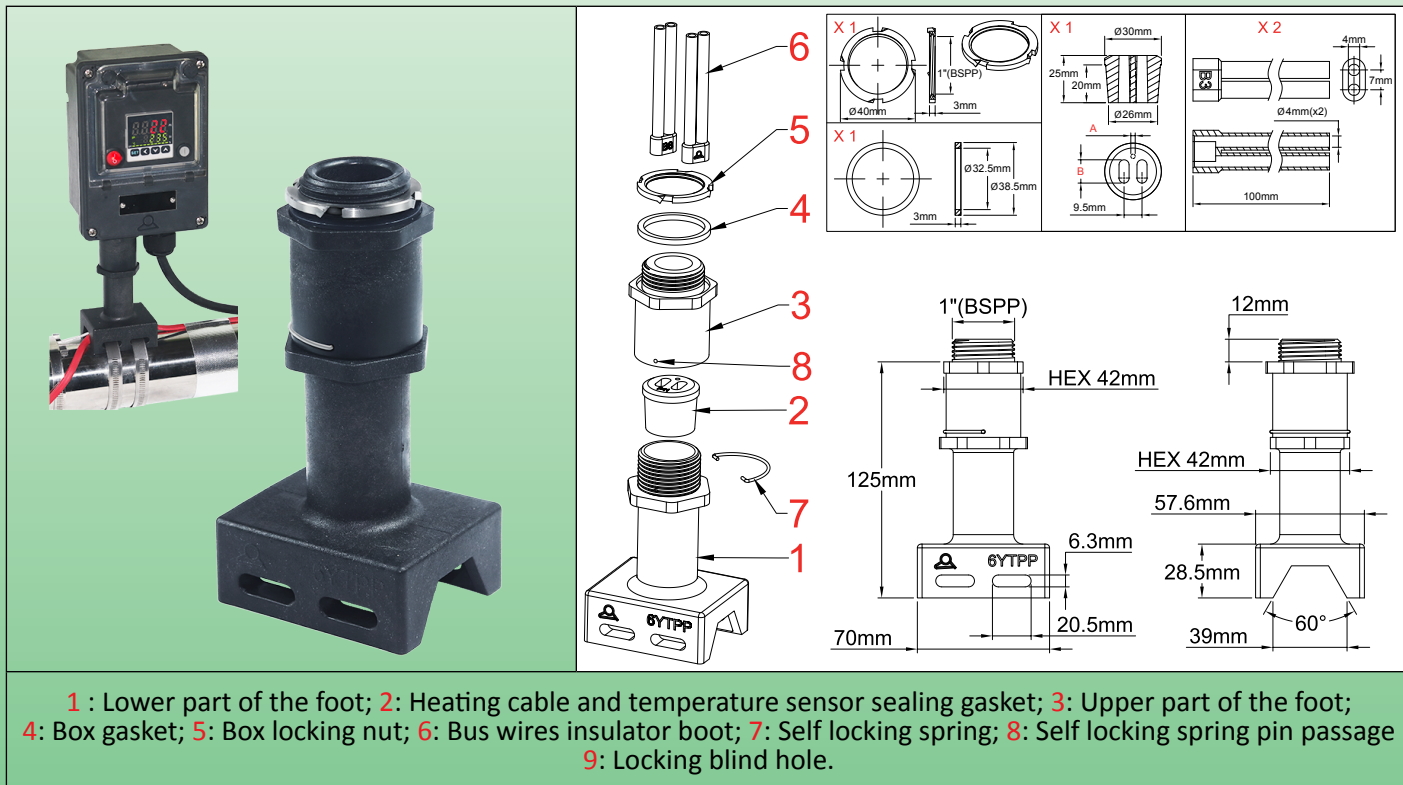


## Pipe mounting legs and thermal insulation crossings

Heat tracing pipe mounting feet for connection boxes, includes gasket for flat self-regulating cables up to 6 x13mm, and for temperature sensor. **Self-locking of the gasket tightening. (1" thread).**

### Type 6YTPP



### Applications

These PPS feet allow mounting of heating cable connection boxes on the pipes, keeping a space of about 120 mm with the pipes, which allows thermal insulation and its protection to be installed. The foot also serves as a **waterproof passage for one or two heating cables and possibly a temperature sensor cable**. The tightening of the seal is self-locking to avoid prohibited unscrewing.

### Main features

**Boot material:** PPS (Polyphenyl sulphide). This hard, semi-crystalline material has exceptional chemical resistance, good thermal stability and high resistance to fire and high temperatures.

**Sealing gasket:** Silicone, with many possible combinations of cable holes section. Special dimensions on request.

**Striped bus wire insulation boot:** Supplied in standard.

**Assembly on the box:** By a 32.5 mm diameter hole drill. The tightening is done by a grooved nut, with locking lugs. In addition to a large part of the boxes in this catalog, these feet are also compatible **with all boxes available on the market** whose size allows to drill a 32.5mm hole on one of their faces.

**Pipe mounting:** By 2 metal hose clamps or by 2 Nylon cable ties.

### Principales references

Reference	Gasket type	Compatibility with products of this catalogue*
6YTPPCP9801B32	6YTRP01	Y29C, Y29D, Y7PB13D, Y8W-Z
6YTPPCP9811B32	6YTRP11	Y29C, Y29D, Y7PB13D, Y8W-Z
6YTPPCP9821B32	6YTRP21	Y29C, Y29D, Y7PB13D, Y8W-Z
6YTPPCP9802B32	6YTRP02	Y29C, Y29D, Y7PB13D, Y8W-Z
6YTPPCP9812B32	6YTRP12	Y29C, Y29D, Y7PB13D, Y8W-Z
6YTPPCP9822B32	6YTRP22	Y29C, Y29D, Y7PB13D, Y8W-Z

\* These feet are also compatible **with all boxes available on the market** whose size allows to drill a 32.5mm hole on one of their faces.



Contact us

Web: [www.ultimheat.com](http://www.ultimheat.com)

Cat3-3-9-9

# Pipe mounting legs and thermal insulation crossings

## Main waterproof foot sealing gaskets \*

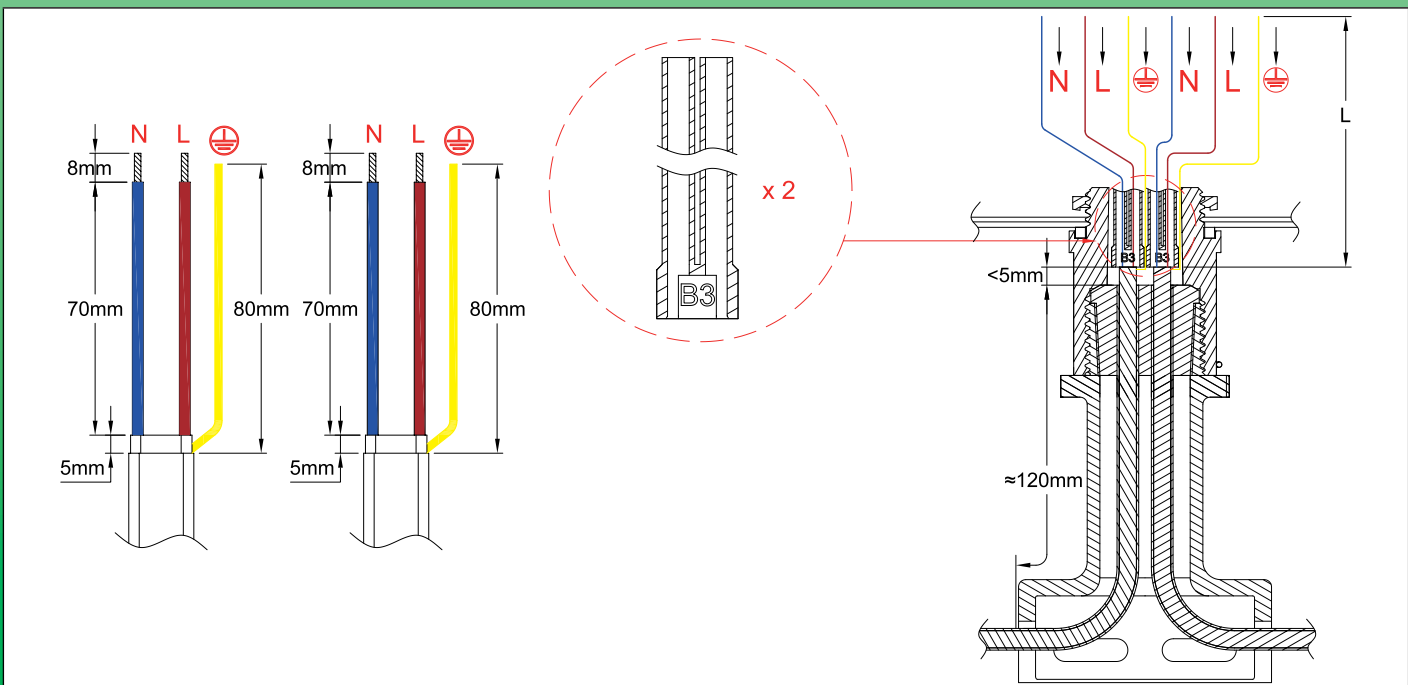
	A min.	A max.	B max.	B min.	C max.	C min.	Reference of the component **	Code in the leg reference
	3mm	2mm	11mm	9.5mm	3.5mm	2.5mm	6YTRP01	01
	3mm	2mm	13mm	11mm	6mm	4mm	6YTRP11	11
	3mm	2mm	9.5mm	8mm	6mm	5mm	6YTRP21	21
	0mm	0mm	11mm	9.5mm	3.5mm	2.5mm	6YTRP02	02
	0mm	0mm	13mm	11mm	6mm	4mm	6YTRP12	12
	0mm	0mm	9.5mm	8mm	6mm	5mm	6YTRP22	22

\* The sealing gaskets are delivered with a plug allowing to close one of the 2 orifices for the heating cables, for cases where the foot uses only one heating cable

\*\* This reference must be used to purchase the sealing gasket alone as a spare part.

## Stripping dimensions of heating cables.

(More detailed instructions are available in the technical introduction)



Because of permanent improvement of our products, drawings, descriptions, features used on these data sheets are for guidance only and can be modified without prior advice



# Pipe mounting legs and thermal insulation crossings

## Assembly steps



Because of permanent improvement of our products, drawings, descriptions, features used on these data sheets are for guidance only and can be modified without prior advice



Contact us

Web: [www.ultimheat.com](http://www.ultimheat.com)

Cat3-3-9-11