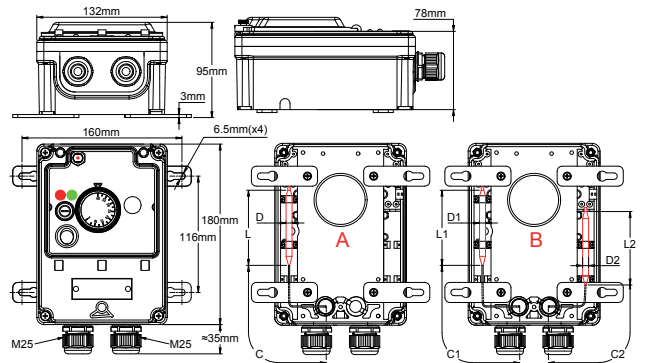


# Y6, Y7, Y8 types temperature control boxes Mechanical thermostats types

## Main features

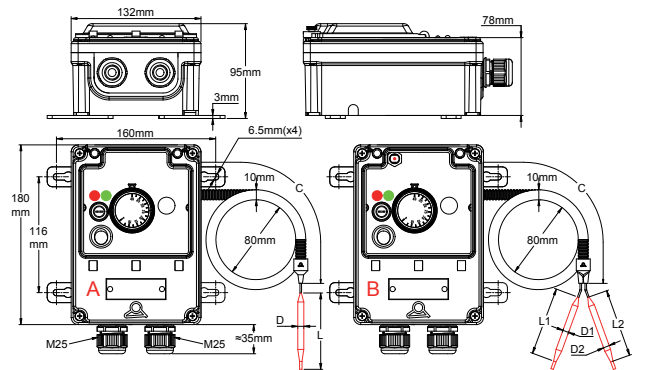
These products come in 4 different dimensional configurations, in control (One bulb) or control + high limit safety (2 bulbs)

**Y8**  
Ambient temperature measurement



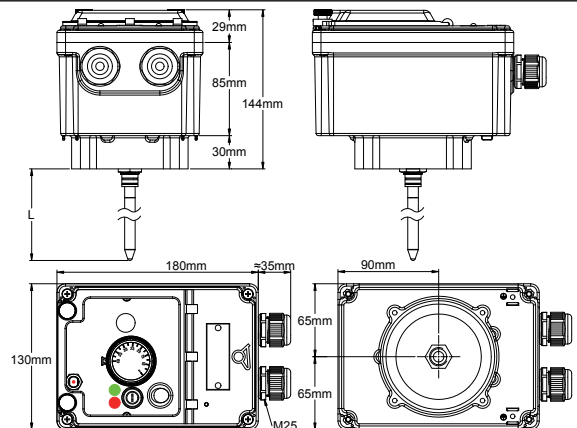
A: One bulb model, temperature control only.  
B: 2 Bulbs models, Temperature control and manual reset high limit.

**Y8**  
Bulb and capillary remote measurement

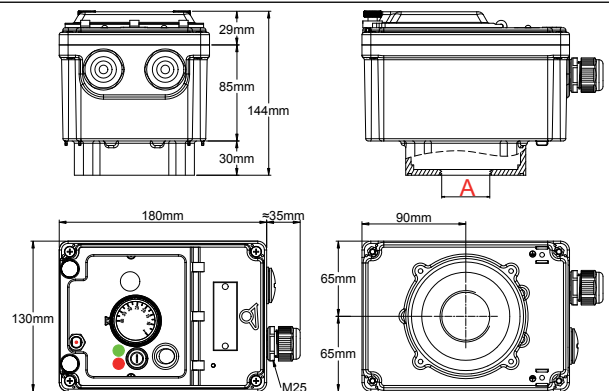
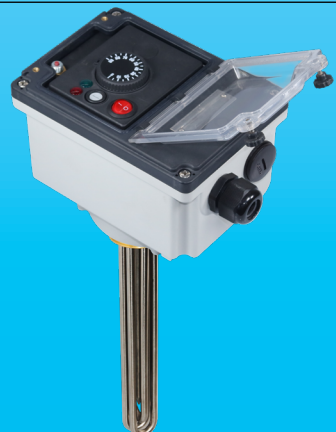


A: One bulb model, temperature control only.  
B: 2 Bulbs models, Temperature control and manual reset high limit.

**Y6**  
Rear rod measurement



**Y7**  
Measurement on rear mounted immersion heater  
(We do not supply the immersion heater)



A: 3/8 to M77 thread on request

Because of permanent improvement of our products, drawings, descriptions, features used on these data sheets are for guidance only and can be modified without prior advice



Contact us

Web: [www.ultimheat.com](http://www.ultimheat.com)

Cat3-3-7-3

# Y6, Y7, Y8 types temperature control boxes

## Mechanical thermostats types

### Main advantages:

- The simplest and most economical control systems of the Y6, 7, 8 electromechanical temperature controls range.
- Heavy duty housing for outside use, IP65 and IK10. PA66 for Y8 and aluminum for Y6 and Y7
- Instinctive understanding of the setting by the end customer.
- It has proven reliability, and a good immunity to power supply problems.

### Standard equipment:

- Knob with adjustable stop for positioning a mechanical limit at high or low setting.
- Red and green lights, indicating 230V in and out voltage.
- Fuse for internal relay circuit protection (When present).
- Illuminated on-off switch is standard on types with relays or relay board.
- Knob printed in °C
- 4 wall mounting removable legs
- Connection block with 5 terminals for 6 mm<sup>2</sup> wires and 5 terminals for 2.5 mm<sup>2</sup> wires.

Internal wiring provides connection between thermostat capillary and ground terminal.

The connection block is equipped with a jumper between terminals 1 and 2, it allows connecting a safety device, a timer, or an external wired remote control.

On versions using power relay(s) this jumper is on the power relay coil circuit. This external connection is not available on 3 poles models without relay.

### Contact action (Types with manual reset thermostat option):

Versions with manual reset thermostat are multiple, because of the many possible configurations. The manual reset thermostat can be SPST, DPST, 3PST failsafe or standard. Single pole thermostats can be coupled to a SPST or DPST or 3 pole ST power relay, or to a 3 poles relay board. The choice of different configurations depends on the final application, and the requirements to use single poles or multiple pole switching systems, independent or not. Minimum calibration temperature for manual reset thermostats is 40 °C. (60°C for fail safe versions). In standard, these manual reset thermostats are calibrated at 20°C more than the maximum control thermostat setting. Other values on request. With rare exceptions, their contact action is open on temperature rise, without change over.

### Cables output:

- Cable gland output board is equipped in standard with one or two cable glands.
- The two back side M20 X 1.5 outputs are equipped with cable glands with silicone gasket to seal the temperature sensors outlet.
- When the Y8 type is used with backside accessories, the version to use is the distant measurement one, and capillary protection tube must be removed.

### Standard Accessories:

10 PA66 red plastic seals, English-French installation manual.

### Options:

- Infrared remote control
- Enclosure heater
- °F knob
- Illuminated on-off switch (This option reduces the electrical rating to 12A in no relay versions, and is not available on models with 3 poles without relay and models with shaft switch)

