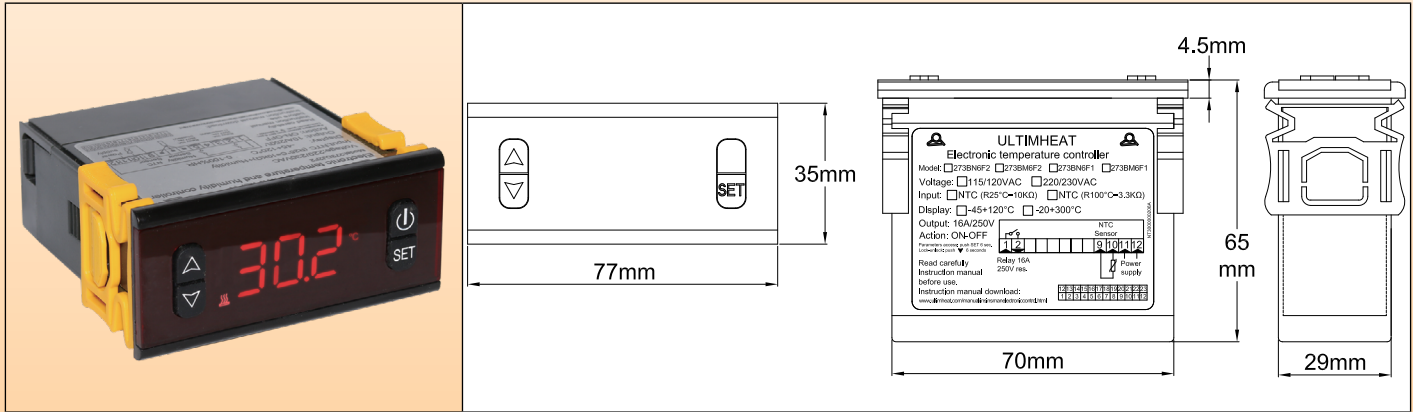


# 77 × 35mm electronic temperature controllers, digital display, panel mounting, NTC, Pt100 RTD or K thermocouple sensor

Temperature range	Mounting	Adjustment	Sensor	Action type	Types
-30+200°C (-20+390°F)	Panel mounting in 71 × 29mm cut-out	Digital	NTC thermistor or Pt100 RTD or K thermocouple	On-Off	<b>273</b>



## Applications

This electronic temperature controller with **the simplest and the most instinctive setting by end user** was designed for easy incorporation on control panels. It has a very simple user interface with a set point change without password, using the “up” and “down” keys. It can be used by untrained operators.

**End user has access to set point and differential setting.**

## Main features

**Dimensions:** 77 × 35 × 60mm. Board hole cutting 71 × 2 9mm.

**Compatible temperature sensors:**

- The model with NTC input, uses a thermistor with R @ 25°C value: 10KΩ (± 1%), B @ 25/50°C : 3380KΩ (± 1%).
- Pt100 and thermocouple K.

**Action:** On-Off with adjustable differential.

**Output:** Relay with 16A or 10A resistive according to models.

**Alarm:** 5A alarm relay on K thermocouple model.

**Display:** In °C

**Power supply:** AC 220-230V 50-60Hz

**Accuracy:** ± 1°C (± 2°F) or 0.3% end scale ± one digit.

**Auto test:** Alarm display of high or low scale, and open sensor circuit detection.

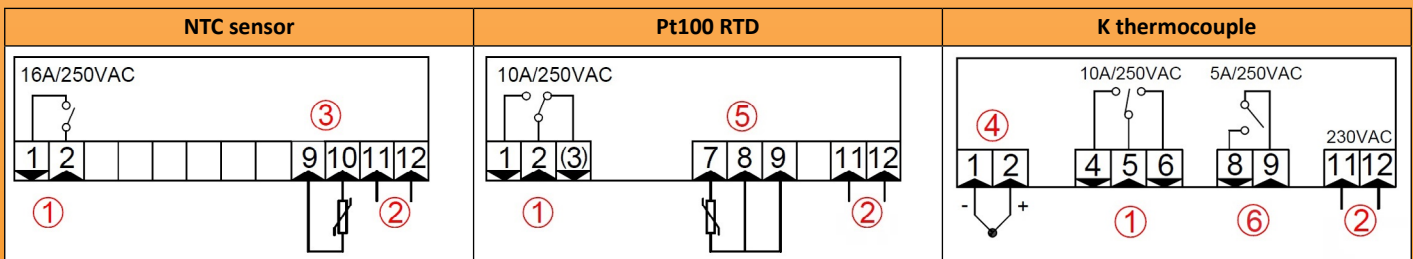
**Ambient:** temperature from -10 to 60°C, relative humidity from 20 to 85%, non-condensing.

**Resolution:** 1° (0.1° in the range -19.9° to 99.9° for the model -45 + 120°C )

## Main part numbers (230V models)

Part numbers	Temperature range	Sensor	Rating of the main output relay
<b>273BN6F2</b>	-45+120°C	NTC	16A
<b>273BP0F2</b>	-150+550°C	Pt100	10A
<b>273BK1F2</b>	0-999°C	K	10A

## Wiring



1: Relay output; 2: 230V AC power supply; 3: NTC sensor; 4: K thermocouple sensor; 5: Pt100 sensor; 6: Alarm relay output.



Contact us

Web: [www.ultimheat.com](http://www.ultimheat.com)

Cat3-3-5-7