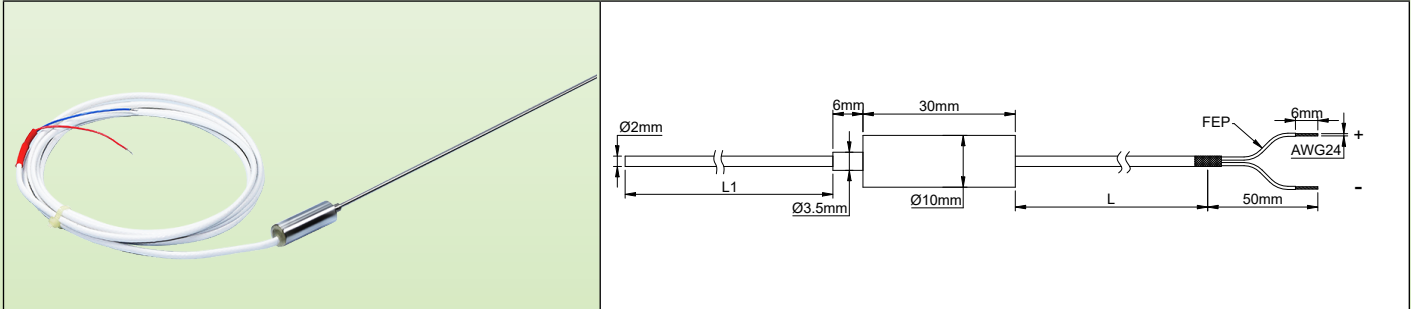


Usual temperature sensors for applications with electronic temperature controls and control boxes

High temperature and fast response K thermocouple sensor

Temperature range	Cable insulation	Probe protection	Temperature sensing device	Signal type	Type
-40+800°C	FEP and metal braid	Refractory stainless steel	K thermocouple	Millivolts	TPR2



Main applications

High temperature measurement with fast response time or when the probe must be bended.

Main Features

Probe: Dia. 2mm, SiO₂ filled, in refractory stainless steel.

Temperature range: -40°C +800°C.

Wires: 2 × 0.35mm², FEP insulated, with nickel plated braid.

Temperature curve: according to EN 60584-1 and IEC 584-1.

Accuracy and tolerances: Class 2 according to EN 60584-1 and 2, ±2.5°C within -40°C and 333°C.

Polarity (according to DIN 43714): red = positive, blue= negative.

Main part numbers

Part numbers	Wire length (L)	Probe length (L1)
TPR20200R10002E4	1m	200mm
TPR20400R10002E4	1m	400mm
TPR20200R20002E4	2m	200mm
TPR20400R20002E4	2m	400mm

Note: These temperature sensors are not manufactured by Ultimheat, and the information given is that of our suppliers.

Because of permanent improvement of our products, drawings, descriptions, features used on these data sheets are for guidance only and can be modified without prior advice

