


Y6, Y7, Y8 types temperature control boxes

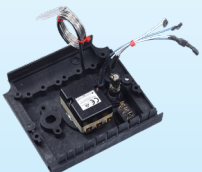
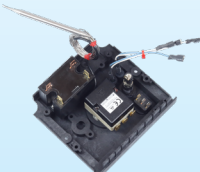

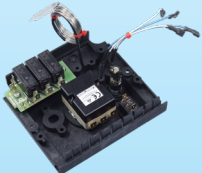
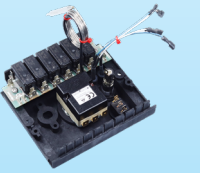
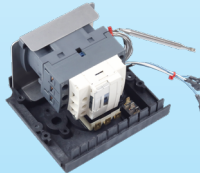
Mechanical thermostats types

1

8G Single pole control thermostat with 12A illuminated switch



Available temperature ranges -35+35°C, 4-40°C, 30-90°C, 30-110°C, 50-200°C, 50-300°C. Standard capillary length for capillary output version: 1.5m.


Power output options		
 A SPDT 16A 250V	 B SPDT 16A 250V + 1 x 30A 250V relay	 C SPDT 16A 250V + 2 x 25A 250V relay
 D SPDT 16A 250V + 3 x 16A 250V board	 E SPDT 16A 250V + 6 x 16A 250V board	 F SPDT 16A 250V + 3 x 25A 250V/440V power contactor (only on Y6 and Y7, not available on Y8)

Main references with A option


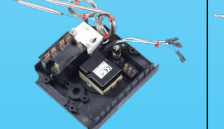


Temperature ranges (°C)	Ambient bulb version	Distant bulb version	300 mm long rear side rod version*	Immersion heater version**
-35+35	Y8WKCA320B0011UA	Y8WKCC320B0031UA	Y6WKCR320B00F1UA	Y7WKCH320B00M1UH
4-40	Y8WKDA320B0011UA	Y8WKDC320B0031UA	Y6WKDR320B00F1UA	Y7WKDH320B00M1UH
30-90		Y8WKEC320B0031UA	Y6WKER320B00F1UA	Y7WKEH320B00M1UH
30-110		Y8WKFC320B0031UA	Y6WKFR320B00F1UA	Y7WKFH320B00M1UH
50-200		Y8WKG320B0031UA	Y6WKGR320B00F1UA	Y7WKGH320B00M1UH
50-300		Y8WKHC320B0031UA	Y6WKHR320B00F1UA	Y7WKHH320B00M1UH

2

8G Single pole control thermostat with 12A illuminated switch with single pole manual reset fail safe thermostat



Available temperature ranges -35+35°C, 4-40°C, 30-90°C, 30-110°C, 50-200°C, 50-300°C. Standard capillary length for capillary output version: 1.5m.

Power output options			
 A SPDT 16A 250V + SPNC 16A 250V manual reset	 B SPDT 16A 250V + SPNC 16A 250V manual reset + 2 x 25A 250V relay	 C SPDT 16A 250V + SPNC 16A 250V manual reset+ 3 relays 16A 250V board	 D SPDT 16A 250V + 3 x 25A 250V/440V power contactor (only on Y6 and Y7, not available on Y8)

Main references with A option

Temperature ranges (°C)	High limit calibration (°C)	Ambient bulb version	Distant bulb version	300 mm long rear side rod version*	Immersion heater version**
-35+35	60	Y8WKCB320B0P11UA	Y8WKCE320B0P31UA	Y6WKCR320B0PF1UA	Y7WKCH320B0PM1UH
4-40	60	Y8WKDB320B0L11UA	Y8WKDE320B0L31UA	Y6WKDR320B0LF1UA	Y7WKDH320B0LM1UH
30-90	110		Y8WKEE320B0L31UA	Y6WKER320B0LF1UA	Y7WKEH320B0LM1UH
30-110	130		Y8WKFE320B0L31UA	Y6WKFR320B0LF1UA	Y7WKFH320B0LM1UH
50-200	220		Y8WKG320B0L31UA	Y6WKGR320B0LF1UA	Y7WKGH320B0LM1UH
50-300	320		Y8WKHE320B0L31UA	Y6WKHR320B0LF1UA	Y7WKHH320B0LM1UH

Because of permanent improvement of our products, drawings, descriptions, features used on these data sheets are for guidance only and can be modified without prior advice



Contact us


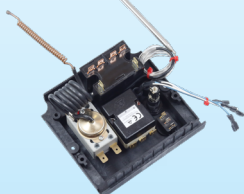
Web: www.ultimheat.com

Cat3-3-7-5

Y6, Y7, Y8 types temperature control boxes Mechanical thermostats types

3

8G Single pole thermostat with 12A illuminated switch + double pole manual reset fail safe thermostat


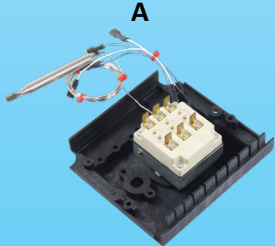
 <p>Available temperature ranges -35+35°C, 4-40°C, 30-90°C, 30-110°C. Standard capillary length for capillary output version: 1.5m for control. 900mm for manual reset</p>	Power output options	
	<p>A</p>  <p>SPDT 15A 250V + DPNC 20A 250V manual reset</p>	<p>B</p>  <p>SPDT 15A 250V + DPNC 20A 250V manual reset + 2 x 25A 250V relay</p>

Main references with A option

Temperature ranges (°C)	High limit calibration (°C)	Ambient bulb version	Distant bulb version	300 mm long rear side rod version*	Immersion heater version**
-35+35	60	Y8WKCB320B0U11UA	Y8WKCE320B0U31UA	Y6WKR320B0UF1UA	Y7WKCH320B0UM1UH
4-40	60	Y8WKDB320B0T11UA	Y8WKDE320B0T31UA	Y6WKDR320B0TF1UA	Y7WKDH320B0TM1UH
30-90	110		Y8WKEE320B0T31UA	Y6WKER320B0TF1UA	Y7WKEH320B0TM1UH
30-110	130		Y8WKFE320B0T31UA	Y6WKFR320B0TF1UA	Y7WKFH320B0TM1UH

4

3 pole control thermostat (without manual reset thermostat)

 <p>Available temperature ranges -35+35°C, 4-40°C, 30-90°C, 30-110°C, 50-200°C, 50-300°C. Standard capillary length for capillary output version: 1.5m</p>	Power output options	
	<p>A</p>  <p>SPDT 15A 250V + DPNC 20A 250V manual reset</p>	

Main references with A option

Temperature ranges (°C)	Ambient bulb version	Distant bulb version	300 mm long rear side rod version*	Immersion heater version**
-35+35	Y8WKCB3420B0011UA	Y8WKCC340B0034UA	Y6WKR340B00F4UA	Y7WKCH340B00M4UH
4-40	Y8WKDB340B0011UA	Y8WKDC340B0034UA	Y6WKDR340B00F4UA	Y7WKDH340B00M4UH
30-90		Y8WKEC340B0034UA	Y6WKER340B00F4UA	Y7WKEH340B00M4UH
30-110		Y8WKFC340B0034UA	Y6WKFR340B00F4UA	Y7WKFH340B00M4UH
50-200		Y8WKG340B0034UA	Y6WKGR340B00F4UA	Y7WKG340B00M4UH
50-300		Y8WKHC340B0034UA	Y6WKHR340B00F4UA	Y7WKHH340B00M4UH


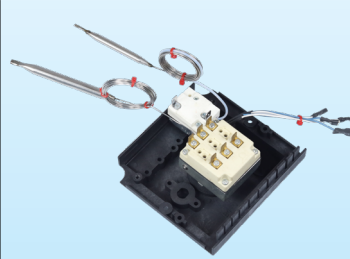
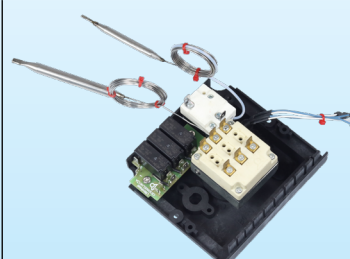
Because of permanent improvement of our products, drawings, descriptions, features used on these data sheets are for guidance only and can be modified without prior advice



Y6, Y7, Y8 types temperature control boxes Mechanical thermostats types

5

3 pole control thermostat + manual reset high limit thermostat

 <p>Available temperature ranges -35+35°C, 4-40°C, 30-90°C, 30-110°C. 50-200°C, 50-300°C. Standard capillary length for capillary output version: 1.5m</p>	Power output options	
	 <p>3PNC 16A 250V + SPNC 16A 250V manual reset</p>	 <p>3PNC 16A 250V + SPNC 16A 250V manual reset + 3 relays 16A 250V board</p>

Main references with A option

Temperature ranges (°C)	High limit calibration (°C)	Ambient bulb version	Distant bulb version	300 mm long rear side rod version*	Immersion heater version**
-35+35	60	Y8WKCA340B0P14UA	Y8WKCE340B0P34UA	Y6WKCR340B0PF4UA	Y7WKCH340B0PM4UH
4-40	60	Y8WKDA340B0L14UA	Y8WKDE340B0L34UA	Y6WKDR340B0LF4UA	Y7WKDH340B0LM4UH
30-90	110		Y8WKEE340B0L34UA	Y6WKER340B0LF4UA	Y7WKEH340B0LM4UH
30-110	130		Y8WKFE340B0L34UA	Y6WKFR340B0LF4UA	Y7WKFH340B0LM4UH
50-200	220		Y8WKGE340B0L34UA	Y6WKGR340B0LF4UA	Y7WKGH340B0LM4UH
50-300	320		Y8WKHE340B0L34UA	Y6WKHR340B0LF4UA	Y7WKHH340B0LM4UH

* Other standard rod length: 230, 450, 600 mm

** Without center hole, nor thread. Specify hole diameter and pitch on order

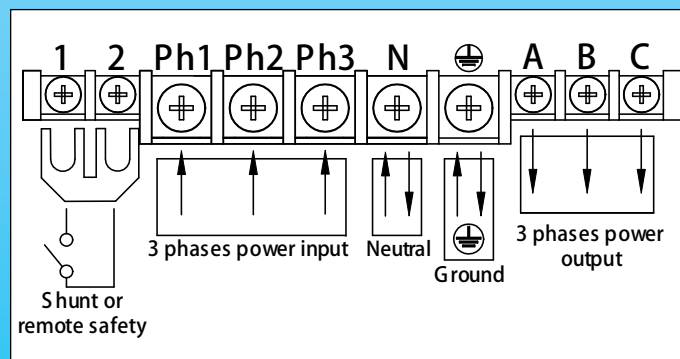
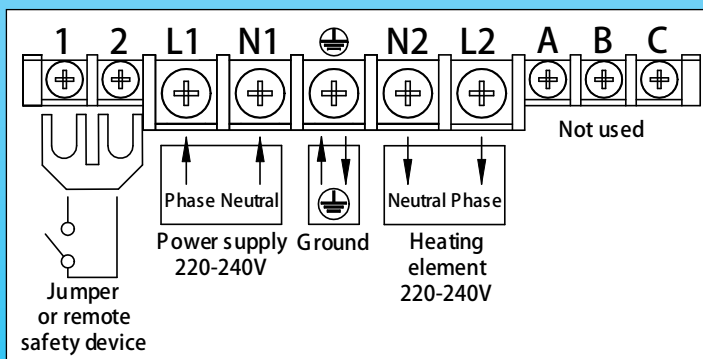
Other options not described in these tables: cable glands, remote control, cabinet heater. Consult our commercial department for full references.

Knob printing: see thermostats technical data sheets in this catalogue

Wiring diagrams

Single pole thermostat or single pole thermostat with relay, or with single pole and double pole high limit

3 pole thermostat and single pole thermostat with 3 pole relay



Because of permanent improvement of our products, drawings, descriptions, features used on these data sheets are for guidance only and can be modified without prior advice



Contact us

Web: www.ultimheat.com

Cat3-3-7-7