

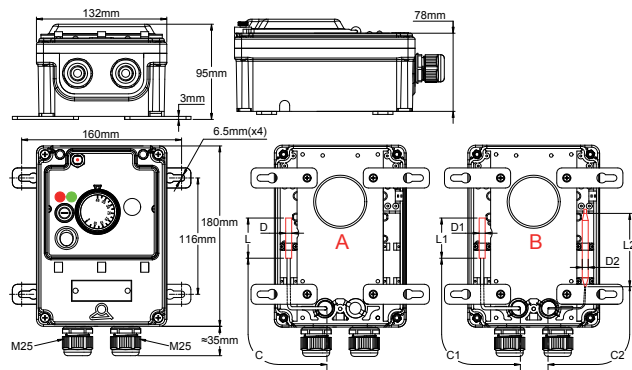
Y6, Y7, Y8 types temperature control boxes

Electronic thermostat types

Main features

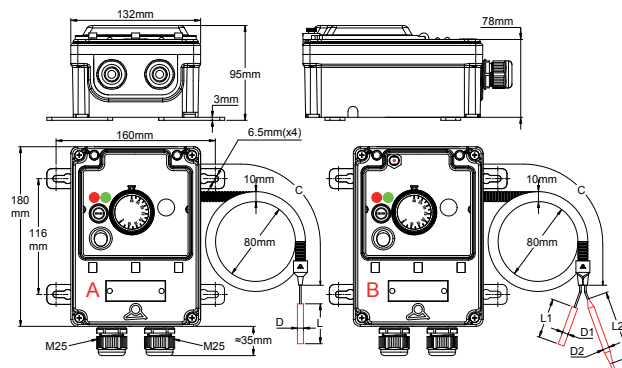
These products come in 4 different dimensional configurations, in control (One sensor) or control + high limit safety (2 sensors or one sensor + one bulb)

Y8
Ambient temperature measurement



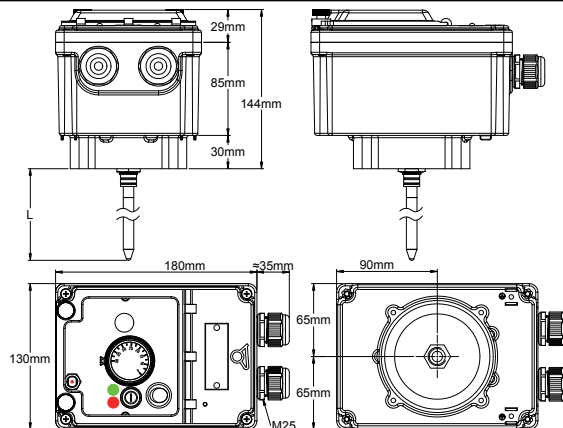
A: One sensor model, temperature control only.
B: 2 sensors models, Temperature control and manual reset high limit.

Y8
Remote measurement

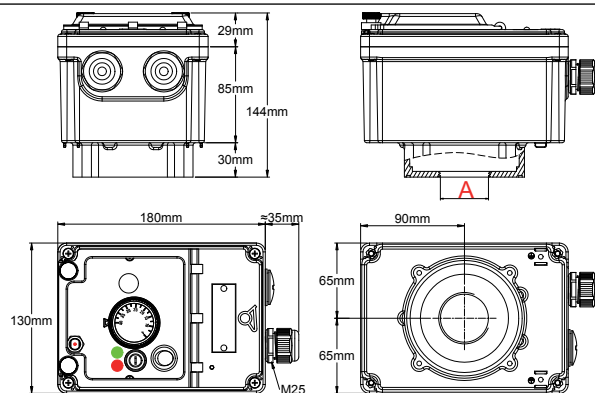


A: One sensor model, temperature control only.
B: 2 sensors models, Temperature control and manual reset high limit.

Y6
Rear rod measurement



Y7
Measurement on rear mounted immersion heater (We do not supply the immersion heater)



A: 3/8 to M77 thread on request

Because of permanent improvement of our products, drawings, descriptions, features used on these data sheets are for guidance only and can be modified without prior advice



Contact us

Web: www.ultimheat.com

Cat3-3-8-3

Y6, Y7, Y8 types temperature control boxes

Electronic thermostat types

Main advantages

- The simplest and most economical control systems of the Y8 electronic room temperature controls range.
- Heavy duty housing for outside use, IP65 and IK10.
- Instinctive understanding of the setting by the end customer.
- Adjustable temperature differential and heating or cooling action switch.

If open circuit or missing temperature sensor and if no power supply, output relay will open (Fail safe action)

Standard equipment:

- Knob with adjustable stop for positioning a mechanical limit at high or low setting.
- Red and green lights, indicating 230V in and out voltage.
- Fuse for internal circuit protection
- Illuminated on-off switch
- Soft grip knob
- 4 wall mounting removable legs (Y8 versions only)
- Connection block with 5 terminals for 6mm² wires and 5 terminals for 2.5mm² wires.

The connection block is equipped with a jumper between terminals 1 and 2, it allows connecting a safety device, a timer, or an external wired remote control.

On versions using power relay(s) this jumper is on the power relay coil circuit.

Controller contact action:

- A switch located under the knob can be used to reverse the contact action (open on temperature rise or close on temperature rise).
- In models with manual reset high limit thermostats, close on rise contact action is not available on manual reset thermostats.
- In models with electronic manual reset controller, it is possible to set an open on temperature rise (high temperature safety) or open on temperature decrease action
- Control action: ON-OFF

Contact action (Types with manual reset option):

Versions with manual reset thermostats are multiple, because of the many possible configurations. The electromechanical manual reset thermostat can be failsafe or standard, and the electronic manual reset controller is failsafe. The choice of different configurations depends on the final application, and the requirements to use single pole or multiple pole switching systems, independent or not.

Minimum calibration temperature for manual reset thermostats is 40°C, with open on temperature rise contact action. Electronic manual reset can be adjusted inside the whole temperature range.

Cable outputs:

- Cables gland output board is equipped in standard with one or two M25 cable glands.
- The two back side M20 × 1.5 outputs are equipped with cable glands with silicone gasket to seal the temperature sensors outlet.
- When the Y8 type is used with backside accessories, the version used is the distance measurement only.

Standard Accessories:

- 10 PA66 red plastic seals, English-French installation manual.
- Temperature sensor is included in the control box (see standard NTC models on other pages of this catalogue)
- For temperature ranges -35+35°C, 4-40°C, 0-10°C, probe is protected by waterproof plastic pocket
- For higher temperature range, probe is protected by stainless steel pocket.

Options:

- Infrared remote control
- Enclosure heater
- °F printed knob

