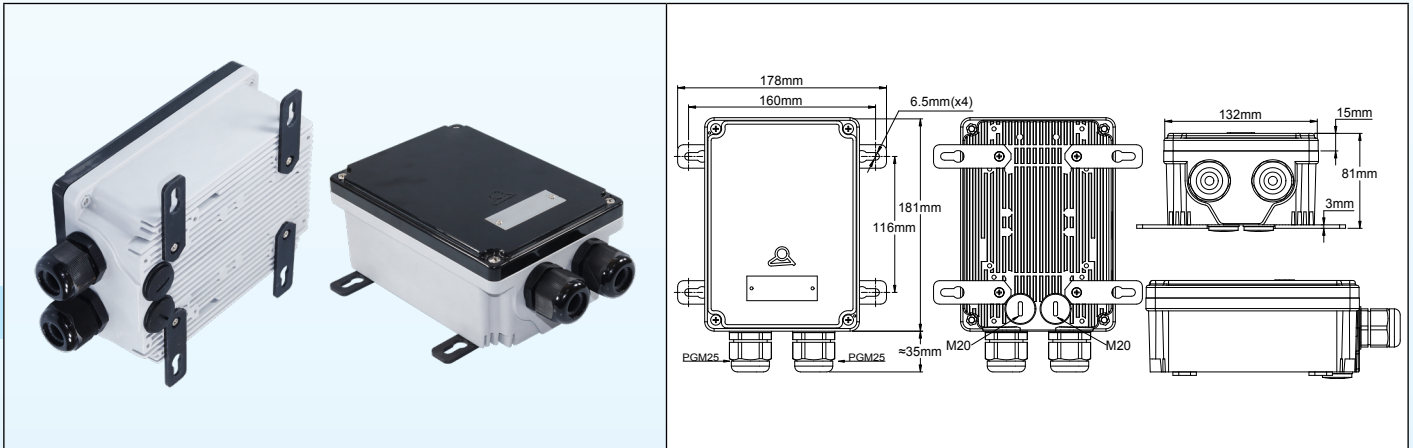


## Solid state relay heat exchanger boxes

The proper functioning of SSRs is related to their cooling and evacuation to the outside of the calories they produce

### Weatherproof enclosure with integrated heat exchanger, for solid state relay power control (SSR).



These sealed aluminum boxes are RAL 7015 epoxy painted. They have the same dimensions than the plastic control boxes, and use flat lids. They use the same wall mounting tabs than plastic models. They have been designed for mounting of single or three phase solid state relays of which the cooling is carried by the fins on the rear face.

**They include the following standard equipment:**

- Two rear side M20 x 1.5 threads, closed with a cap, for connection to the optional rear side fan.
- Tapped holes for mounting up to 4 single phase solid state relays (limited to 3 relays if the plate with internal light is used) or a three-phase solid state relay.
- Two internal locations with M3 tapped holes for fixed setting thermostat with flat bracket. This optional thermostat can be used as high temperature alarm or as limiter.
- An inner slide allows the mounting of a dia. 22mm light holder and an auxiliary 1.5mm<sup>2</sup> terminal block.

**External accessories:**

- M4 tapped holes for assembling wall mounting brackets, or a dia. 92mm forced cooling fan and the fan protection cover.
- 2 ISO M25 polyamide glands
- 4 wall mounting brackets

Version with transparent lid, displays the static relay LEDs and temperature alarm light.

#### References of boxes without assembled solid state relay(s)

Reference	Lid	Red flashing alarm light
Y4B00000000020F1	Black PA66 plastic	No
Y4T00000000020F1	Flat transparent polycarbonate	No
Y4T00000000F20F1	Flat transparent polycarbonate	Internal, 240V

**Wiring harness services:** if you wish to get fully equipped and wired SSR power boxes of supplies to the SSR with solid state relays, safety thermostats, external fan, please specify desired combinations, our Wiring Harness Division is available.

#### Assembly examples

2 single phase SSR	3 single phase SSR with alarm thermostat	3 single phase SSR with alarm thermostat, safety thermostat and alarm flashing light	1 three phases SSR with alarm thermostat, safety thermostat and alarm flashing light

