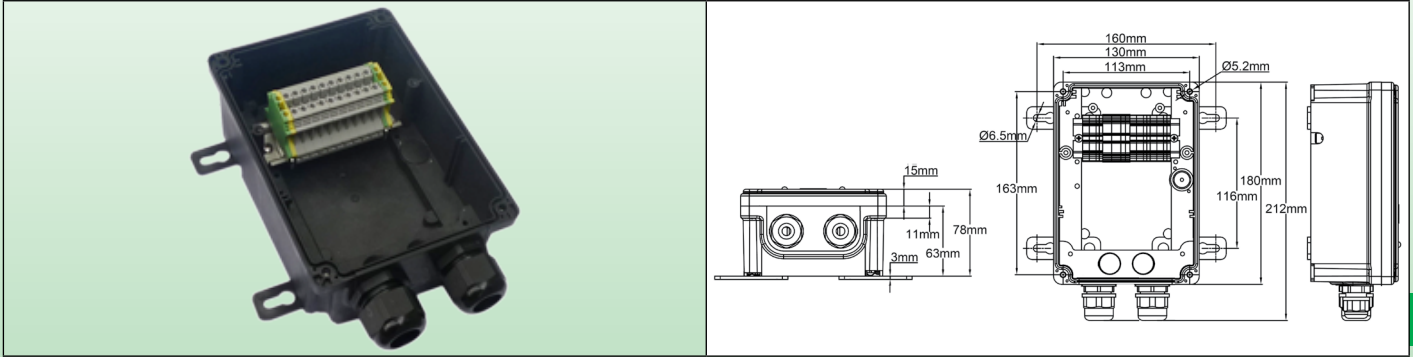


## Distribution boxes, ground fault relay boxes

### Junction or distribution box with cage terminal block.

Din rail mounting



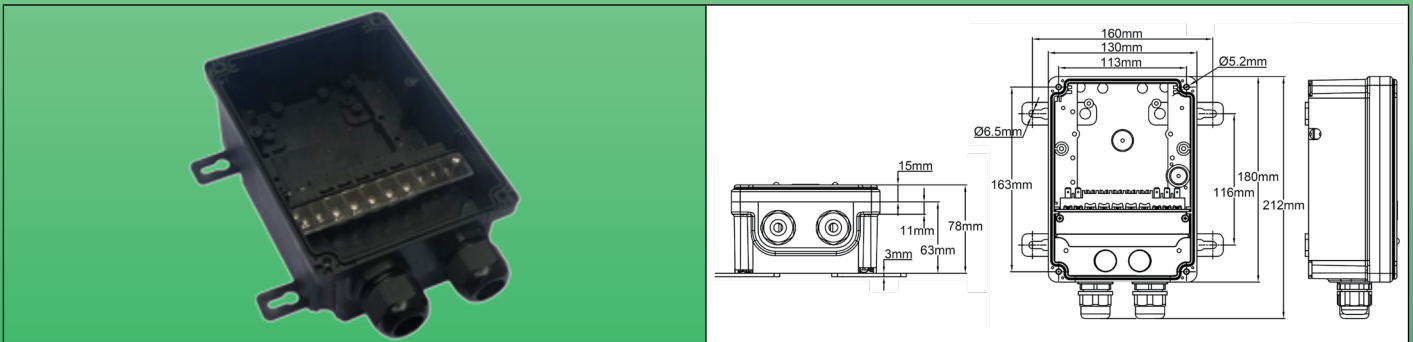
Black opaque lid. The rail, with a clear width of 80mm (100mm for terminal blocks located less than 50mm above the rail), allows the mounting of:

- 18 × 1.5mm<sup>2</sup> cage junction blocks (4.2mm width without separation, 5.7mm with separation)
- 18 × 2.5 or 4.0mm<sup>2</sup> cage junction blocks (6.2mm width without separation, 7.7mm with separation)
- 9 × 6.0mm<sup>2</sup> cage junction blocks (8.0mm width without separation, 9.5mm with separation)
- 7 × 2.5 or 10mm<sup>2</sup> cage junction blocks (10.2mm width without separation, 11.7mm with separation)
- 2 × PGM25
- Din rail omega
- 2 M20 × 1.5 rear outlets sealed with M20 × 1.5 caps and gaskets
- 4 wall mounting movable brackets
- 10 red plastic seals

References	Equipment
Y8B0000S100020J1	Din rail Omega only, clear width 80mm
Y8B0000S110020J1	3 blocks 10mm <sup>2</sup> + 9 blocks 2.5mm <sup>2</sup>
Y8B0000S120020J1	18 blocks 1.5mm <sup>2</sup> (16 phases + 2 grounds)
Y8B0000S130020J1	12 blocks 2.5mm <sup>2</sup> (10 phases+ 2 grounds)
Y8B0000S140020J1	12 blocks 4mm <sup>2</sup> (10 phases+ 2 grounds)
Y8B0000S150020J1	9 blocks 6mm <sup>2</sup> (7 phases + grounds)
Y8B0000S160020J1	7 blocks 10mm <sup>2</sup> (5 phases + 2 grounds)

### Box with Ultimheat terminal block

Can be used as a junction or distribution box or for customer control system integration.



- Ultimheat terminal block 5 × 6mm<sup>2</sup> and 5 × 2.5mm<sup>2</sup> symmetric
- 2 × PGM25
- 2 M20 × 1.5 rear outlets sealed with M20 × 1.5 caps and gaskets
- 4 wall mounting movable brackets
- 10 red plastic seals

References	Equipment
Y8B0001S000020J1	Black lid
Y8T0001S000020J1	Polycarbonate transparent lid
Y8W0001S000020J1	Black lid with transparent polycarbonate window

Because of permanent improvement of our products, drawings, descriptions, features used on these data sheets are for guidance only and can be modified without prior advice



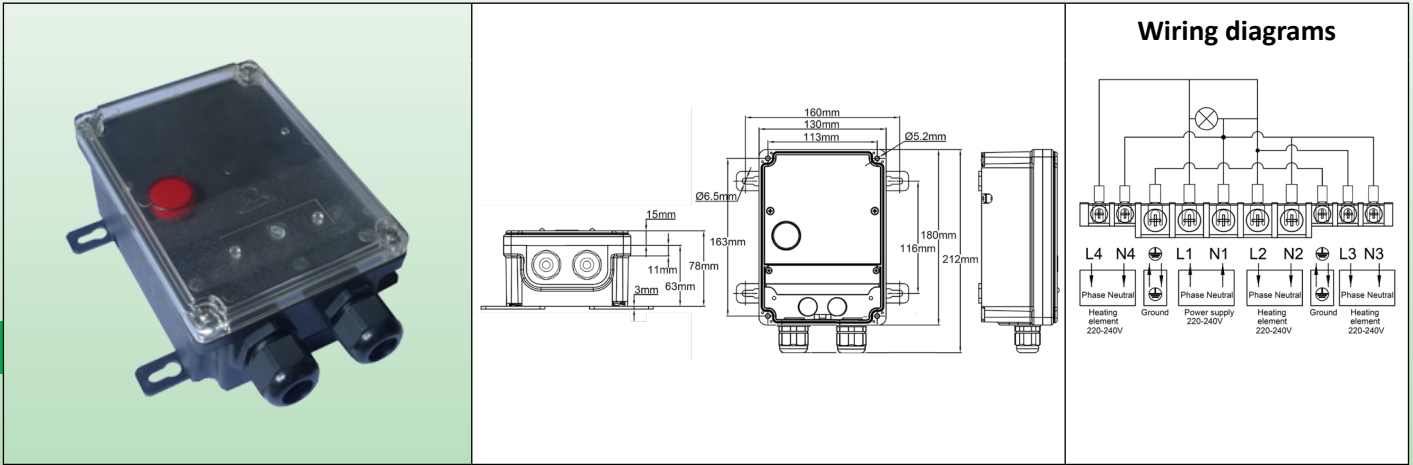
Contact us

Web: [www.ultimheat.com](http://www.ultimheat.com)

Cat3-3-9-5

## Distribution boxes, ground fault relay boxes

### Single phase junction box, 3 pre-wired outputs



**Wiring:** power supply Neutral + Phase + Ground on a 6mm<sup>2</sup> terminal block, and outlets to 3 heating circuit outlets 1.5 or 2.5mm<sup>2</sup>.

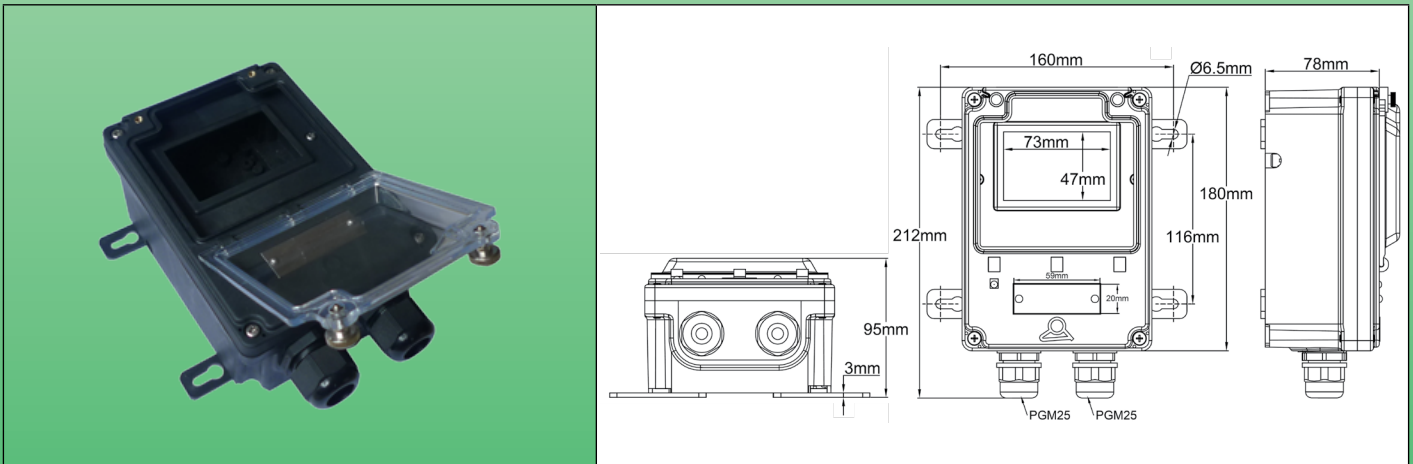
**Indicator lights:** A power supply red light, with high brightness LED is visible under the transparent lid

**The whole wiring is protected against accidental contacts**

- 2 × PGM25
- 2 M20 × 1.5 rear outlets sealed with M20 × 1.5 caps and gaskets
- 4 wall mounting movable brackets
- 10 red plastic seals

Reference	Y8TE303S00002TF1
-----------	------------------

### Box for Ground Fault Circuit Interrupter or Din rail mounting electronic control



Allows mounting of a circuit breaker type Merlin Gerin Multi 9 (UL, CSA, IEC) and equivalent European ranges Vigi C60 or C60 (72mm maximum width = four 18mm modules), or electronic controllers described in this catalogue

**Box basic equipment:**

- 2 × PGM25
- Din rail
- Ground Fault Circuit Interrupter front plate
- 2 M20 × 1.5 rear outlets sealed with M20 × 1.5 caps and gaskets
- Ground block with 4 terminals dia. 5mm
- 4 wall mounting movable brackets
- 10 red plastic seals

**Supplied without GFCI or electronic controller**

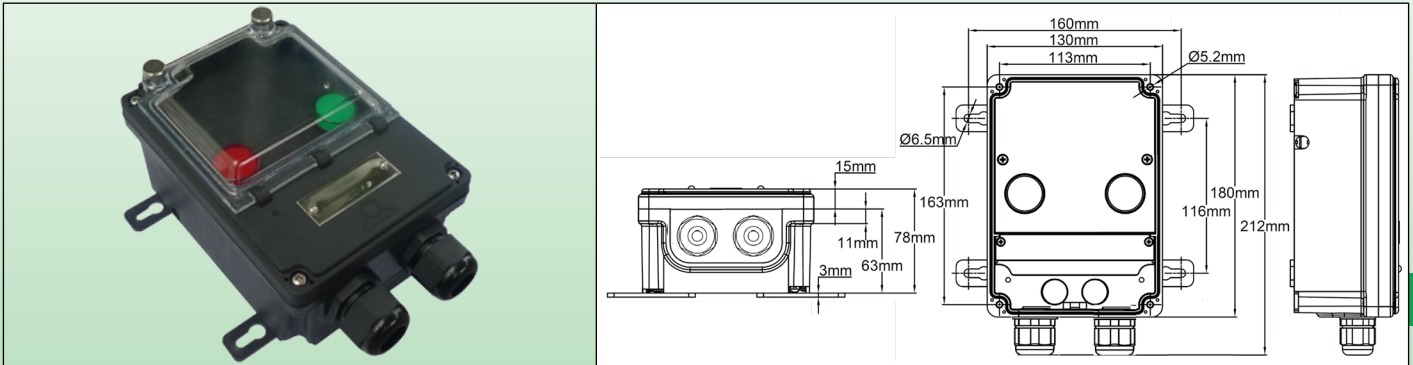
Reference	Y8TE303S00002TF1
-----------	------------------

Because of permanent improvement of our products, drawings, descriptions, features used on these data sheets are for guidance only and can be modified without prior advice



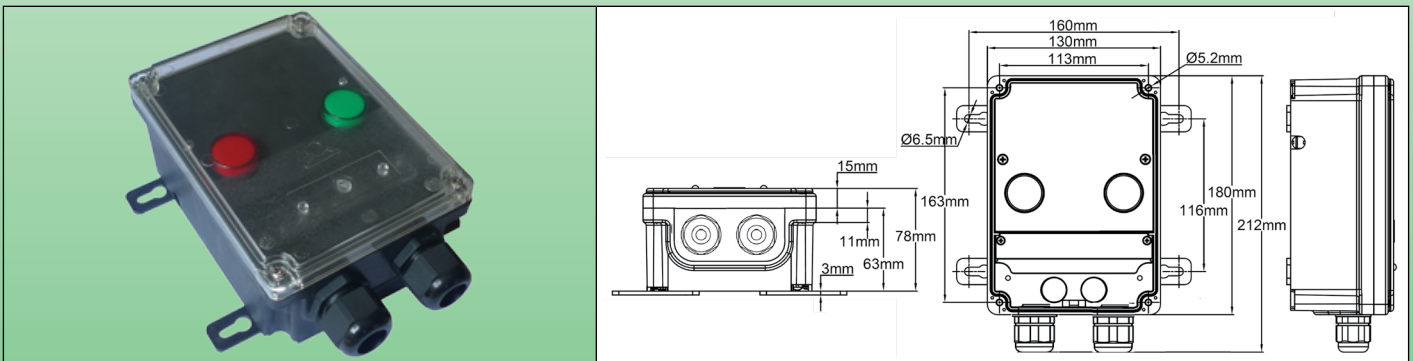
## Distribution boxes, ground fault relay boxes

### Power junction boxes, three phases or three heating elements, with electromagnetic relay, fully wired



3 × 16A (AC1), 250V, Ultimheat terminal block with 5 terminals 2.5mm<sup>2</sup> screws and 5 screw terminals 6mm<sup>2</sup>. Red indicator light for power supply and output green light (250V), transparent lid.

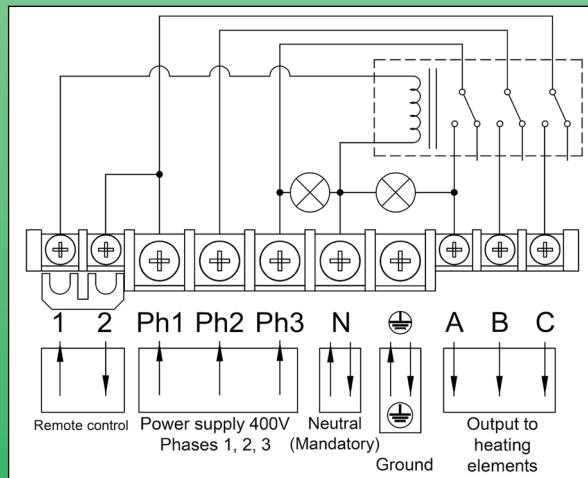
Reference	Y8TE903SC0002PF1
-----------	------------------



3 × 40A (AC1), 250V, Ultimheat terminal block with 10 cage terminals 10mm<sup>2</sup> screws and 5 screw terminals 6mm<sup>2</sup>. Red indicator light for power supply and output green light (250V), transparent lid.

Reference	Y8TE904SJ0002RF1
-----------	------------------

### Wiring diagrams



Because of permanent improvement of our products, drawings, descriptions, features used on these data sheets are for guidance only and can be modified without prior advice



Contact us

Web: [www.ultimheat.com](http://www.ultimheat.com)

Cat3-3-9-7