
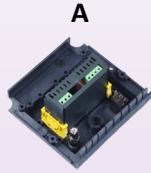
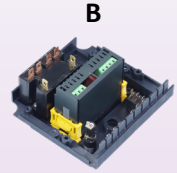
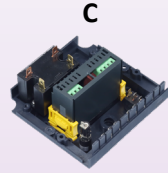
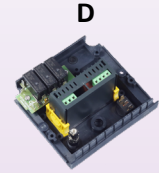



# Y6, Y7, Y8 types temperature control boxes 48 × 48mm, Double display PID Electronic controllers types


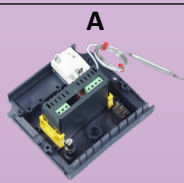
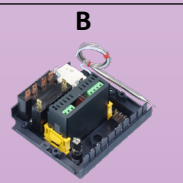
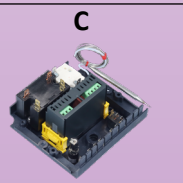
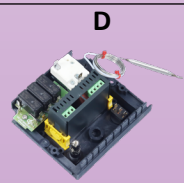
## 1 273 type on-off electronic controller

 <p>Standard sensor cable length for remote sensor version: 2m</p>	Power output options				
	 <p>Electronic controller 10 or 16A 250V</p>	 <p>Electronic controller 10 or 16A 250V + 2 x 25A 250V relay</p>	 <p>Electronic controller 10 or 16A 250V + 1 x 30A 250V relay</p>	 <p>Electronic controller 10 or 16A 250V + 3 relays 16A 250V board</p>	 <p>Electronic controller 10 or 16A 250V + 6 relays 16A 250V board</p>

### Main references

Temperature ranges (°C)	Options*	Ambiant sensor version	Distant sensor version	300 mm long rear side rod version*	Immersion heater version**
-40+120, NTC sensor	A	Y8WHQA3100001AUA	Y8WHQC3100006AUA	Y6WHQR310000FAUA	Y7WHQH310000MAUH
-40+120, NTC sensor	B	Y8WHQA3120001LUA	Y8WHQC3120006LUA	Y6WHQR312000FLUA	Y7WHQH312000MLUH
-40+120, NTC sensor	C	Y8WHQA3110001DUA	Y8WHQC3110006DUA	Y6WHQR311000FDUA	Y7WHQH311000MDUH
-40+120, NTC sensor	D	Y8WHQA3140001HUA	Y8WHQC3140006HUA	Y6WHQR314000FHUA	Y7WHQH314000MHUH
-40+120, NTC sensor	E	Y8WHQA3170001IUA	Y8WHQC3170006IUA	Y6WHQR317000FIUA	Y7WHQH317000MIUH
-50-550, Pt100 sensor	A	Y8WHS3100001AUA	Y8WHSC3100006AUA	Y6WHSR310000FAUA	Y7WHS310000MAUH
-50-550, Pt100 sensor	B	Y8WHS3120001LUA	Y8WHSC3120006LUA	Y6WHSR312000FLUA	Y7WHS312000MLUH
-50-550, Pt100 sensor	C	Y8WHS3110001DUA	Y8WHSC3110006DUA	Y6WHSR311000FDUA	Y7WHS311000MDUH
-50-550, Pt100 sensor	D	Y8WHS3140001HUA	Y8WHSC3140006HUA	Y6WHSR314000FHUA	Y7WHS314000MHUH
-50-550, Pt100 sensor	E	Y8WHS3170001IUA	Y8WHSC3170006IUA	Y6WHSR317000FIUA	Y7WHS317000MIUH
0-999, K thermocouple sensor	A		Y8WHTC3100006BUA	Y6WHTR310000FBUA	Y7WHT310000MBUH
0-999, K thermocouple sensor	B		Y8WHTC3120006MUA	Y6WHTR312000FMUA	Y7WHT312000MMUH
0-999, K thermocouple sensor	C		Y8WHTC3110006EUA	Y6WHTR311000FEUA	Y7WHT311000MEUH
0-999, K thermocouple sensor	D		Y8WHTC3140006HUA	Y6WHTR314000FHUA	Y7WHT314000MHUH
0-999, K thermocouple sensor	E		Y8WHTC3170006IUA	Y6WHTR317000FIUA	Y7WHT317000MIUH

## 2 273 type on-off electronic controller + top side 8L manual reset high limit thermostat

 <p>Standard sensor cable length for remote sensor version: 2m and manual reset capillary length: 1.5m</p>	Options			
	 <p>Electronic controller 10 or 16A 250V + SPNC 16A 250V manual reset</p>	 <p>Electronic controller 10 or 16A 250V + SPNC 16A 250V manual reset + 2 x 25A 250V relay</p>	 <p>Electronic controller 10 or 16A 250V + SPNC 16A 250V manual reset + 1 x 30A 250V relay</p>	 <p>Electronic controller 10 or 16A 250V + SPNC 16A 250V manual reset + 3 x 16A 250V relay board</p>

### Main references

Temperature ranges (°C)	Manual reset calibration temperature (°C)	Options*	Ambiant sensor version	Distant sensor version	300 mm long rear side rod version*	Immersion heater version**	
-40+120, NTC sensor	Must be specified with order	A	Y8WHQB31010L1AUA	Y8WHQE31000L6AUA	Y8WHT31000L6BUA	Y7WHQH31000LMAUH	
-40+120, NTC sensor		B	Y8WHQB31410L1HUA	Y8WHQE31400L6LUA	Y8WHT31200L6LUA	Y7WHQH31400LMLUH	
-40+120, NTC sensor		C	Y8WHQB31110L1DUA	Y8WHQE31100L6DUA	Y8WHT31100L6EUA	Y7WHQH31100LMDUH	
-40+120, NTC sensor		D	Y8WHQB31710L1IUA	Y8WHQE31700L6IUA	Y8WHT31700L6IUA	Y7WHQH31700LMIUH	
-50-550, Pt100 sensor		A	Y8WHSB31010L1AUA	Y8WHSE31000L6AUA	Y6WHSR31000LFAUA	Y7WHS31000LMAUH	
-50-550, Pt100 sensor		B	Y8WHSB31410L1HUA	Y8WHSE31200L6LUA	Y6WHSR31200LFLUA	Y7WHS31200LMLUH	
-50-550, Pt100 sensor		C	Y8WHSB31110L1DUA	Y8WHSE31100L6DUA	Y6WHSR31100LFDUA	Y7WHS31100LMDUH	
-50-550, Pt100 sensor		D	Y8WHSB31710L1IUA	Y8WHSE31700L6IUA	Y6WHSR31700LFIUA	Y7WHS31700LMIUH	
0-999, K thermocouple sensor		A			Y8WHT31000L6BUA	Y6WHTR31000LFBUA	Y7WHT31000LMBUH
0-999, K thermocouple sensor		B			Y8WHT31200L6LUA	Y6WHTR31200LFLUA	Y7WHT31200LMLUH
0-999, K thermocouple sensor		C			Y8WHT31100L6EUA	Y6WHTR31100LFEUA	Y7WHT31100LMEUH
0-999, K thermocouple sensor		D			Y8WHT31700L6IUA	Y6WHTR31700LFIUA	Y7WHT31700LMIUH



Contact us

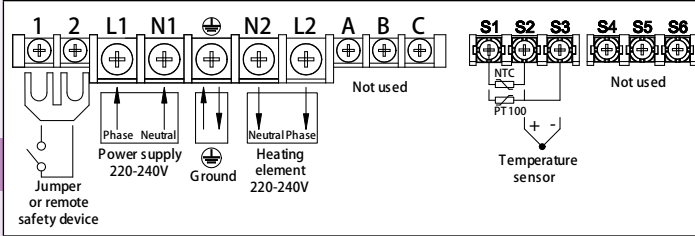
Web: [www.ultimheat.com](http://www.ultimheat.com)

Cat3-3-8-9

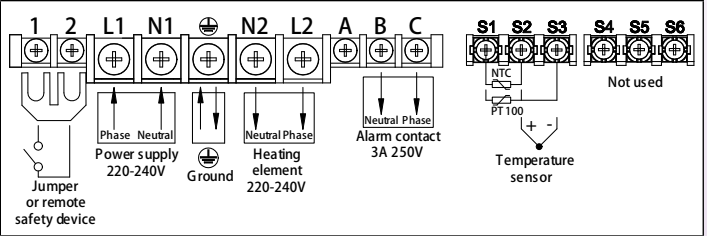
# Y6, Y7, Y8 types temperature control boxes 48 × 48mm, Double display PID Electronic controllers types

## Wiring diagrams (with 5 × 6mm<sup>2</sup> +5×2.5mm<sup>2</sup> connection block)

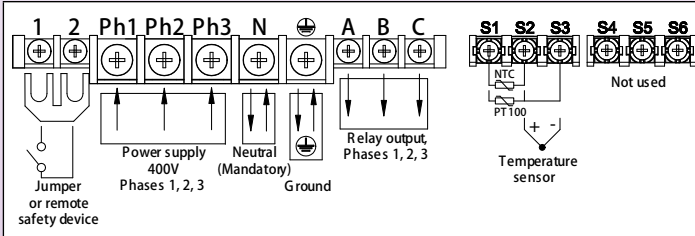
**Single pole circuits, without alarm**



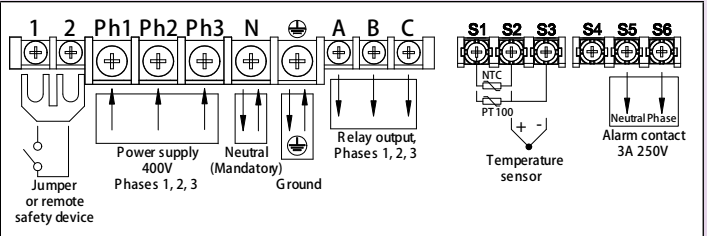
**Single pole circuit, one alarm**



**3 pole circuits, without alarm**



**3 pole circuits, one alarm**



Because of permanent improvement of our products, drawings, descriptions, features used on these data sheets are for guidance only and can be modified without prior advice

