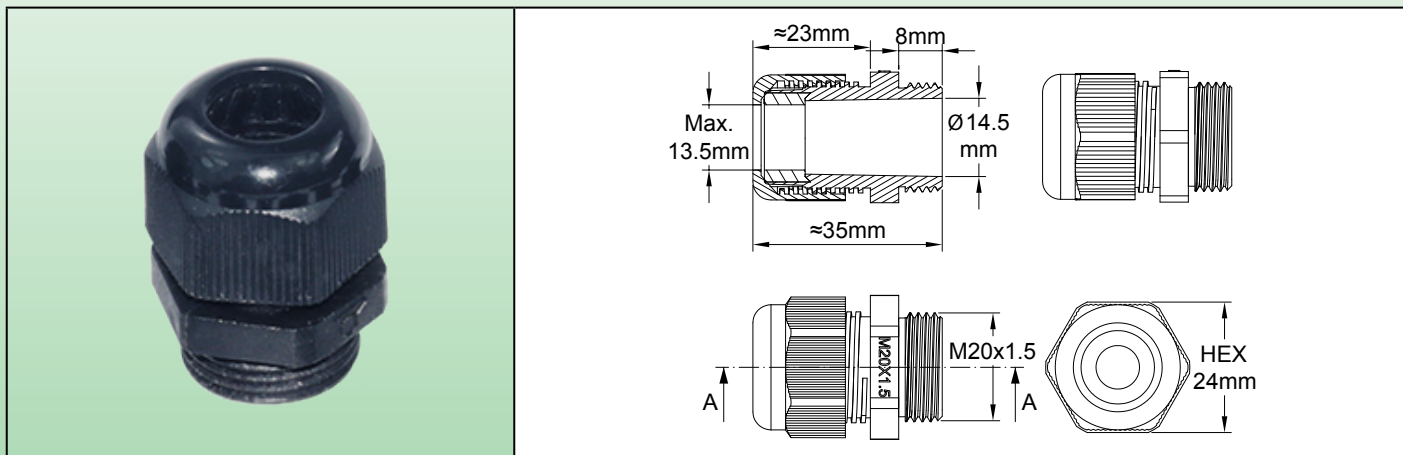


Pipe mounting legs and thermal insulation crossings

M20 cable gland, short thread, in black PA6, IP68, with seals for round and oblong cables

Type 6YTP (M20)



Applications

These cable glands have a reduced length of thread, this allows to mount them on enclosures with a thin wall, without too much encroaching on the interior space. Their design allows to use seals for round and oblong cables.

Main features

Ingress protection: IP68

Vibration resistance: Self-locking compression nut.

Material of the body: PA6 UL94V2

Allowable cables dimensions: Round cables up to 10mm diameter and oblong cable up to 13x6 mm.

Seals material: 65 shore silicone or NBR 70 shore.

For more information on tightening torques and cable pull force, see the technical introduction.

Main references

Cables diameter	Seal material	References without M20 thread gasket	References with NBR O-ring M20 thread gasket	References with M20 thread flat gasket in silicone	References with NBR O-ring M20 thread gasket and locknut	References with M20 thread flat gasket in silicone and locknut
4mm ~ 8mm	NBR 70 shore	6YTPEM20S040080N	6YTPFM20S040080N	6YTPGM20S040080N	6YTPIM20S040080N	6YTPJM20S040080N
	Silicone 65 shore	6YTPEM20S040080S	6YTPFM20S040080S	6YTPGM20S040080S	6YTPIM20S040080S	6YTPJM20S040080S
8mm ~ 12mm	NBR 70 shore	6YTPEM20S080120N	6YTPFM20S080120N	6YTPGM20S080120N	6YTPIM20S080120N	6YTPJM20S080120N
	Silicone 65 shore	6YTPEM20S080120S	6YTPFM20S080120S	6YTPGM20S080120S	6YTPIM20S080120S	6YTPJM20S080120S
4 × 11mm ~ 6 × 13mm	NBR 70 shore	6YTPEM20SF60130N	6YTPFM20SF60130N	6YTPGM20SF60130N	6YTPIM20SF60130N	6YTPJM20SF60130N
	Silicone 65 shore	6YTPEM20SF60130S	6YTPFM20SF60130S	6YTPGM20SF60130S	6YTPIM20SF60130S	6YTPJM20SF60130S
Jeu de toutes les tailles*	NBR 70 shore	6YTPEM20SSRF000N	6YTPFM20SSRF000N	6YTPGM20SSRF000N	6YTPIM20SSRF000N	6YTPJM20SSRF000N
	Silicone 65 shore	6YTPEM20SSRF000S	6YTPFM20SSRF000S	6YTPGM20SSRF000S	6YTPIM20SSRF000S	6YTPJM20SSRF000S

* Set of seals for all dimensions of round and oblong cables, with only one cable gland body.

Because of permanent improvement of our products, drawings, descriptions, features used on these data sheets are for guidance only and can be modified without prior advice



Contact us

Web: www.ultimheat.com

Cat3-3-9-17

Pipe mounting legs and thermal insulation crossings

Spare parts (References for purchasing as spare parts)

M20 seal for round cables from 4 to 8mm		M20 seal for round cables from 6 to 10mm		M20 seal for oblong cables from 4 x 11mm to 6 x 13mm	
NBR	Silicone	NBR	Silicone	NBR	Silicone
66JGN08075164	66JGT08075164	66JGN10075164	66JGT10075164	66JGNF6075164130	66JGTF6075164130
Locknut, M20x1.5, PA6 black				66NCM20545H25	
Flat external silicone gasket, 65 shore				66JPT18518265	
O-ring type external gasket, NBR				66JRN18520225	

Because of permanent improvement of our products, drawings, descriptions, features used on these data sheets are for guidance only and can be modified without prior advice

