

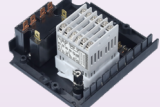
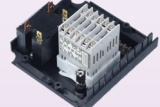


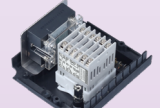


Y6, Y7, Y8 types temperature control boxes 48 × 48mm, Double display PID Electronic controllers types


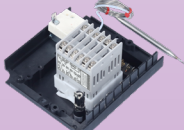
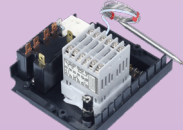
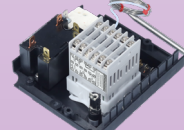
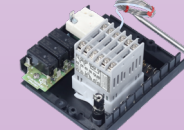
1 244CUUB double display electronic controller

 <p>Standard sensor cable length for remote sensor version: 2m</p>	Power output options		
	<p>A</p>  <p>Electronic controller 3A 250V</p>	<p>B</p>  <p>Electronic controller 3A 250V + 2 x 25A 250V relay</p>	<p>C</p>  <p>Electronic controller 3A 250V + 1 x 30A 250V relay</p>
	<p>D</p>  <p>Electronic controller 3A 250V + 3 relays 16A 250V board</p>	<p>E</p>  <p>Electronic controller 3A 250V + 6 relays 16A 250V board</p>	<p>F</p>  <p>Electronic controller 3A 250V + 10A SSR relay</p>

Main references

Temperature ranges (°C)	Options*	Ambiant sensor version	Distant sensor version	300 mm long rear side rod version*	Immersion heater version**
Fully configurable	A	Y8WJWA3100001AUA	Y8WJWC3100004AUA	Y6WJWC310000FAUA	Y7WJWC310000MAUH
Fully configurable	B	Y8WJWA3120001LUA	Y8WJWC3120004LUA	Y6WJWC312000FLUA	Y7WJWC312000MLUH
Fully configurable	C	Y8WJWA3110001DUA	Y8WJWC3110004DUA	Y6WJWC311000FDUA	Y7WJWC311000MDUH
Fully configurable	D	Y8WJWA3140001HUA	Y8WJWC3140004HUA	Y6WJWC314000FHUA	Y7WJWC314000MHUH
Fully configurable	E	Y8WJWA3170001IUA	Y8WJWC3170004IUA	Y6WJWC317000FIUA	Y7WJWC317000MIUH
Fully configurable	F	Y8WJWA1130001KUA	Y8WJWC3130004KUA	Y6WJWC313000FKUA	Y7WJWC313000MKUH


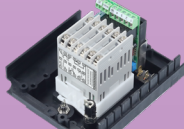
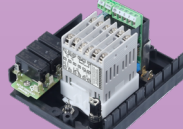
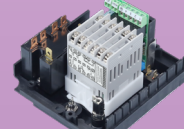
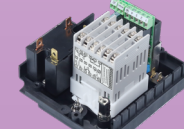
2 244CUUB double display electronic controller + 8L manual reset high limit thermostat

 <p>Standard sensor cable length for remote sensor version: 2m and manual reset capillary length: 1.5m</p>	Options			
	<p>A</p>  <p>Electronic controller 3A 250V + SPNC 16A 250V manual reset</p>	<p>B</p>  <p>Electronic controller 3A 250V + SPNC 16A 250V manual reset + 3 relays 16A 250V board</p>	<p>C</p>  <p>Electronic controller 3A 250V + SPNC 16A 250V manual reset + 2 x 25A 250V relay</p>	<p>D</p>  <p>Electronic controller 3A 250V + SPNC 16A 250V manual reset + 1 x 30A 250V relay</p>

Main references

Temperature ranges (°C)	Manual reset calibration temperature (°C)	Options*	Ambiant sensor version	Distant sensor version	300 mm long rear side rod version*	Immersion heater version**
Fully configurable	Must be specified with order	A	Y8WJWB31000L1AUA	Y8WJWE31000L6AUA	Y6WJWR31000LFAUA	Y7WJWH31000LMAUH
Fully configurable		B	Y8WJWB31400L1HUA	Y8WJWE31400L6HUA	Y6WJWR31400LFHUA	Y7WJWH31400LMHUH
Fully configurable		C	Y8WJWB31200L1LUA	Y8WJWE31200L6LUA	Y6WJWR31200LFLUA	Y7WJWH31200LMLUH
Fully configurable		D	Y8WJWB31100L1DUA	Y8WJWE31100L6DUA	Y6WJWR31100LFDUA	Y7WJWH31100LMDUH

3 244CUUB double display electronic controller + 2PE2N6 manual reset electronic thermostat

 <p>Standard sensor cable length for remote sensor version: 2m and manual reset capillary length: 1.5m</p>	Options			
	<p>A</p>  <p>Electronic controller 3A 250V + SPNC 16A 250V electronic manual reset</p>	<p>B</p>  <p>Electronic controller 3A 250V + SPNC 16A 250V electronic manual reset</p>	<p>C</p>  <p>Electronic controller 3A 250V + SPNC 16A 250V electronic manual reset + 2 x 25A 250V relay</p>	<p>D</p>  <p>Electronic controller 3A 250V + SPNC 16A 250V electronic manual reset + 1 x 30A 250V relay</p>



Contact us

Web: www.ultimheat.com

Cat3-3-8-13

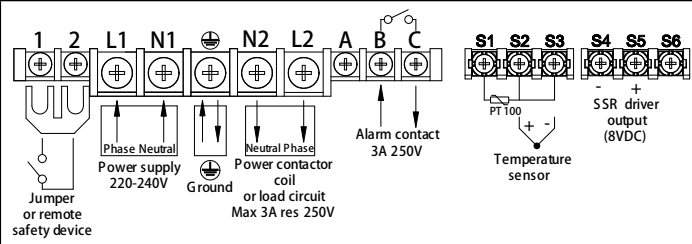
Y6, Y7, Y8 types temperature control boxes 48 × 48mm, Double display PID Electronic controllers types

Main references

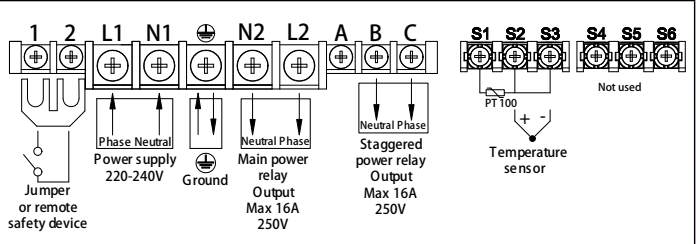
Temperature ranges (°C)	Manual reset calibration temperature (°C)	Options*	Ambiant sensor version	Distant sensor version	300 mm long rear side rod version*	Immersion heater version**
Fully configurable	Must be specified with order	A	Y8WJWA31000X1AUA	Y8WJWE31000X6AUA	Y6WJWR31000XFAUA	Y7WJWH31000XMAUH
Fully configurable		B	Y8WJWA31400X1HUA	Y8WJWE31400X6HUA	Y6WJWR31400XFHUA	Y7WJWH31400XMHUH
Fully configurable		C	Y8WJWA31200X1LUA	Y8WJWE31200X6LUA	Y6WJWR31200XFLUA	Y7WJWH31200XMLUH
Fully configurable		D	Y8WJWA31100X1DUA	Y8WJWE31100X6DUA	Y6WJWR31100XFDUA	Y7WJWH31100XMDUH

Wiring diagrams

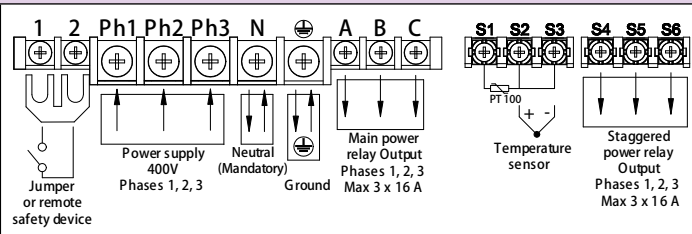
Single pole circuits, 3Amp relay output, SSR output, one 3Amp alarm



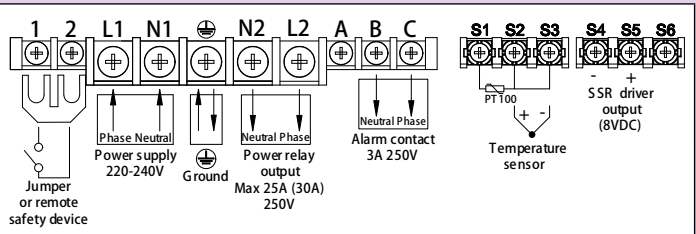
Single pole circuits, 2 staggered relay outputs 16A 250V



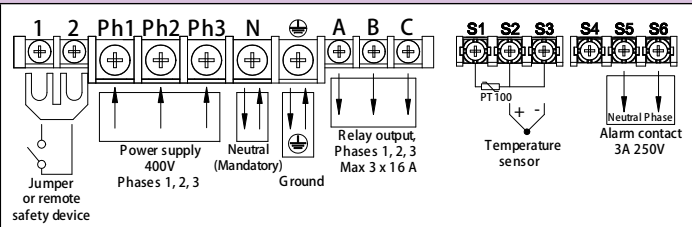
3 pole circuits, 2 staggered relay outputs 3x16A 250V



Single pole circuits, one 25Amp or 30A relay output, SSR output, one 3Amp alarm



3 pole circuits, 3 × 16Amp relay output, one 3Amp alarm



Single pole circuit, 10A incorporated SSR output, one 3Amp alarm

