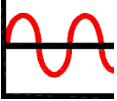

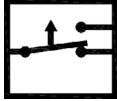
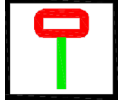
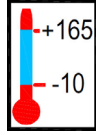
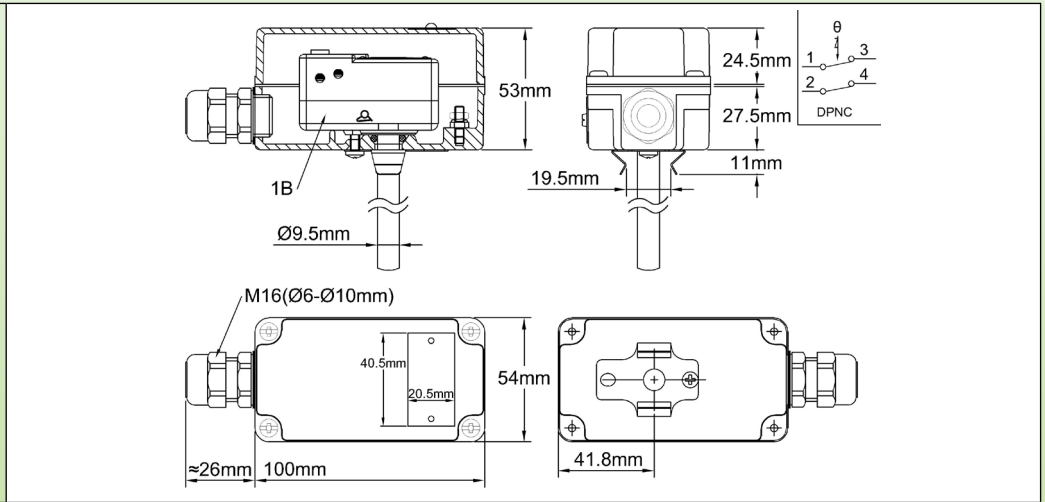


Rod thermostats (bimetal expansion measurement)

Type	Adjustment	Contact	Measurement	Ranges °C	Model
Control 	Internal 	Single pole 	Rod 		Y1U
					Thermostat
					1R, 1U



Applications:

These **bimetal** rod thermostats can be installed inside pockets as immersion thermostats in pipelines and containers, and for monitoring temperature in air ducts, in usual industrial application and environment. (Not suitable for hazardous areas).

- **Small footprint enclosure**
- **Internal adjustment is convenient for products that must not be frequently adjusted.**
- **Short response time**
- **Low sensibility to strong vibrations**

Long electrical and mechanical life model

Housing: Aluminum, IP65, IK10, 100 × 53 × 54mm. Grey RAL7032 epoxy painting

Set point adjustment ranges: **10+130°C (+14+264°F)**, **+15+95 °C (+59+203°F)**, **+25+165°C (+77+329°F)**.

Temperature adjustment: Set point adjustable by **arrow style knob, on °C printed dial**. Consult us for °F versions

Action: temperature control.

Sensing element: Bimetal rod, stainless steel-Invar. A clip under the thermostat head allows mounting pockets or brackets (See pockets in the accessories section)

Electrical connections: on thermostat screw terminals

Earthing: on internal screw terminal

Cable output: M16 cable gland, PA66, for cables up to 10 mm dia.

Mounting: on pockets for liquid immersion or flange for air ducts

Identification: 20 × 40 mm stainless steel identification label, riveted.

Contact: SPDT

Electrical rating:

- Standard differential: 15A (4)A 250V/400VAC. Res.
- Reduced differential: 4 (1A) 250VACt. Res.

Electrical life > **100.000 cycles**.

Reduced differential models cannot be used in 400VAC



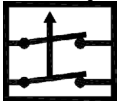

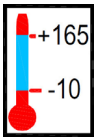
Storage minimum temperature: -50°C (-60°F)

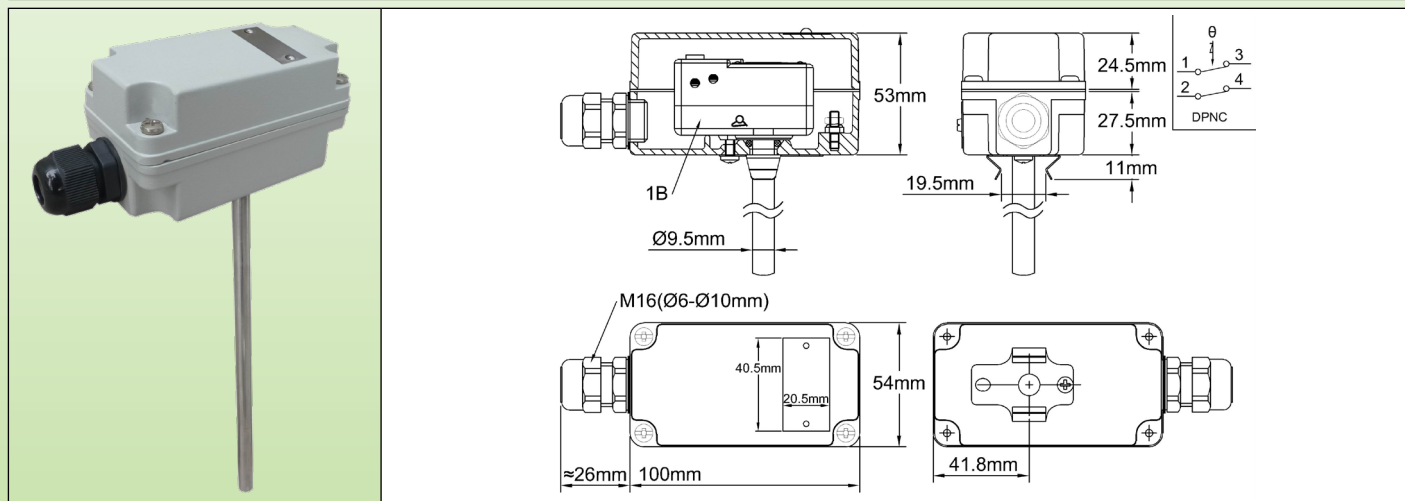
Main references

Temperature range °C (°F)	Rod length (mm)	Reference with standard differential	Differential value °C (°F)	Reference with reduced differential	Differential value °C (°F)	Max. temperature on rod °C (°F)
-10+130°C (+14+264°F)	200	Y1U1RA-10130B20L	15±5°C (27±9°F)	Y1U1UA-10130B20L	3±1.5°C (5.4±2.7°F)	180°C (356°F)
+15+95°C (+59+203°F)	200	Y1U1RA015095B20L	15±5°C (27±9°F)	Y1U1UA015095B20L	3±1.5°C (5.4±2.7°F)	145°C (293°F)
+15+95°C (+59+203°F)	300	Y1U1RA015095B30L	10±3°C (18±5.4°F)	Y1U1UA015095B30L	2±1°C (3.6±1.8°F)	145°C (293°F)
+25+165°C (+77+329°F)	200	Y1U1RA025165B20L	15±5°C (27±9°F)	Y1U1UA025165B20L	3±1.5°C (5.4±2.7°F)	215°C (419°F)



Rod thermostats (bimetal expansion measurement)

Type	Adjustment	Contact	Measurement	Range °C	Model
Control 	Internal 	Double pole 	Rod 		Y1U
					Thermostat
					1B, 1C



Applications:

These **bimetal** rod thermostats can be installed inside pockets as immersion thermostats in pipelines and containers, and for monitoring temperature in air ducts, in usual industrial application and environment. (Not suitable for hazardous areas).

- **Small footprint enclosure**
- **Internal adjustment is convenient for products that must not be frequently adjusted.**
- **Short response time**
- **Low sensibility to strong vibrations**

Long electrical and mechanical life model

Housing: Aluminum, IP65, IK10, 100 × 53 × 54mm. Grey RAL7032 epoxy painting

Set point adjustment ranges: **10+130°C (+14+264°F)**, **+15+95 °C (+59+203°F)**, **+25+165°C (+77+329°F)**.

Temperature adjustment: Set point adjustable by **arrow style knob, on °C printed dial**. Consult us for °F versions

Action: temperature control.

Sensing element: Bimetal rod, stainless steel-Invar. A clip under the thermostat head allows mounting pockets or brackets (See pockets in the accessories section)

Electrical connections: on thermostat screw terminals

Earthing: on internal screw terminal

Cable output: M16 cable gland, PA66, for cables up to 10 mm dia.

Mounting: on pockets for liquid immersion or flange for air ducts

Identification: 20 × 40 mm stainless steel identification label, riveted.

Contact: DPNC

Electrical rating:

- Standard differential: 15A (4)A 250V/400VAC. Res.
- Reduced differential: 4 (1A) 250VACt. Res.

Electrical life > **100.000 cycles**.

Reduced differential models cannot be used in 400VAC

Storage minimum temperature: -50°C (-60°F)

Main references

Temperature range °C (°F)	Rod length (mm)	Reference with standard differential	Differential value °C (°F)	Reference with reduced differential	Differential value °C (°F)	Max. temperature on rod °C (°F)
-10+130°C (+14+264°F)	200	Y1U1BA-10130B20L	15±5°C (27±9°F)	Y1U1CA-10130B20L	3±1.5°C (5.4±2.7°F)	180°C (356°F)
+15+95°C (+59+203°F)	200	Y1U1BA015095B20L	15±5°C (27±9°F)	Y1U1CA015095B20L	3±1.5°C (5.4±2.7°F)	145°C (293°F)
+15+95°C (+59+203°F)	300	Y1U1BA015095B30L	10±3°C (18±5.4°F)	Y1U1CA015095B30L	2±1°C (3.6±1.8°F)	145°C (293°F)
+25+165°C (+77+329°F)	200	Y1U1BA025165B20L	15±5°C (27±9°F)	Y1U1CA025165B20L	3±1.5°C (5.4±2.7°F)	215°C (419°F)



Contact us

Web: www.ultimheat.com

Cat2-2-6-15