

Manual reset electronic room adjustable limiter

Enclosure	Type	Operation	Contact	Measurement	Ranges °C	Models
IP65, IK10	Limiter	Electronic	SPNO or SPNC	Ambient		Y1B2L Y1A2L
Material						
Aluminum						

<p>Y1B2L: External adjustment and external reset (With pilot light)</p>		<p>Y1A2L: Internal adjustment and reset (Without pilot light)</p>	

Applications:

- Wall mounting for indoor or outdoor **high temperature alarm** of cold rooms.
- **High temperature alarm** of industrial or commercial premises.
- Outdoor temperature control of antifreeze heaters.
- **High temperature alarm** of green houses and livestock stables.

Housing: Aluminum, IP65, IK10. Mounted on a SUS304 stainless steel wall mounting plate which keeps the temperature sensing element away from the wall. Grey RAL7032 epoxy painting. Stainless steel captive cover screws. Captive aluminum lid.

Operation: Microprocessor manual reset electronic limiter, with adjustable set point.

Adjustment ranges: -35~35°C (-30~95°F), 0~10°C (32~50°F), 4~40°C (40~105°F).

Set point adjustment: By °C printed knob. All types have an adjustable rotation limit system located inside the knob that allows reducing the set point adjustment span. Types with external adjustment have a transparent window. This device allows seeing the pilot light and the knob position. °F values are available as an option.

Reset: by push button switch beside the knob.

Sensing element: NTC probe, mounted on the side of plastic housing.

Cable input and output: Two M20 cable glands, Black PA66. Internal electrical connection on screw terminals. 2 phases power supply (Line+ Neutral, 220~250V, 50Hz~60Hz) are mandatory.

Earthing: Internal and external screw terminal.

Pilot light: Allow to visualize thermostat contact output position. Standard for all models with transparent window. Non Standard and on special request only for models with plain aluminum cover.

Mounting: Wall mounting, by 4 holes for screws dia. 4 to 5 mm, 94 x 92 mm distance.

Identification: Metallic identification label, riveted.

Contact: SPST. 16A (2.6), 250VAC. Open or close on temperature rise. The version with contact closing on temperature rise is used to switch on an alarm. The version with contact opening on temperature rise is used to switch-off heating.

Electrical life: >100,000 cycles.

Minimum storage temperature: -35°C (-30°F)

Maximum ambient temperature: 60°C (140°F)

For more technical information ask 2PE2N6 thermostat technical data sheet (catalog 1)



Contact us

Web: www.ultimheat.com

Cat2-2-13-3

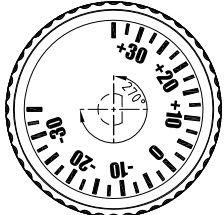
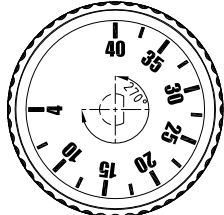
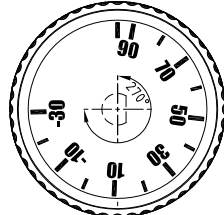
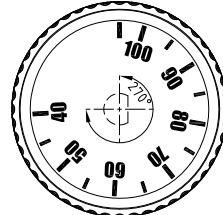
Manual reset electronic room adjustable limiter

Main references

Temperature adjustment ranges °C (°F)	Open on temperature rise contact		Close on temperature rise contact	
	References with external adjustment	References with internal adjustment	References with external adjustment	References with internal adjustment
-35-35°C (-30+95°F)	Y1B2LN6F235035AJ	Y1A2LN6F235035AJ	Y1B2LN6G235035AJ	Y1A2LN6G235035AJ
4-40°C (40-105°F)	Y1B2LN6F204040AJ	Y1A2LN6F204040AJ	Y1B2LN6G204040AJ	Y1A2LN6G204040AJ

°F printing: replace last character (J) by K

Knob printings

°C Printing		°F Printing	
-35+35°C	4-40°C	-30+95°F	40-105°F
			

Because of permanent improvement of our products, drawings, descriptions, features used on these data sheets are for guidance only and can be modified without prior advice

