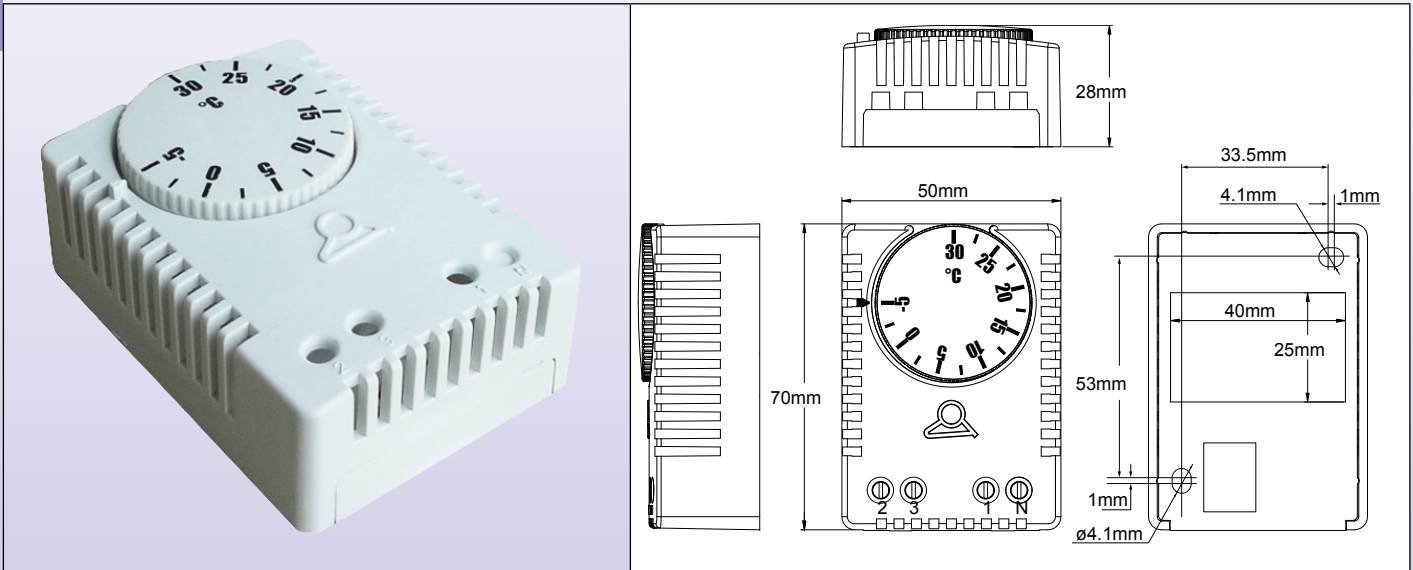


# Y0 range - IP20 to IP44 enclosures and thermostatic controls

Miniature room temperature thermostats wall mounting, home appliance style

## Type Y02M



### Main use:

These models have been designed to control electrical equipment temperature. They are designed for wall mounting with 2 backside screws. Their SPDT contact allows their use to control a cabinet heater, a fan or a filter fan, or a cooling system.

**Temperature ranges:** -10+50°C (14+ 122°F); 0-60°C (32-140°F); 20+80°C (68-176°F)

**Set point adjustment:** screw driver knob, red color for open on rise models, blue color for close on rise models

**Sensing element:** bimetal

**Contact type:** snap-action contact, open or close on temperature rise, 10(2)A 250VAC, 15(2)A 120VAC

**Electrical life:** >100,000 cycles at rated values

**Contact resistance:** <10mOhm

**Electrical connection:** 4 screw terminals, for 1.5mm<sup>2</sup> wires

**Mounting:** Clip for 35mm DIN rail (EN50022)

**Casing:** UL94 V0, PC-ABS, RAL 1010 light grey

**Dimensions:** 67 × 50 × 46mm

**Operating temperature range:** -20 to +80°C

**Ingress protection:** IP30

### Main references

| °C                     |                   |                  |
|------------------------|-------------------|------------------|
| Temperature range (°C) | Differential (°C) | References       |
| -10+50°C               | 4°C±2°C           | Y02MAC-10050114M |
| -10+20°C               | 4°C±2°C           | Y02MAC-10020114M |
| +5+35°C                | 4°C±2°C           | Y02MAC005035114M |
| 0+60°C                 | 4°C±2°C           | Y02MAC000060114M |
| +20+80°C               | 4°C±2°C           | Y02MAC020080114M |
| °F                     |                   |                  |
| Temperature range (°F) | Differential (°F) | References       |
| 15-120°F               | 7±3°F             | Y02MAC-10050114N |
| 15-70°F                | 7±3°F             | Y02MAC-10020114N |
| 40-95°F                | 7±3°F             | Y02MAC005035114N |
| 30-140°F               | 7±3°F             | Y02MAC000060114N |
| 70-180°F               | 7±3°F             | Y02MAC020080114N |

### Wiring diagram

