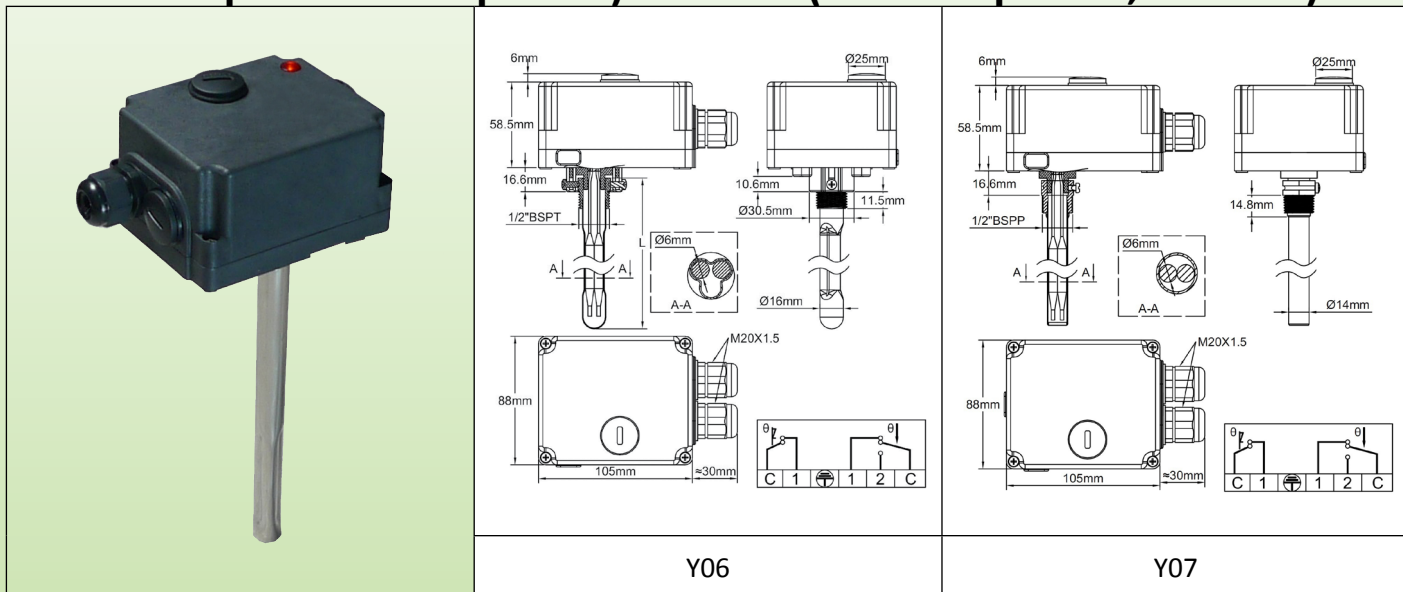


Combination of adjustable set point thermostat and manual reset high limit, IP54 commercial housing, types **Y06** (With 1/2"BSPT nickel plated brass pocket) and **Y07** (AISI 304 pocket, 1/2"BSPP)



Main applications

Temperature control and safety on storage water heaters, solar heating tanks, boilers.

Housing: IP54, 105 × 88 × 58.5 mm, (Cap, accessories and cable gland not included), black PC-ABS, UL94V0. High impact and UV resistance.

Product including an adjustable temperature control thermostat and a fixed setting high limit manual reset thermostat. Manual reset has access from outside, by removing a cap.

Electrical input: two M20 cable glands.

Temperature Adjustment: Inside, with °C printed knob. (°F printed knobs available in option)

Sensing element: Liquid filled bulb, located inside a backside mounted nickel plated brass pocket.

Adjustment ranges: 0-60°C (32-140°F); 30-90°C (85-195°F); 30-110°C (90-230°F)

Pocket length (L): 205mm (standard), 170, 300, 450 and 600mm on request

Electrical connections: screw terminals

Mounting:

- Y06: by the 1/2"BSPT (taped) brass pocket fitting
- Y07: by the 1/2"BSPP (parallel) brass pocket fitting

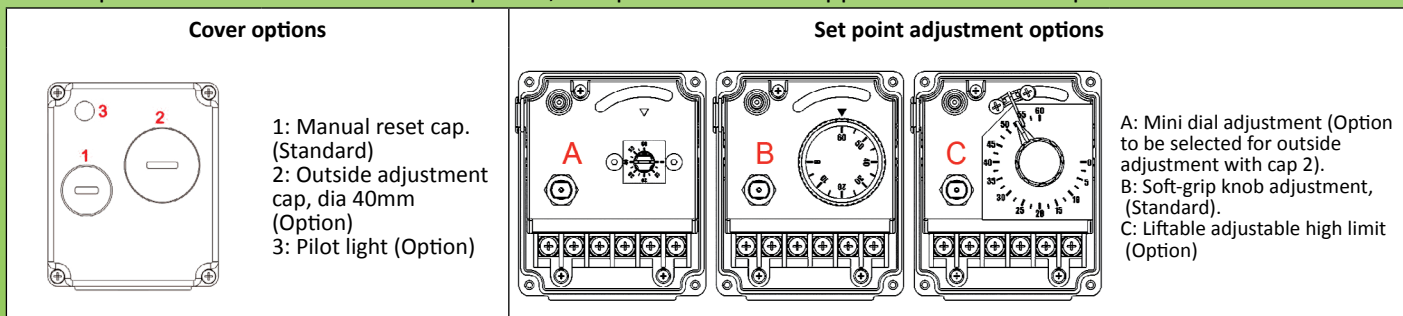
Control thermostat contact: SPDT

- Open on temperature rise contact (C-1) 16A (2.6) 250VAC
- Close on temperature rise contact (C-2) 6A (0.6) 250VAC
- Electrical life >100,000 cycles.

Manual reset thermostat contact: Failsafe, open by temperature rise; 16A (2,6) 250V alt.

Options:

- Power supply "energized" pilot light (Neutral is mandatory, and thermostat contact is open on rise only, not SPDT). Other pilot light wirings are possible on request.
- Lifiable adjustable high end adjustment on control thermostat.
- Outside access to the control thermostat adjustment (By removing a 40mm dia. cap)
- Thermal cut out incorporated inside the pocket.
- These products can be made without pocket, for special customer applications and incorporation.



Main references (with 205mm pocket)

Temperature ranges °C (°F)	Manual reset calibration °C (°F)	Cap access manual reset	Cap access manual reset, liftable adjustable high stop	Cap access manual reset, liftable adjustable high stop, power supply "on" pilot (230V)	Differential °C (°F)	Max temperature on rod °C (°F)
0-60°C (32-140°F)	80°C (176°F)	Y06MS00060A20080	Y06ME00060A20080	Y06NE00060C20080	4±3°C (7±5.5°F)	90°C (195°F)
30-90°C (85-195°F)	110°C (230°F)	Y06MS30090A20110	Y06ME30090A20110	Y06NE30090C20110	4±3°C (7±5.5°F)	120°C (250°F)
30-110°C (90-230°F)	130°C (266°F)	Y06MS30110A20130	Y06ME30110A20130	Y06NE30110C20130	5±3°C (9±7°F)	150°C (300°F)

Aisi 304 pocket: replace Y06 by Y07.

Versions with °F printed knobs: replace S by T or E by G in the reference.

Knob and dial printings

Type	°C Printing			°F Printing		
	0-60°C	30-90°C	30-110°C	32-140°F	85-195°F	90-230°F
Standard softgrip knob						
Miniature knob dial for outside adjustment						
Adjustable stop big dial						

Because of permanent improvement of our products, drawings, descriptions, features used on these data sheets are for guidance only and can be modified without prior advice

