

# “Pigtail” bulb room thermostat, with built-in pilot light and 2 M20 cable glands for heat tracing application

Boitier	Type	Operation	Contact	Measurement	Ranges °C	Models
IP55	Control	Mechanical	SPNC	Ambient		<b>Y0D8, Y0D9</b>
Material						
PC-ABS						

### Y0D8: External adjustment

### Y0D9: Internal adjustment

Example of wall mounting model connected on Y25 connection boxes for antifreeze protection of livestock waters

Example of assembly on Y29 connection box with pipe mounting leg



# “Pigtail” bulb room thermostat, with built-in pilot light and 2 M20 cable glands for heat tracing application

## Applications

Ambient temperature control in professional premises where good protection against liquid splashes or dust is requested.

Output with 2 cable glands, allowing of heat tracing cables for freeze protection.

The connection of one heating cable can be done directly. For the connection of several heating cables, it is necessary to go through an intermediate box of types Y25, Y26, Y28, Y29 (See pages of these products)

## Main features

**Housing:** Reduced height, IP44, black PC-ABS fiberglass reinforced, UL94V0. High impact and UV resistance. 2 removable wall mounting lugs.

**Cable input:** Two M20 cable glands. Mounting of cable glands can be modified in 3 positions. **Special cable glands for oblong heat tracing cables are available on request. Available models are described on pages of 6YTP products**

**Set point adjustment:** By °C printed knob for external adjustment models, by screw driver and printed dial on internal adjustment models. °F values available as an option.

**Sensing element:** Liquid filled “pigtail” bulb, mounted on the side of plastic housing

**Adjustment ranges:** 4-40°C (40-105°F).

**Electrical connections:** On screw terminals. (It is possible to connect 2 wires 1.5mm<sup>2</sup> on each terminal).

**Mounting:** Wall mounting, by two side lugs with holes for dia. 4mm screws, 69mm distance.

**This thermostat can be mounted directly on the rear side of pipe mounting connection boxes type Y29.**

**Contact:** SPNC (open on temperature rise).

**Pilot light:** Neon, 230V, standard in red, parallel connection on the load

**Electrical rating, resistive loads:**

16A 250V, 50 ~60Hz.

**Minimum storage temperature:** -35°C (-30°F)

**Maximum ambient temperature:** 60°C (140°F).

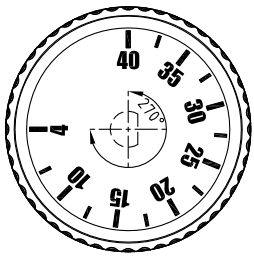
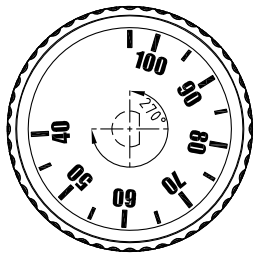
## Selection of some part numbers with cable gland seals for round cables\*

Temperature ranges °C (°F)	Internal adjustment**	External adjustment**	Differential	Max temperature on bulb
4-40 (40-105)	Y0D9LD104040QB3J	Y0D8LD104040QB3J	1±0.5°C (1.8±1°F)	60°C (140°F)



\* These products also exist with bulb and capillary sensing element: replace Y0D by Y0A in the reference. See the catalogue N°2 for the technical data sheets of all models and temperature ranges

\*\* °F printing: replace last character (J) by K

## Knob printings

°C Printing	°F Printing
4-40°C	40-105°F
	

## \*Models with bulb and capillary sensing element

Y0A8	Y0A9
	

Because of permanent improvement of our products, drawings, descriptions, features used on these data sheets are for guidance only and can be modified without prior advice



Contact us

Web: [www.ultimheat.com](http://www.ultimheat.com)

Cat2-2-4-9