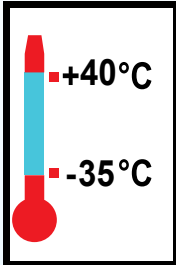
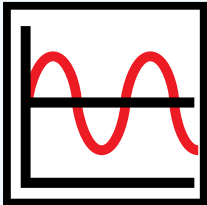
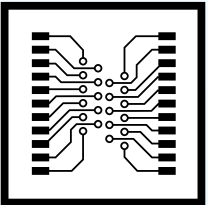
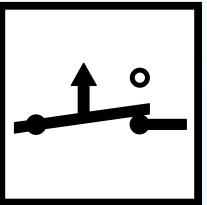
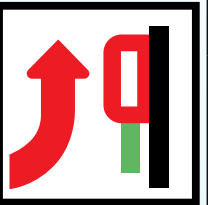

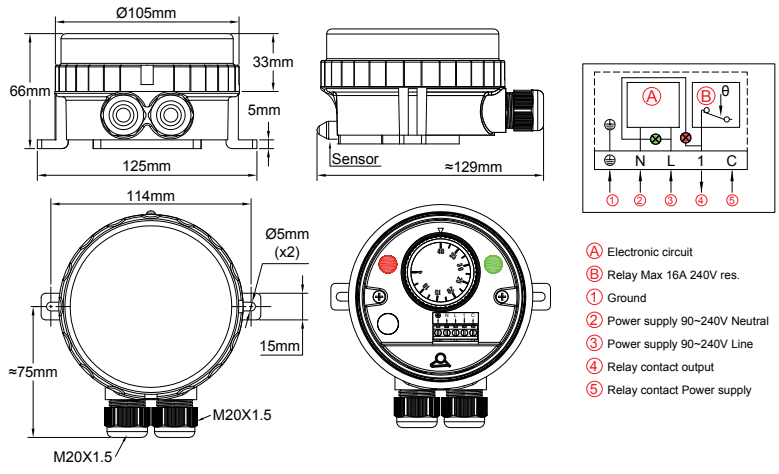


Electronic room thermostats for heat tracing

Because of permanent improvement of our products, drawings, descriptions, features used on these data sheets are for guidance only and can be modified without prior advice


Enclosure	Type	Operation	Contact	Measurement	Ranges °C	Model
IP66, IK10	Control	Electronic	SPNC	Ambient		YF62NC
Material						
PA66 & PC						



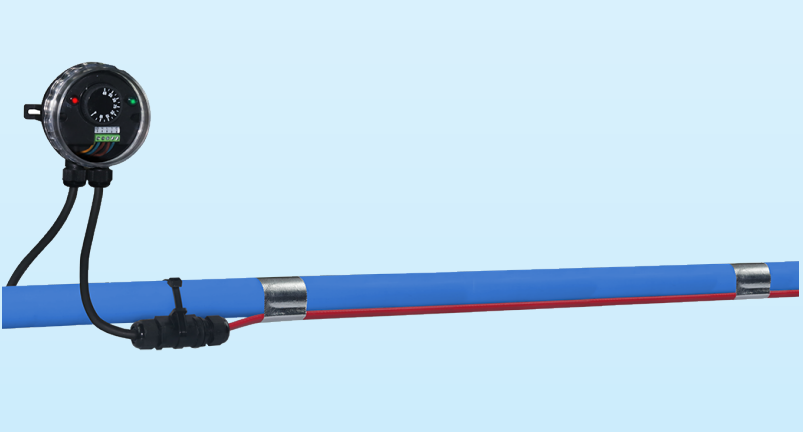


Legend:

- (A) Electronic circuit
- (B) Relay Max 16A 240V res.
- (1) Ground
- (2) Power supply 90-240V Neutral
- (3) Power supply 90-240V Line
- (4) Relay contact output
- (5) Relay contact Power supply



Example of assembly on two heat tracing cables, in combination with Y29 connection box



Example of assembly on one heat tracing cable, with Y24 connection box, for PVC pipe antifreeze protection

Applications:

- Equipment requesting a very strong resistance to water ingress. The transparent cover allows to visualize the set point and the 2 pilot lights.
- Outdoor antifreeze temperature control of heaters and heat tracing cables.
- Wall mounting for indoor or outdoor temperature control of cold rooms.
- Temperature control of industrial or commercial premises.
- Green houses and livestock stables temperature control.

- Very small differential

Housing: Protection class IP 66 upon EN 60529 (waterproof spray water under high pressure and sea splashes, totally dust tight). Body in black PA66, fiber glass reinforced. The transparent polycarbonate cover can be unscrewed by hand, but it is also possible to use a hook spanner. Mechanical impact resistance: IK10. High UV resistance.

Set point adjustment: By °C printed knob. All types have an adjustable rotation limit system located inside the knob that allows reducing the set point adjustment span. °F printed knobs available as an option.



Contact us

Web: www.ultimheat.com

Cat2-2-10-5

Electronic room thermostats for heat tracing

Operation: Microprocessor electronic thermostat,

Sensing element: NTC probe, mounted on the top of the plastic housing.

Pilot lights: One pilot light visualizes the thermostat contact output position. The other visualizes the power supply input. Phase and line 230V power supply is mandatory for these pilot lights.

Set point adjustment ranges: -35-35°C (-30+95°F), 0-10°C (32-50°F), 4-40°C (40-105°F).

Differential: Differential is preset at the minimum value, but can be increased with a potentiometer located under the set point adjustment knob.

Cable input and output: Two M20 cable glands, built-in, black PA66.

Electrical connections: Inside, on screw terminal connection block. It is possible to connect 2 wires 1.5mm² on each terminal.

Earthing: Internal screw terminal.

Mounting: Wall mounting, by 2 legs with holes for screws dia. 4 to 5mm, 114mm distance.

Identification: Identification label on backside.

Contact: SPST. 16A (2.6), 250VAC. Open on temperature rise.

Electrical life: >100.000 cycles.

Minimum storage temperature: -35°C (-30°F)

Maximum ambient temperature: 60°C (140°F)

Options: Models with remote temperature sensor

For more technical information see 2PE2N6 thermostat technical data sheet in catalog N°1

Main references used in heat tracing

References with open on temperature rise contact	Temperature adjustment ranges °C (°F)*	Minimum differential °C (°F)
YF62NC350350000J	-35+35°C (-30+95°F)	0.5~0.8°C (0.9~1.4°F)
YF62NC000100000J	0+10°C (32-50°F)	0.5~0.8°C (0.9~1.4°F)
YF62NC040400000J	+4+40°C (40-105°F)	0.5~0.8°C (0.9~1.4°F)

* °F printing: replace last character (J) by K.

Knob printings

°C Printing			°F Printing		
-35+35°C	0-10°C	4-40°C	-30+95°F	32-50°F	40+105°F

Model with remote sensor

