

# Pipe mounting electronic temperature control

| Enclosure  | Type    | Operation  | Contact      | Measurement | Ranges °C | Models                       |
|------------|---------|------------|--------------|-------------|-----------|------------------------------|
| IP65, IK10 | Control | Electronic | SPNO or SPNC | Pipe        |           | <b>Y112P</b><br><b>Y102P</b> |
| Material   |         |            |              |             |           |                              |
| Aluminum   |         |            |              |             |           |                              |

|  |  |   |  |
|--|--|---|--|
|  |  |   |  |
| <p>Y112P: External adjustment<br/>(With pilot light)</p> |  | <p>Y102P: Internal adjustment<br/>(Without pilot light)</p> |  |

## Applications:

Pipes surface temperature control in usual industrial applications and environments, **when a low differential is requested** (No suitable for hazardous areas)

Internal adjustment is convenient for products that must not be frequently adjusted.

**Housing:** Aluminum, IP65, IK10. Mounted on a SUS304 stainless steel wall mounting plate which keeps the temperature sensing element away from the wall. Grey RAL7032 epoxy painting. Stainless steel captive cover screws. Captive aluminum lid.

**Set point adjustment ranges:** 4-40°C (40-105°F); 30-90°C (85-195°F).

**Set point adjustment:** By °C printed knob. All types have an adjustable rotation limit system located inside the knob that allows reducing the set point adjustment span. Types with external adjustment have a transparent window. This device allows seeing the pilot light and the knob position. °F values are available as an option.

**Action:** Temperature control, On-Off action

**Sensing element:** NTC sensor inside aluminum bracket in contact with the pipe surface.

The bracket design provides optimized thermal contact with 34mm (1", DN25), 60mm (2", DN50) and 90mm (3", DN80) outside diameter tubes. For intermediate sizes, we recommend the use of thermal grease.

**Electrical connections:** Inside, on screw terminal connection block

**Earthing:** Internal and external screw terminal.

**Pilot light:** Allows to visualize thermostat contact output position. Standard for all models with transparent window. Non Standard and on special request only for models with plain aluminum cover

**Cable input and output:** Two M20 cable glands, Black PA66.

**Mounting:** The thermostat housing can be fixed on the pipe by worm drive hose clamps (DIN3017) nylon cable ties (Tie wraps upon EN50146, for applications at permanent temperature lower than 85°C), or specific stainless steel punched band (see accessories at the end of this catalog).

**Identification:** Metallic identification labels, riveted.

**Contact:** SPST. 16A (2.6), 250VAC. Open or close on temperature rise. The version with contact closing on temperature rise is used to switch on an alarm or a cooling device. The version with contact opening on temperature rise is used to switch off heating.

**Electrical life:** >100,000 cycles.

**Minimum storage temperature:** -35°C (-30°F)

**Maximum ambient temperature:** 60°C (140°F)

For more technical information ask 2PE2N6 thermostat technical data sheet.



Contact us

Web: [www.ultimheat.com](http://www.ultimheat.com)

Cat2-2-12-5

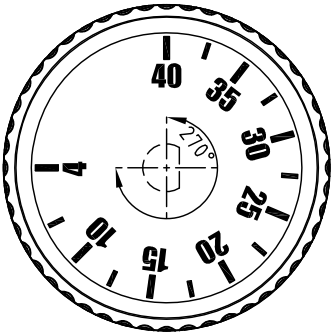
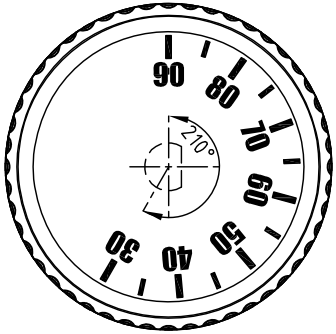
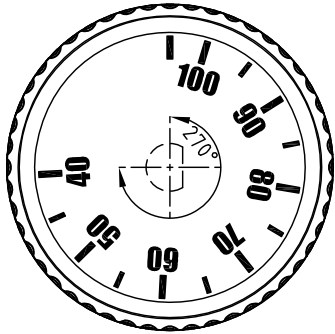
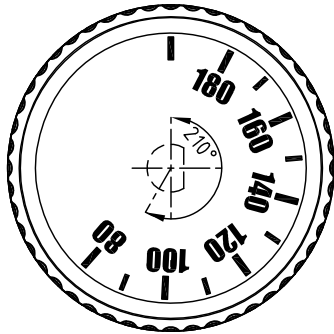
# Pipe mounting electronic temperature control

## Main references

| Temperature adjustment ranges °C (°F) | Open on temperature rise contact   |                                    | Close on temperature rise contact  |                                    | Differential °C (°F)  | Max. temperature on tube °C (°F) |
|---------------------------------------|------------------------------------|------------------------------------|------------------------------------|------------------------------------|-----------------------|----------------------------------|
|                                       | Reference with external adjustment | Reference with internal adjustment | Reference with external adjustment | Reference with internal adjustment |                       |                                  |
| 4-40°C (40-105°F)                     | Y112PN6F204040AJ                   | Y102PN6F204040AJ                   | Y112PN6G204040AJ                   | Y102PN6G204040AJ                   | 0.5~0.8°C (0.9~1.4°F) | 100°C (212°F)                    |
| 30-90°C (85-195°F)                    | Y112PN6F230090AJ                   | Y102PN6F230090AJ                   | Y112PN6G230090AJ                   | Y102PN6G230090AJ                   | 0.5~0.8°C (0.9~1.4°F) | 100°C (212°F)                    |

°F printing: replace last character (J) by K.

## Knobs printing

| °C Printing   |   | °F Printing  |   |
|---|---|--|---|
| 4-40°C  | 30-90°C   | 40-105°F   | 85-195°F  |
|  |  |  |  |

Because of permanent improvement of our products, drawings, descriptions, features used on these data sheets are for guidance only and can be modified without prior advice

