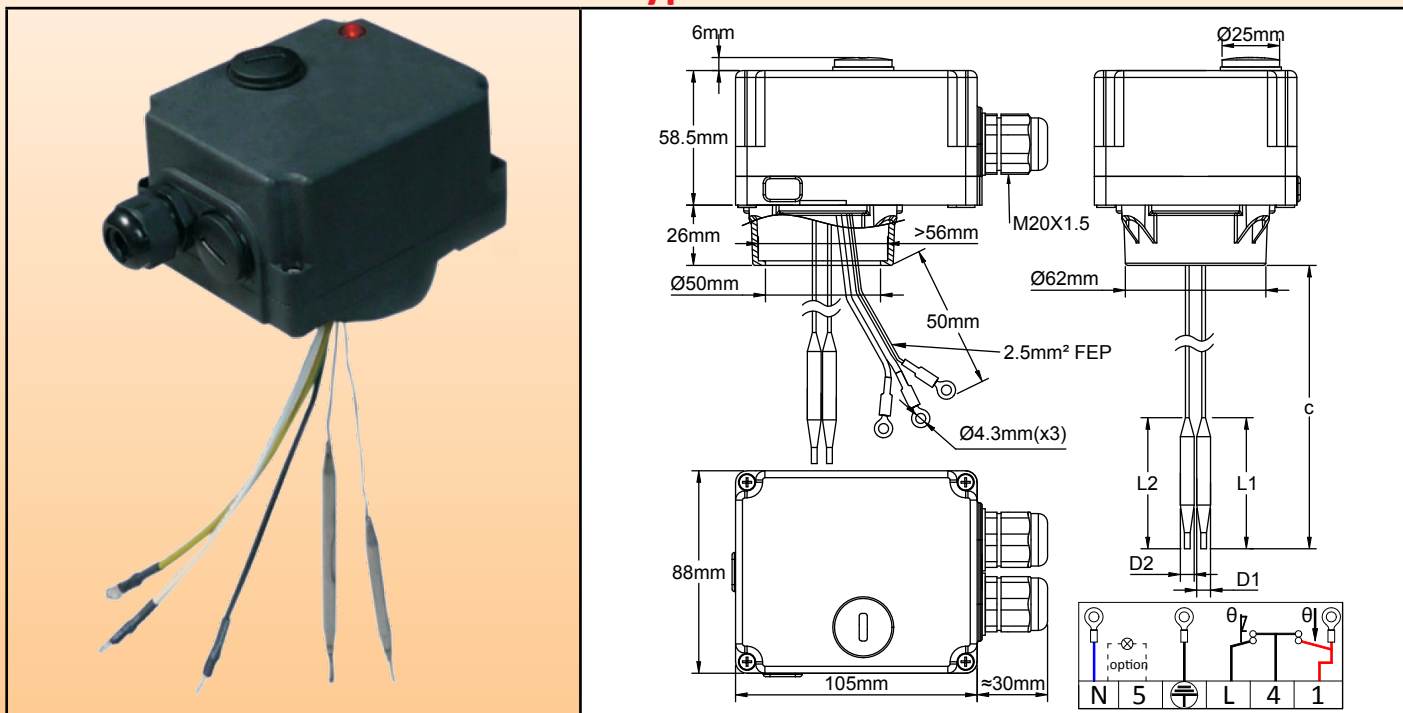


# Combination of adjustable set point thermostat and manual reset high limit, IP54 commercial housing, Type Y08



## Main applications:

Control sub-assembly designed to be fitted directly on standard immersion heaters. Power up to 3500W, 230V, single phase.

**Housing:** IP54, 105 × 88 × 84.5mm, (Cap, accessories and cable gland not included), black PC-ABS, UL94V0. High impact and UV resistance.

Product including an adjustable temperature control thermostat and a fixed setting high limit manual reset thermostat. Manual reset has access from outside, by removing a cap.

**Electrical input:** one M20 cable gland.

**Temperature Adjustment:** Inside, with °C printed knob. (°F printed knobs available in option)

**Sensing elements:** Liquid filled bulbs, dia. 6mm, with output on backside, for mounting inside immersion heater pockets

**Adjustment ranges:** 0-60°C (32-140°F); 30-90°C (85-195°F); 30-110°C (90-230°F)

**Sensing element output lengths (C):** 500mm (standard), other lengths from 150mm to 800mm available on request

**Electrical connections:**

- Power supply (Neutral, Line, Ground), on 6mm<sup>2</sup> screw terminals.
- Immersion heater: 3 wires, FEP 180°C insulated, 2.5mm<sup>2</sup>, equipped with ring terminals, length 50mm on the immersion heater connection side, for direct connection on heating element M4 terminals. (Neutral wire is blue color)
- Pilot light (Option): can be connected by a strap on power supply, or on control thermostat output, or on safety thermostat output.

**Mounting:** by the backside extension, on the 50mm diameter hole, that can be used for immersion heaters with 1"1/2 thread or M45 thread, mounted by nut or by dia 56mm rotation ring

**Control thermostat contact:** Open on temperature rise contact (C-1) 16A (2.6) 250VAC

- Electrical life >100,000 cycles.

**Manual reset thermostat contact:** Fail safe, open by temperature rise; 16A (2.6) 250V alt.

Control thermostat and manual reset thermostat contacts are in serial on the Line supply of immersion heater.

**Options:**

- Pilot light (230V)
- Lifiable adjustable high end adjustment on control thermostat.
- Outside access to the control thermostat adjustment (By removing a 40mm dia. cap)
- Thermal cut out for incorporation inside immersion heater pocket.

Cover options

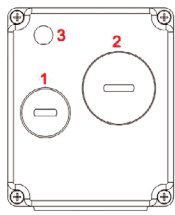
Set point adjustment options



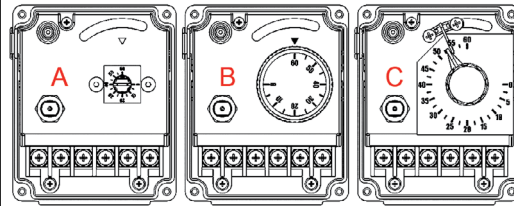
Contact us

Web: [www.ultimheat.com](http://www.ultimheat.com)

Cat2-2-5-7



- 1: Manual reset cap (Standard)
- 2: Outside adjustment cap, dia 40mm (Option)
- 3: Pilot light (Option)



- A: Mini dial adjustment (Option to be selected for outside adjustment with cap 2).
- B: Soft-grip knob adjustment, (Standard).
- C: Lifiable adjustable high limit (Option)

### Main references (with C= 200mm)

Temperature ranges °C (°F)	Manual reset calibration °C (°F)	Cap access manual reset	Cap access manual reset, lifiable adjustable high stop	Cap access manual reset, lifiable adjustable high stop, power supply "on" pilot (230V)	Differential °C (°F)	Max temperature on bulbs °C (°F)
0-60°C (32-140°F)	80°C (176°F)	Y08MS00060A20080	Y08ME00060A20080	Y08NE00060C20080	4±3 (7±5.5°F)	90 (195°F)
30-90°C (85-195°F)	110°C (230°F)	Y08MS30090A20110	Y08ME30090A20110	Y08NE30090C20110	4±3 (7±5.5°F)	120 (250°F)
30-110°C (90-230°F)	130°C (266°F)	Y08MS30110A20130	Y08ME30110A20130	Y08NE30110C20130	5±3 (9±7°F)	150 (300°F)

Other temperature ranges on request. Versions with °F printed knobs: replace S by T or E by G in the reference

### Knob and dial printings

Type	°C Printing			°F Printing		
	0-60°C	30-90°C	30-110°C	32-140°F	85-195°F	90-230°F
Standard softgrip knob						
Miniature knob dial for outside adjustment						
Adjustable stop big dial						

Because of permanent improvement of our products, drawings, descriptions, features used on these data sheets are for guidance only and can be modified without prior advice

