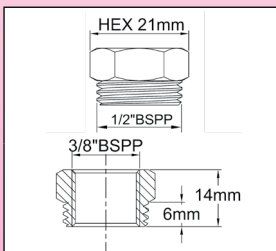
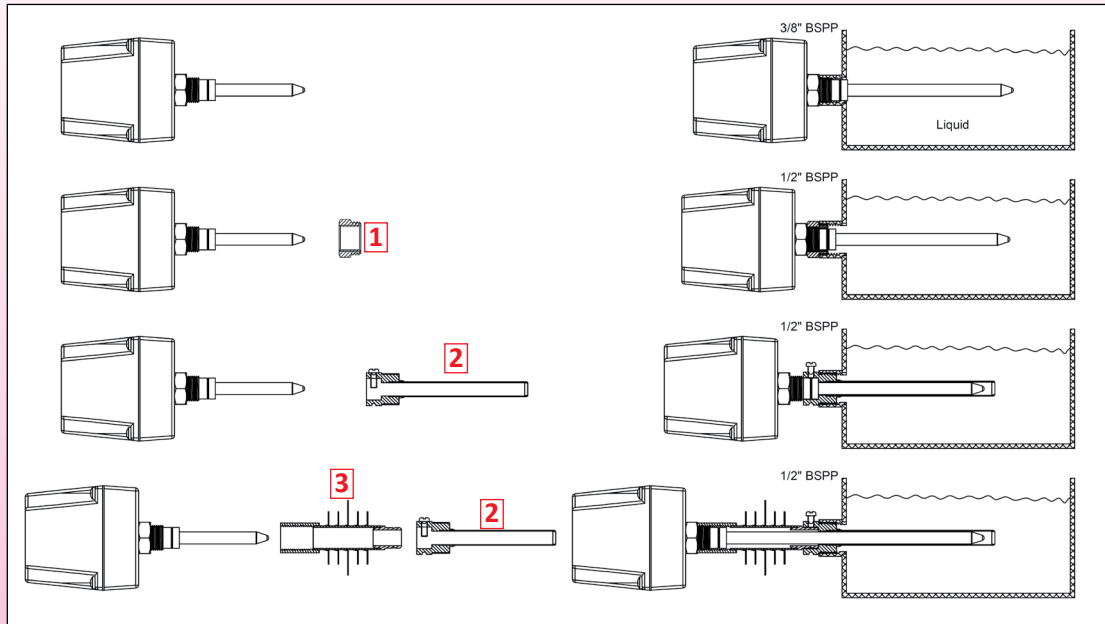
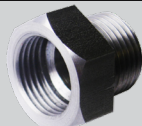


# Pockets, flanges, brackets and other accessories

## Liquid temperature sensing with rod thermostats

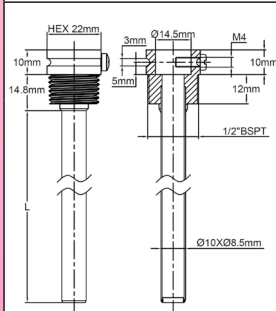


1



$\frac{3}{8}$ " x  $\frac{1}{2}$ " 304 stainless steel fitting (fits the  $\frac{3}{8}$ " thread located under the housing)

Reference 66R11238

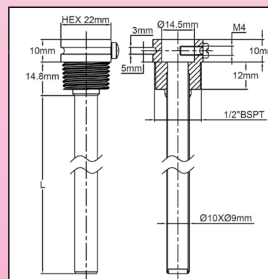


2



G  $\frac{1}{2}$ " (BSPT) Nickel plated brass pocket dia. 8.5 x 10mm, for rods dia. 8mm

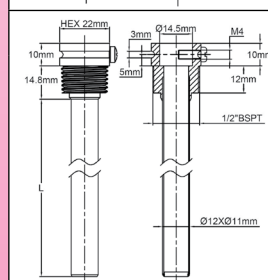
L	References
90mm	66DK12S090710
100mm	66DK12S100710
190mm	66DK12S190710
230mm	66DK12S230710
290mm	66DK12S290710
440mm	66DK12S440710



2

G  $\frac{1}{2}$ " (BSPT) Aisi 304 Stainless steel pocket dia. 9 x 10mm, for rods dia 8mm

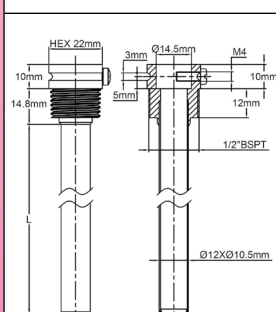
L	References
90mm	66D112S090S10
100mm	66D112S100S10
190mm	66D112S190S10
230mm	66D112S230S10
290mm	66D112S290S10
440mm	66D112S440S10



2

G  $\frac{1}{2}$ " (BSPT) Aisi 304 Stainless steel pocket dia. 11 x 12mm, for rods dia. 10mm

L	References
90mm	66D112S090S12
100mm	66D112S100S12
190mm	66D112S190S12
230mm	66D112S230S12
290mm	66D112S290S12
440mm	66D112S440S12

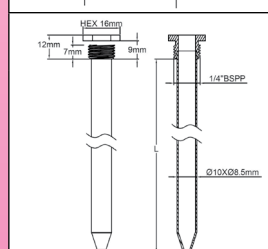


2



G  $\frac{1}{2}$ " (BSPT) Nickel plated brass pocket dia 10.5 x 12mm, for rods dia. 10mm

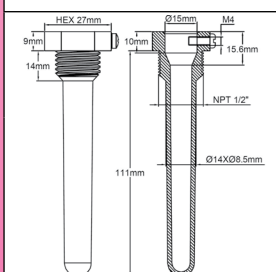
L	References
90mm	66DK12S900712
110mm	66DK12S100712
200mm	66DK12S190712
230mm	66DK12S230712
300mm	66DK12S290712
440mm	66DK12S440712



2

G  $\frac{3}{8}$ " (BSPT) Nickel plated brass pocket dia. 8.5 x 10mm, for rods dia. 8mm

L	References
100mm	66DL14P10010075N
190mm	66DL14P19010075N
290mm	66DL14P29010075N
440mm	66DL14P44010075N

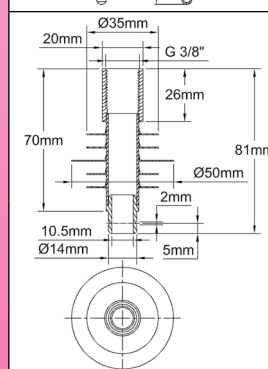


2



$\frac{1}{2}$ " NPT plastic pocket dia. 8.5 x 14mm for rods and bulbs dia 8mm (Swimming pools and corrosive water applications)

Reference 66DR12510021C000



3

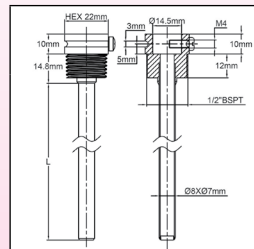
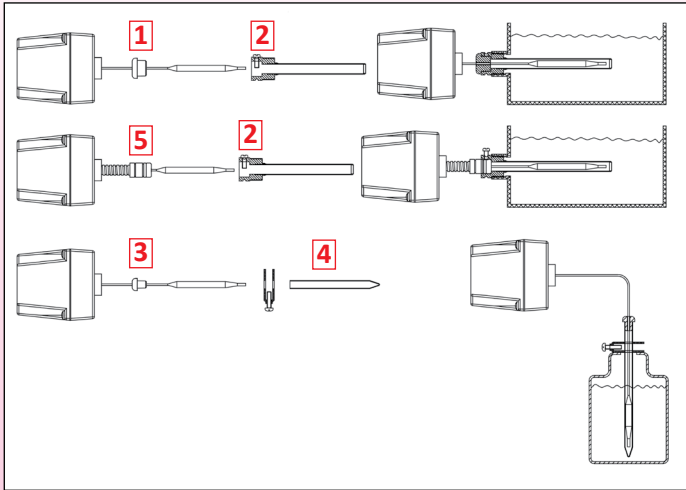
Rod cooler with 14.5mm termination. Used on high temperature rod thermostats. Fits the  $\frac{3}{8}$ " thread located under the housing and the dia. 14.5mm hole of pockets or flanges  
Not usable on YO types

Reference 66RF07015



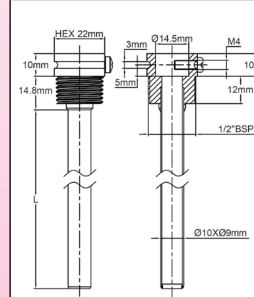
# Pockets, flanges, brackets and other accessories

## Liquid temperature sensing with bulb and capillary thermostats



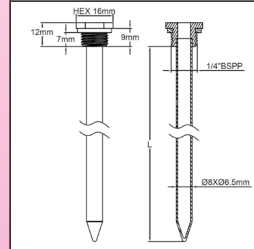
**2**  
G½ (BSPT) Stainless steel pocket dia. 7 × 8mm, for bulbs dia. 5 and 6mm

L	Reference
100mm	66DI12S100S08
190mm	66DI12S190S08
290mm	66DI12S290S08
440mm	66DI12S440S08



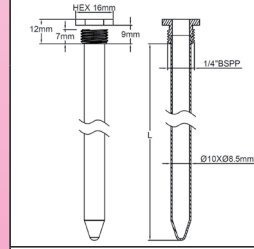
**2**  
G½ (BSPT) Stainless steel pocket dia. 9 × 10mm, for bulbs dia. 8mm

L	Reference
100mm	66DI12S100S10
190mm	66DI12S190S10
290mm	66DI12S290S10
440mm	66DI12S440S10



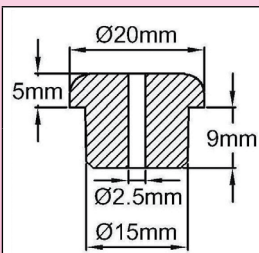
**2**  
G¼ (BSPP) Nickel plated brass pocket dia. 6.5 × 8mm, for bulbs dia. 6mm

L	References
100mm	66DL14P10010065N
190mm	66DL14P19010065N
290mm	66DL14P29010065N
440mm	66DL14P44010065N



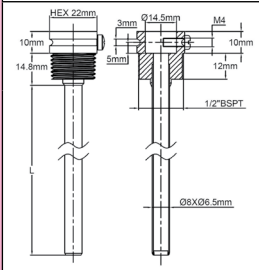
**2**  
G¼ (BSPP) Nickel plated brass pocket dia. 8.5 × 10mm, for bulbs dia. 8mm

L	References
100mm	66DL14P10010075N
190mm	66DL14P19010075N
290mm	66DL14P29010075N
440mm	66DL14P44010075N



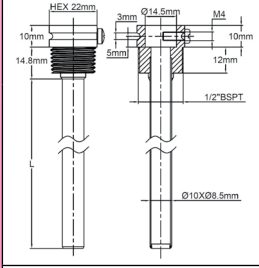
**1**  
Silicone grommet dia. 15mm for pockets with 14.5mm hole

Reference	9BBJO100004008A
-----------	-----------------



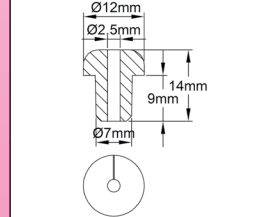
**2**  
G½ (BSPT) Nickel plated brass pocket dia. 6.5 × 8mm, for bulbs dia. 5 and 6mm

L	References
100mm	66DK12S100708
190mm	66DK12S190708
290mm	66DK12S290708
440mm	66DK12S440708



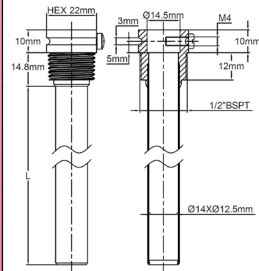
**2**  
G½ (BSPT) Nickel plated brass pocket dia. 8.5 × 10mm, for bulbs dia. 8mm

L	References
100mm	66DK12S100710
190mm	66DK12S190710
290mm	66DK12S290710
440mm	66DK12S440710



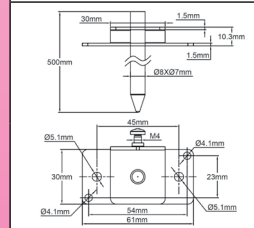
**4**  
Silicone grommet dia. 7.5mm for tubes dia. 7 × 8mm

Reference	9BBJO10000452A
-----------	----------------



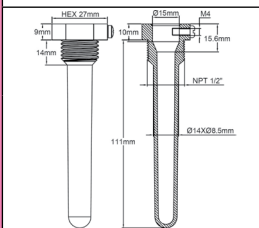
**2**  
G½ (BSPT) Nickel plated brass pocket dia. 12.5 × 14mm, for 2 bulbs dia. 6mm side by side

L	References
100mm	66DK12S100714
190mm	66DK12S190714
290mm	66DK12S290714
440mm	66DK12S440714



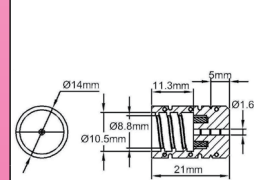
**4**  
Aisi 304, adjustable length mobile pocket for tanks, buckets, containers, pipe dia 7 × 8mm, for bulbs dia. 6mm

Reference	66DA0008050400
-----------	----------------



**2**  
½ NPT plastic pocket dia. 8.5 × 14mm, for bulbs dia. 8mm

Reference	66DR12S10021C000
-----------	------------------



**4**  
Dia. 10mm flexible corrugated tube output, plastic

Reference	9BBS10RA100003A
-----------	-----------------

Because of permanent improvement of our products, drawings, descriptions, features used on these data sheets are for guidance only and can be modified without prior advice



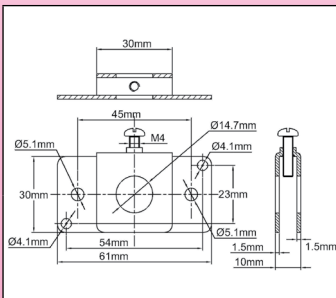
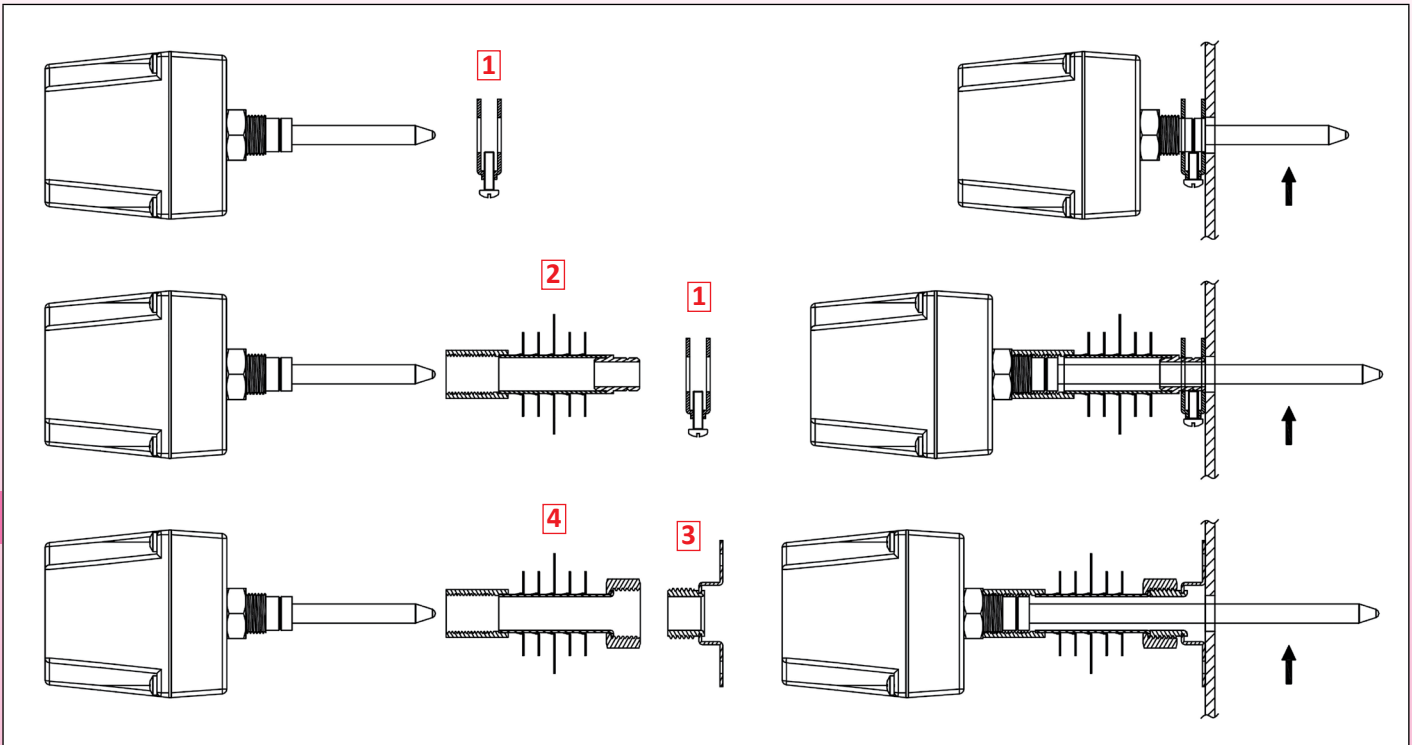
Contact us

Web: [www.ultimheat.com](http://www.ultimheat.com)

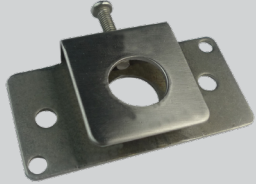
Cat2-2-16-11

# Doigts de gant, brides, platines et autres accessoires

## Air duct temperature sensing with rod thermostats

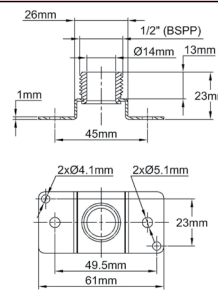


**1**




Stainless steel flange for dia. 14.5mm rod output

Reference	66BF1
-----------	-------

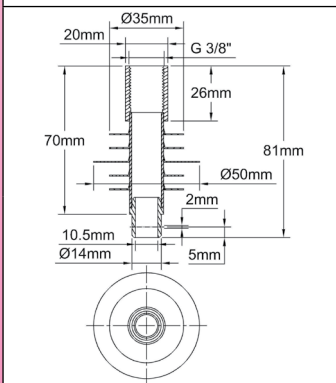


**3**




G $\frac{1}{2}$  Rod cooler bracket (for air ducts mounting)  
Not usable on Y0 types

Reference	66DA0008050400
-----------	----------------

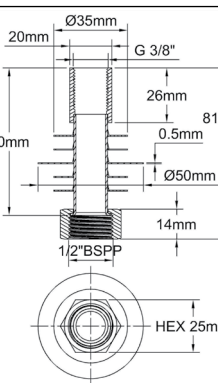


**2**




Rod cooler with 14.5mm termination.  
Used on high temperature rod thermostats.  
Fits the  $\frac{3}{8}$  thread located under the pockets or flanges  
Not usable on Y0 types

Reference	66RF07015
-----------	-----------



**4**



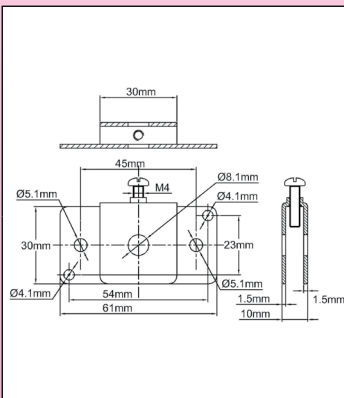
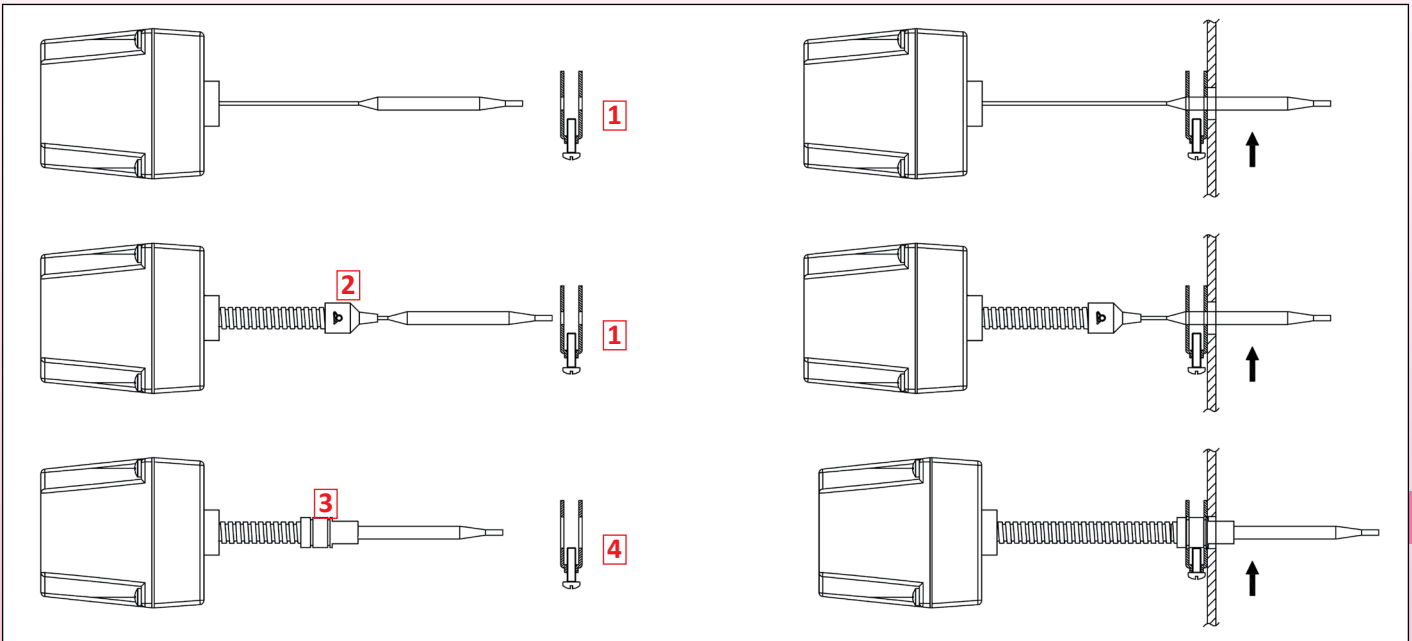
Rod cooler G $\frac{1}{2}$   
Used on high temperature rod thermostats. Fits the  $\frac{3}{8}$  thread located under the housing and the  $\frac{1}{2}$  male thread of rod cooler bracket  
Not usable on Y0 types

Reference	66RF0231M12
-----------	-------------



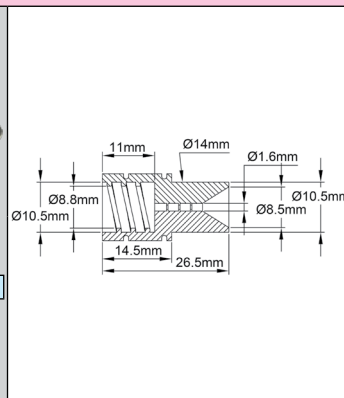
# Doigts de gant, brides, platines et autres accessoires

## Air duct temperature sensing with bulb and capillary thermostats



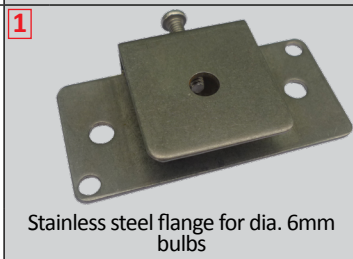
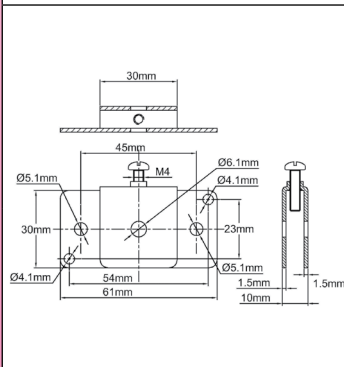
Stainless steel flange for dia. 8mm bulbs

Reference 66BF4



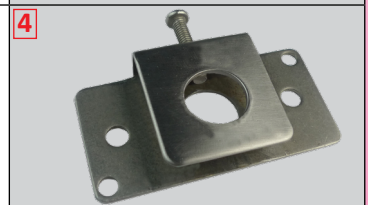
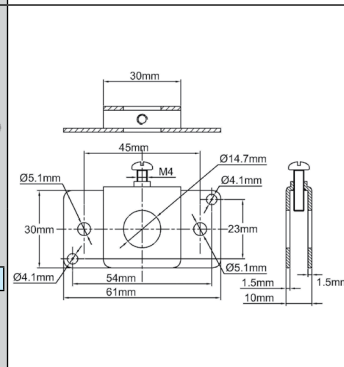
Dia. 10mm flexible corrugated tube output, through wall air duct mounting (plastic)

Reference 9BBS10RA100005A



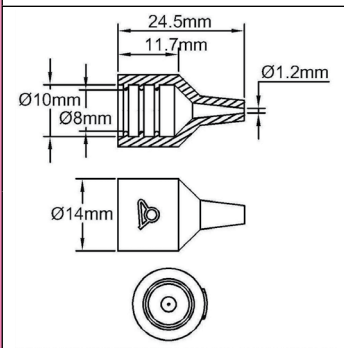
Stainless steel flange for dia. 6mm bulbs

Reference 66BF3



Stainless steel flange for dia 14.5mm capillary protection output

Reference 66BF1



Dia. 10mm flexible corrugated tube Silicone output, 1 capillary

Reference 9BBJO1000000154A

Because of permanent improvement of our products, drawings, descriptions, features used on these data sheets are for guidance only and can be modified without prior advice



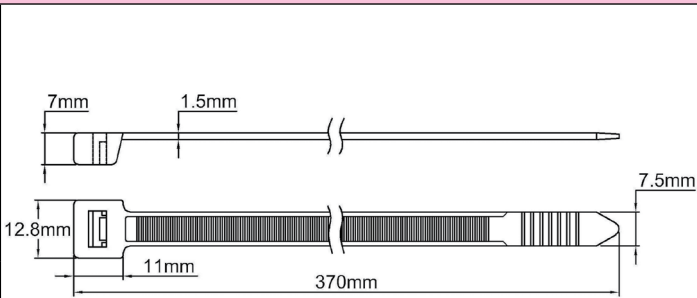
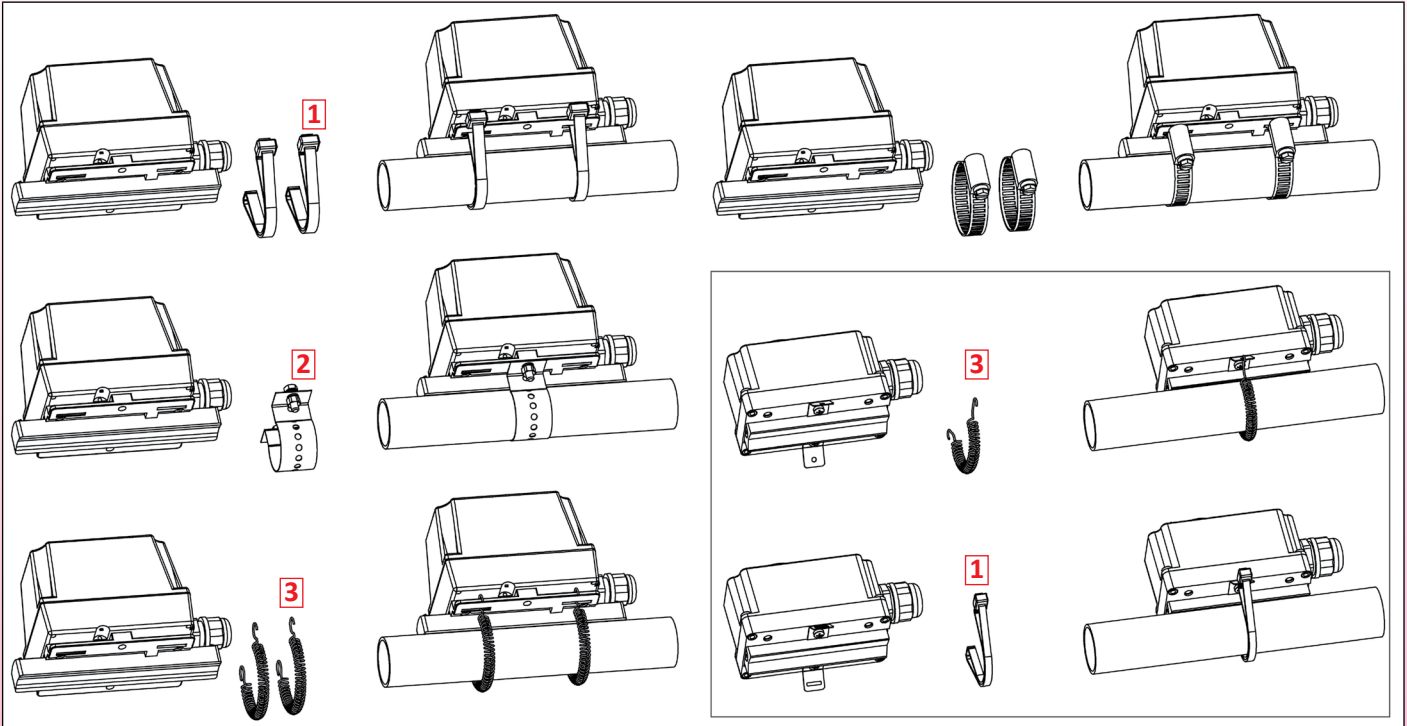
Contact us

Web: [www.ultimheat.com](http://www.ultimheat.com)

Cat2-2-16-13

# Pockets, flanges, brackets and other accessories

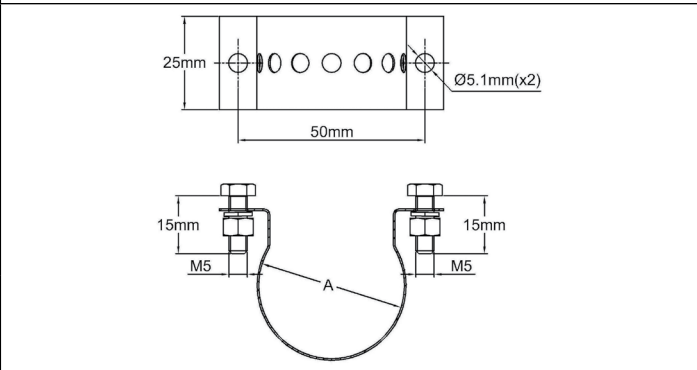
## Pipe temperature measurement



**1**

PA66 Cable tie for pipe mounting thermostats (for Y1 types). Max 80°C

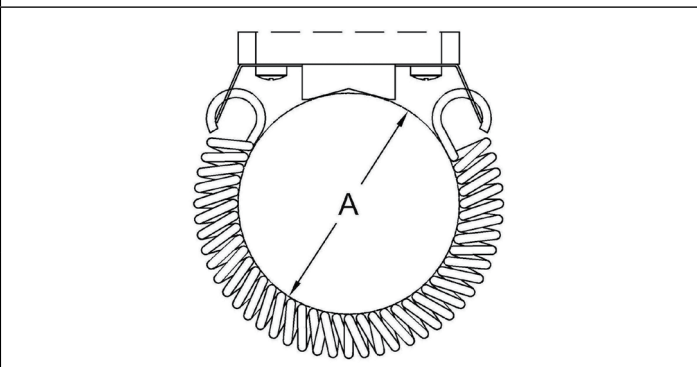
Reference	66TY002
-----------	---------



**2**

Stainless steel band for pipe mounting thermostats (for Y1 types)

Reference	66TY001
-----------	---------



**3**

Spring for pipe mounting thermostat (for Y1 and Y2 types)

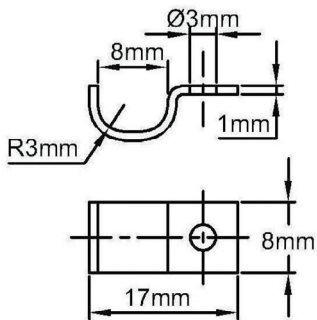
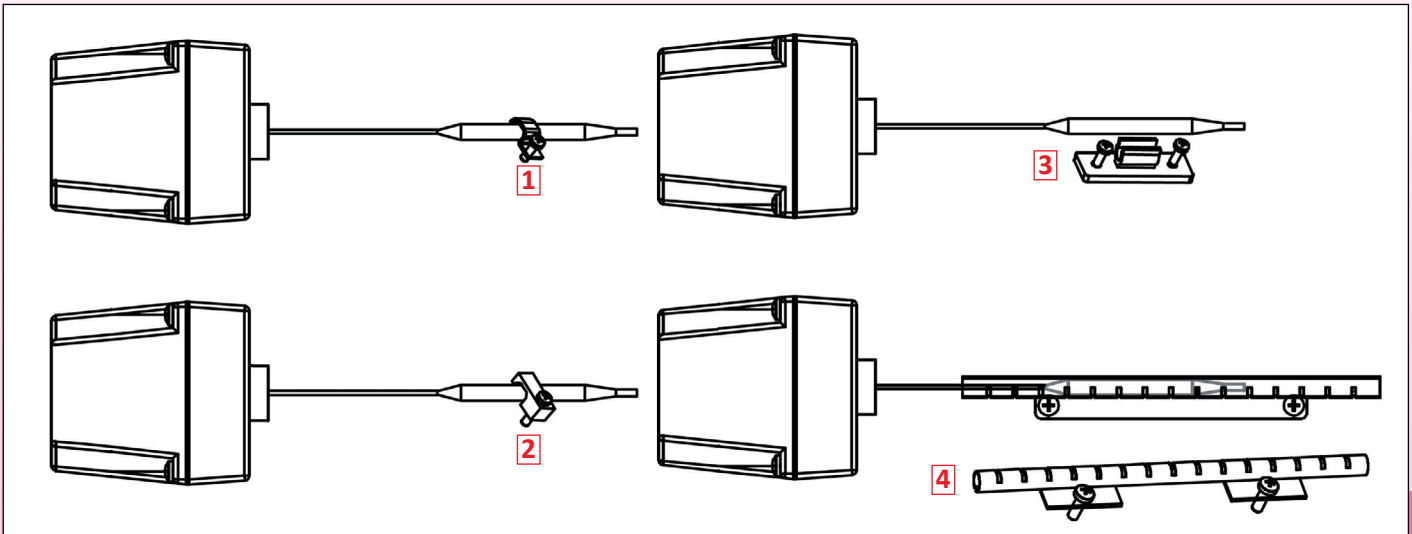
Reference	66TY003
-----------	---------

Because of permanent improvement of our products, drawings, descriptions, features used on these data sheets are for guidance only and can be modified without prior advice



# Pockets, flanges, brackets and other accessories

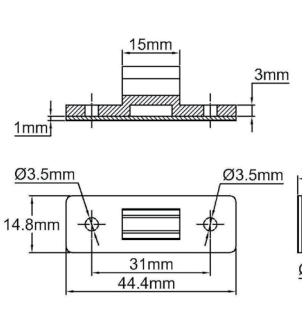
## Bulb and Capillary surface mounting accessories



**1**

Bulb mounting clips  
Stamped steel, for bulbs dia. 5 and 6mm

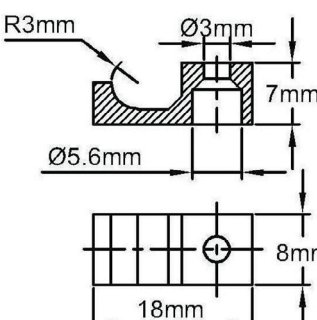
Reference 66PA045000020



**3**

Bulb mounting clips  
PA66 Plastic, 2 screw mounting or adhesive, for bulbs dia. 5 and 6mm, maximum temperature 80°C

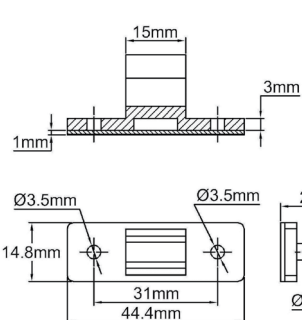
Reference 9BBFPM134211900



**2**

Bulb mounting clips  
Reinforced PC-ABS, screw mounting, for bulbs dia. 5 and 6mm, maximum temperature 90°C

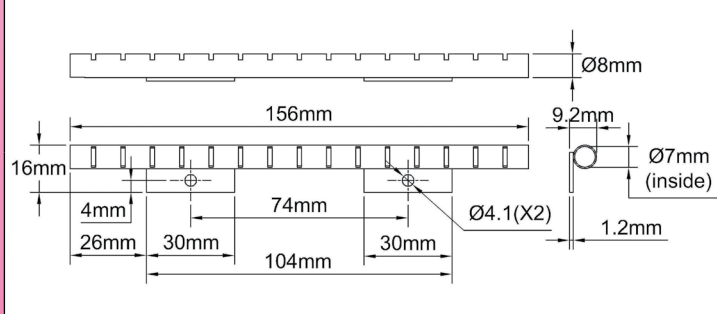
Reference 9BBAE10000AFS07A



**3**

Bulb mounting clips, PA66 Plastic, 2 screw mounting or adhesive, for bulbs dia. 8mm., maximum temperature 80°C

Reference 9BBFPM124211900



**4**

Bulb protective mounting bracket, stainless steel, 2 screw mounting, for bulbs dia. 5 and 6mm.

Reference 66DU

Because of permanent improvement of our products, drawings, descriptions, features used on these data sheets are for guidance only and can be modified without prior advice



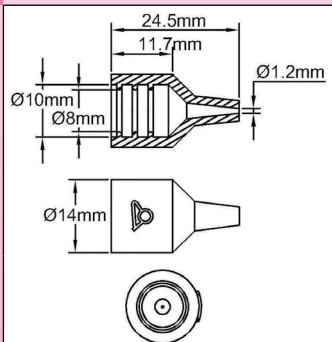
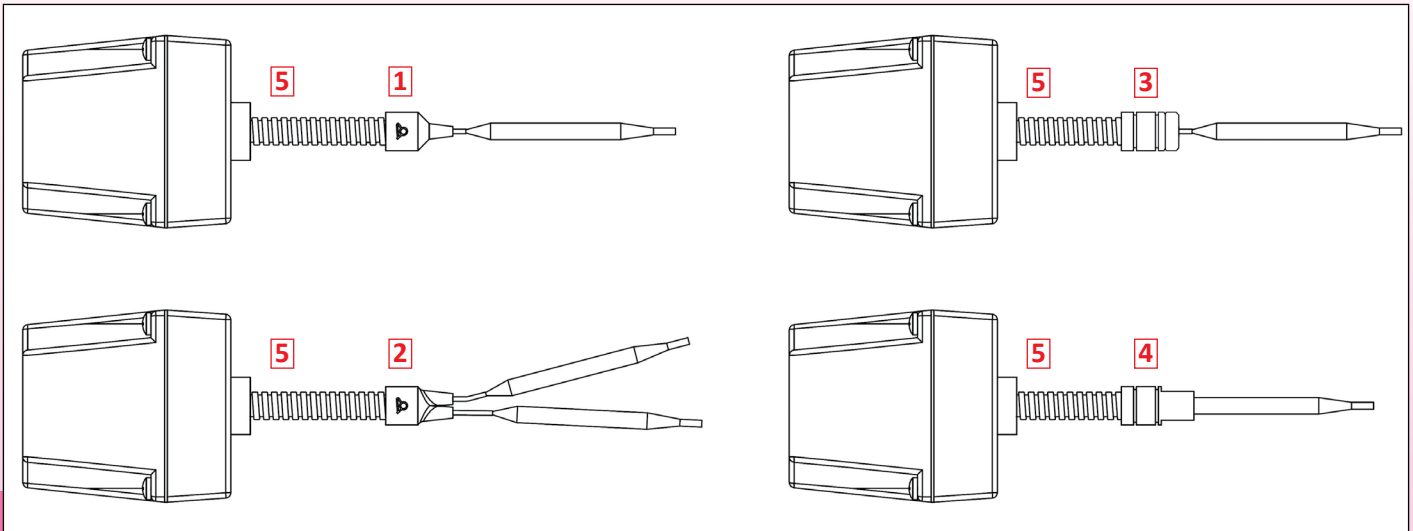
Contact us

Web: [www.ultimheat.com](http://www.ultimheat.com)

Cat2-2-16-15

# Pockets, flanges, brackets and other accessories

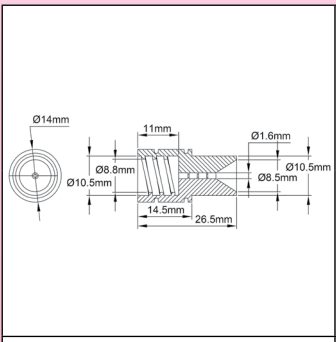
## Capillary protection for bulb and capillary thermostats and temperature sensor cables



**1**

Dia. 10mm flexible corrugated tube  
Silicone output, 1 capillary

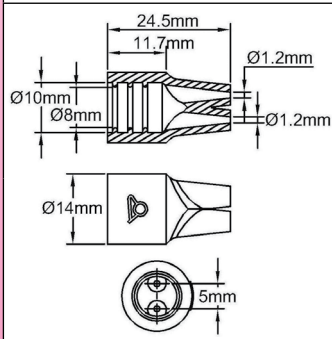
Reference	9BBJO1000000154A
-----------	------------------



**4**

Dia. 10mm flexible corrugated tube  
output, through wall air duct  
mounting plastic

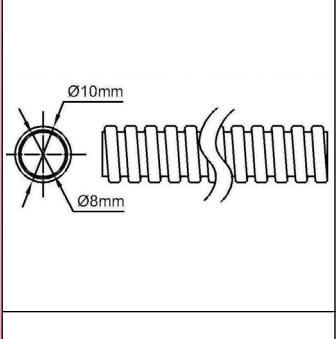
Reference	9BBS10RA100005A
-----------	-----------------



**2**

Dia. 10mm flexible corrugated tube  
Silicone output, 2 capillaries

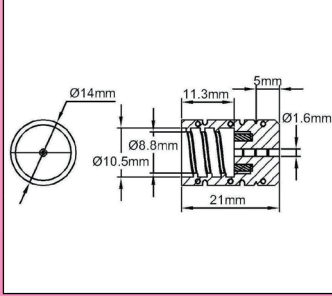
Reference	9BBJO1000000177A
-----------	------------------



**5**

Dia. 10mm corrugated flexible tube,  
stainless steel

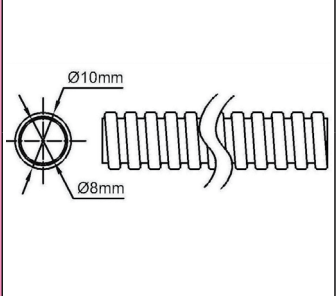
Reference	6YGSS10200 (20m reel)
-----------	--------------------------



**3**

Dia. 10mm flexible corrugated tube  
output, plastic

Reference	9BBS10RA100003A
-----------	-----------------



**5**

Dia. 10mm corrugated flexible tube,  
PA6, black, max temperature 125°C

Reference	6YGPU10200 (20m reel)
-----------	--------------------------

Because of permanent improvement of our products, drawings, descriptions, features used on these data sheets are for guidance only and can be modified without prior advice



# Pockets, flanges, brackets and other accessories

## Electrical accessories

	<p>2.5mm<sup>2</sup>, 400V, 3 way connection block (fits Y0, Y1, Y2)</p> <p>Reference: BE3E3</p>		<p>M4 ground terminal with M4 saddle. Fits Y1 and Y2 series.</p> <p>Reference: 6YEBMG004</p>
	<p>M16 Cable gland, IP68, Black PA66, cables dia 5 to 10mm (with nut and gasket). Maximum temperature 85°C. Fits Y0 and Y1 series</p> <p>Reference: 6YTPEM16C05140</p>		<p>M20 cable gland, IP68, Black PA66, cables dia. 8 to 12mm (with nut and gasket) Maximum temperature 85°C. Fits Y2 type</p> <p>Reference: 6YTPEM20C0812</p>

## Spare parts

		<p>Nickel plated brass M20 screw cap with gasket, fits Y1 with external access under screwed cap</p> <p>Reference: 6YTPEM20PB</p>		<p>Stainless steel M4 screw cap with gasket, fits Y1 with external manual reset access</p> <p>Reference: 6YTPEM04SS</p>
--	--	---	--	---

Because of permanent improvement of our products, drawings, descriptions, features used on these data sheets are for guidance only and can be modified without prior advice



Contact us

Web: [www.ultimheat.com](http://www.ultimheat.com)

Cat2-2-16-17