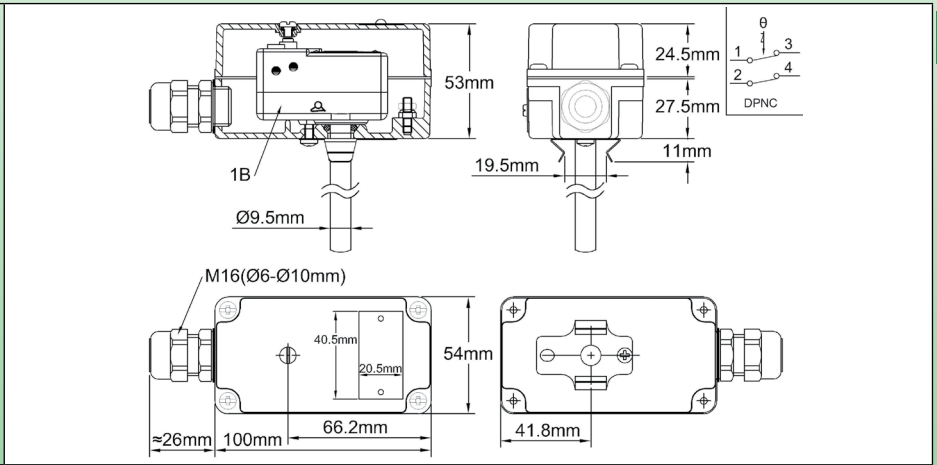


The Y1 range of thermostats with IP65 enclosures

Type	Set point adjustment	Manual reset access	Contact	Measurement	Ranges °C	Model
Manual reset 	Interne 	Screwed cap 	Single pole 	Rod 		Y1Y Adjustable limiter 1X



Applications:

- Changeover contact for switch off remote signaling

These **bimetal** rod thermostats can be installed inside pockets as immersion thermostats in pipelines and containers, and for use as **high limit safety**, in air ducts, in usual industrial application and environment. (Not suitable for hazardous areas).

- Small footprint enclosure

- Internal adjustment is convenient for products that must not be frequently adjusted.

- Manual reset with internal access under M4 screwed cap allows to reset without need to open the enclosure.

- Short response time

- Low sensibility to strong vibrations

Long electrical and mechanical life model

Housing: Aluminum, IP65, IK10, 100 × 53 × 54mm. Grey RAL7032 epoxy painting

Set point adjustment ranges: 10+130°C (+14+264°F), +15+95 °C (+59+203°F), +25+165°C (+77+329°F).

Temperature adjustment: Set point adjustable by **arrow style knob, on °C printed dial**. Consult us for °F versions

Action: High limit with manual reset and adjustable set point

Sensing element: Bimetal rod, stainless steel-Invar. A clip under the thermostat head allows mounting pockets or brackets (See pockets in the accessories section)

Electrical connections: on thermostat screw terminals

Earthing: on internal screw terminal

Cable output: M16 cable gland, PA66, for cables up to 10mm dia.

Mounting: on pockets for liquid immersion or flange for air ducts

Identification: 20 × 40mm stainless steel identification label, riveted.

Contact: SPDT

Electrical rating: 15A (4)A 250V/400VAC. Res.

Electrical life >**100,000 cycles**.

Storage minimum temperature: -50°C (-60°F)

Main references

Temperature range °C (°F)	Rod length (mm)	Reference with standard differential	Min reset differential value °C (°F)	Max. temperature on rod °C (°F)
-10+130°C (+14+264°F)	200	Y1Y1XA-10130B20L	20°C (36°F)	180°C (356°F)
+15+95°C (+59+203°F)	200	Y1Y1XA015095B20L	20°C (36°F)	145°C (293°F)
+15+95°C (+59+203°F)	300	Y1Y1XA015095B30L	15°C (27°F)	145°C (293°F)
+25+165°C (+77+329°F)	200	Y1X1XA025165B20L	20°C (36°F)	215°C (419°F)




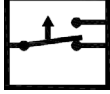

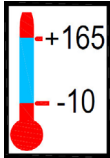


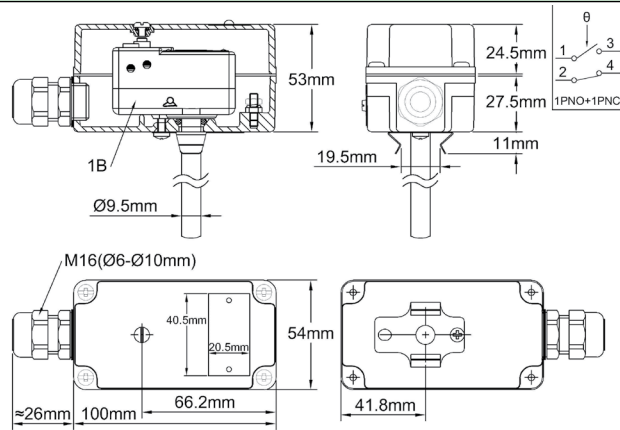
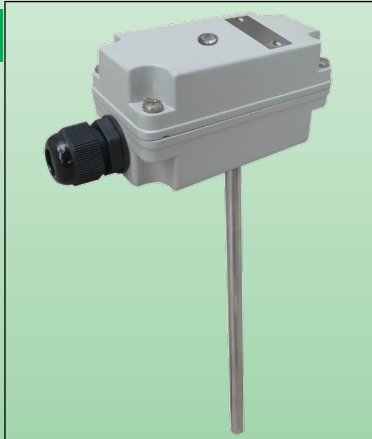
Contact us

Web: www.ultimheat.com

Cat2-2-9-5

The Y1 range of thermostats with IP65 enclosures

Type	Set point adjustment	Manual reset access	Contact	Measurement	Ranges °C	Model
Manual reset 	Interne 	Screwed cap 	Double pole 	Rod 		Y1Y Adjustable limiter 1D



Applications:

- Double pole contact for 2 phases switch off

These **bimetal** rod thermostats can be installed inside pockets as immersion thermostats in pipelines and containers, and for use as **high limit safety**, in air ducts, in usual industrial application and environment. (Not suitable for hazardous areas).

- Small footprint enclosure

- **Internal adjustment is convenient for products that must not be frequently adjusted.**

- **Manual reset with internal access under M4 screwed cap allows to reset without need to open the enclosure.**

- **Short response time**

- **Low sensibility to strong vibrations**

Long electrical and mechanical life model

Housing: Aluminum, IP65, IK10, 100 × 53 × 54mm. Grey RAL7032 epoxy painting

Set point adjustment ranges: **10+130°C (+14+264°F)**, **+15+95 °C (+59+203°F)**, **+25+165°C (+77+329°F)**.

Temperature adjustment: Set point adjustable by **arrow style knob, on °C printed dial**. Consult us for °F versions

Action: High limit with manual reset and adjustable set point

Sensing element: Bimetal rod, stainless steel-Invar. A clips under the thermostat head allows mounting pockets or brackets (See pockets in the accessories section)

Electrical connections: on thermostat screw terminals

Earthing: on internal screw terminal

Cable output: M16 cable gland, PA66, for cables up to 10mm dia.

Mounting: on pockets for liquid immersion or flange for air ducts

Identification: 20 × 40mm stainless steel identification label, riveted.

Contact: DPST, open on temperature rise

Electrical rating: 15A (4)A 250V/400VAC. Res.

Electrical life > **100,000 cycles**.

Storage minimum temperature: -50°C (-60°F)

Main references

Temperature range °C (°F)	Rod length (mm)	Reference with standard differential	Min reset differential value °C (°F)	Max. temperature on rod °C (°F)
-10+130°C (+14+264°F)	200	Y1Y1DA-10130B20L	20°C (36°F)	180°C (356°F)
+15+95°C (+59+203°F)	200	Y1Y1DA015095B20L	20°C (36°F)	145°C (293°F)
+15+95°C (+59+203°F)	300	Y1Y1DA015095B30L	15°C (27°F)	145°C (293°F)
+25+165°C (+77+329°F)	200	Y1Y1DA025165B20L	20°C (36°F)	215°C (419°F)

