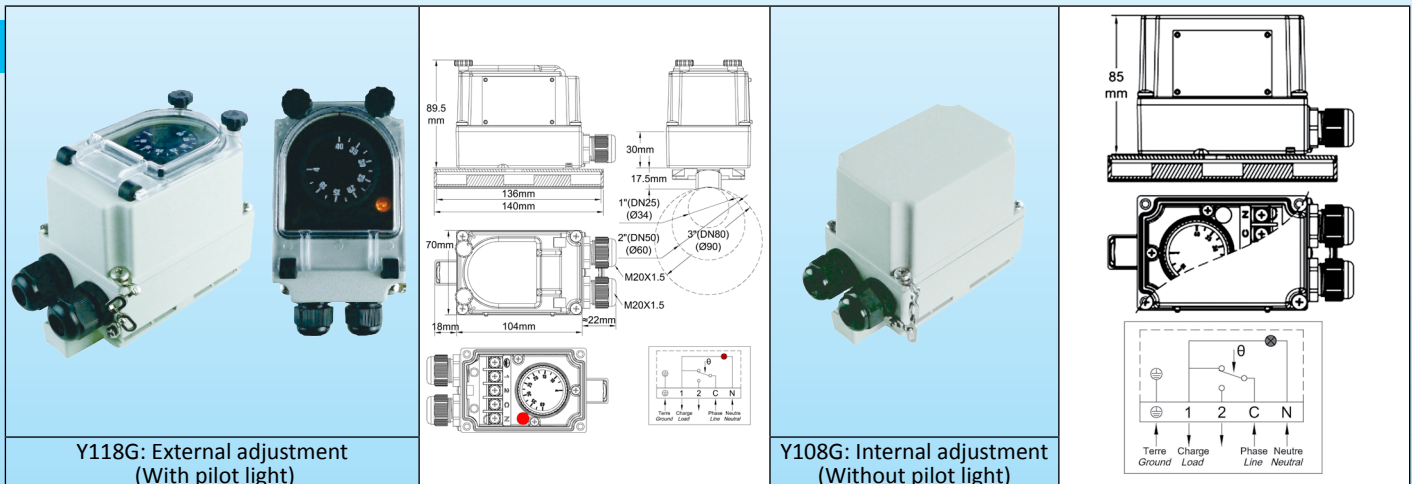


# Pipe mounting thermostats

Enclosure	Type	Operation	Contact	Measurement	Ranges °C	Models
IP65 IK10	Control	Mechanical	SPDT	Pipe		<b>Y118G</b> <b>Y108G</b>
Material						
Aluminum						



Y118G: External adjustment  
(With pilot light)

Y108G: Internal adjustment  
(Without pilot light)

## Applications:

Pipes surface temperature control in usual industrial applications and environments, (No suitable for hazardous areas)  
Internal adjustment is convenient for products that must not be frequently adjusted.

**Housing:** Aluminum, IP65, IK10. Grey RAL7032 epoxy painting. Stainless steel captive cover screws. Captive aluminum lid.

**Set point adjustment ranges:** 0-60°C (32-140°F); 0-90°C (32-195°F); 30-90°C (85-195°F); 30-110°C (85-230°F);

**Set point adjustment:** By °C printed knob. All types have an adjustable rotation limit system located inside the knob that allows reducing the set point adjustment span. Types with external adjustment have a transparent window. This device allows seeing the pilot light and the knob position. °F values are available as an option.

**Action:** Temperature control, On-Off action

**Sensing element:** Liquid expansion bulb inside aluminum bracket in contact with the pipe surface.

The bracket design provides optimized thermal contact with 34mm (1", DN25), 60mm (2", DN50) and 90mm (3", DN80) outside diameter tubes. For intermediate sizes, we recommend the use of thermal grease.

**Electrical connections:** Inside, on screw terminal connection block.

**Earthing:** Internal and external screw terminal.

**Pilot light:** Allows to visualize thermostat contact output position. Standard for all models with transparent window. Non Standard and on special request only for models with plain aluminum cover.

**Cable input and output:** Two M20 cable glands, Black PA66.

**Mounting:** The thermostat housing can be fixed on the pipe by worm drive hose clamps (DIN3017), nylon cable ties (Tie wraps upon EN50146, for applications at permanent temperature lower than 85°C), or specific stainless steel punched band (see accessories at the end of this catalog)

**Identification:** Metallic identification label, riveted.

**Contact:** SPDT

**Electrical rating, resistive loads:**

- Open on temperature rise contact (C-1)  
16A 250V, 50 ~60Hz: >100000 cycles,  
20A 250V, 50 ~60Hz: ≥50000 cycles,  
10A 400V, 50 ~60Hz: ≥50000 cycles.

- Close on temperature rise contact (C-2)  
(C-2): 6A 250V 50 ~60Hz: >100000 cycles

**Electrical rating, inductive loads:**

- Open on temperature rise contact (C-1): 6A 250V, 50 ~60Hz: >100000 cycles
- Close on temperature rise contact (C-2): 0.6A 250V 50 ~60Hz: >100000 cycles

**Minimum storage temperature:** -35°C (-30°F)

**Maximum ambient temperature:** 60°C (140°F)

For more technical information ask 8G thermostat technical data sheet



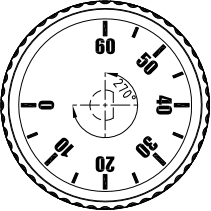
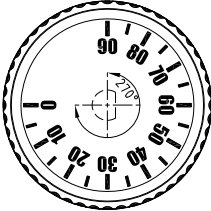
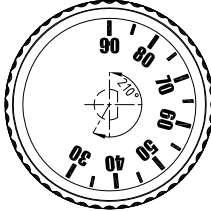
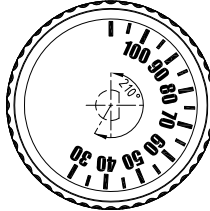
# Pipe mounting thermostats

## Main references

Temperature adjustment ranges °C (°F)	Reference with external adjustment	Reference with internal adjustment	Differential °C (°F)	Max. temperature on tube °C (°F)
0-60°C (32-140°F)	Y118G000060AA80J	Y108G000060AA80J	2.5±1°C (4.5±1.8°F)	80°C (176°F)
0-90°C (32-195°F)	Y118G000090AA80J	Y108G000090AA80J	4±3°C (7±5.5°F)	120°C (250°F)
30-90°C (85-195°F)	Y118G030090AA80J	Y108G030090AA80J	4±3°C (7±5.5°F)	120°C (250°F)
30-110°C (85-230°F)	Y118G030110AA80J	Y108G030110AA80J	5±3°C (9±5.5°F)	150°C (300°F)

°F printing: replace last character (J) by K.

## Knobs printing.

°C Printing			
0-60°C	0-90°C	30-90°C	30-110°C
			
°F Printing			
32-140°F	32-195°F	85-195°F	90-230°F
