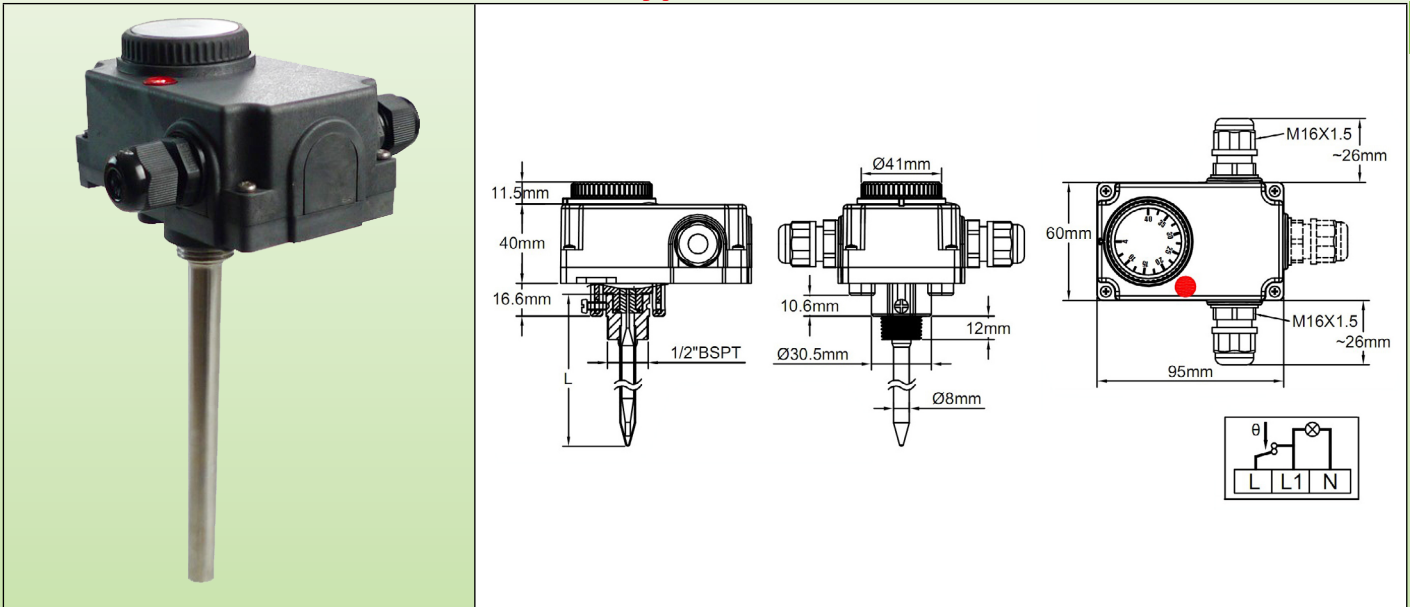


Because of permanent improvement of our products, drawings, descriptions, features used on these data sheets are for guidance only and can be modified without prior advice

Rod thermostat, 2 or 3 cable gland IP44 enclosure, for heat control, with built-in pilot light. Stainless steel or nickel plated brass pocket

Thermostat with IP44 extra flat plastic enclosure, 95 × 60 × 40mm, with pilot light. Rod temperature sensor. Stainless steel or Brass pocket. 1, 2 or 3 cable glands

Type YOB



Applications

Temperature control of tanks or pipes in professional premises where good protection against liquid splashes or dust is requested.

Output with 2 or 3 cable glands, allowing direct connection of immersion heaters.

Housing: Small height, IP44, 95 × 60 × 40 mm, (Knob and cable glands not included), black PC-ABS, UL94V0. High impact and UV resistance. 2 removable wall mounting lugs.

Electrical input: M16 cable glands. Delivered with 2 cable glands (3 on request). Positioning the cable glands allows variations in the mounting position

Temperature adjustment: With °C printed knob. (°F printed knobs available in option)

Sensing element: Liquid filled bulb, located inside a backside mounted 304L stainless steel pocket.

Adjustment ranges: -35+35°C (-30+95°F), 4-40°C (40-105°F), 30-90°C (85-195°F), 30-110°C (90-230°F)

Rod length: 90, 230, 300 mm. Other length on request

Mounting:

- by the 1/2"BSPT (Tapped) pocket fitting (nickel plated brass pocket)

- by the 1/2"BSPP (parallel) pocket fitting (stainless steel pocket)

Electrical connections: On screw terminals. (It is possible to connect 2 wires 1.5mm² on each terminal.)

Contact: SPNC (open on temperature rise). One terminal is available for neutral connection. SPDT contact available on request but it is not compatible with neutral terminal and pilot light.

Electrical rating: 16A (2.6) 250VAC

- Electrical life >100,000 cycles.

Main references with nickel plated brass pocket*

Temperature ranges (°C)	Temperature ranges (°F)	References in °C with rod length L=90 mm**	References in °C with rod length L=230 mm**	References in °C with rod length L=300 mm**	Differential	Max temperature on rod
-35+35°C	-30+95°F		YOB8GD-35035N23J	YOB8GD-35035N30J	3±2°C (5.5±4°F)	55°C (130°F)
4-40°C	40-105°F		YOB8GD004040N23J	YOB8GD004040N30J	3±2°C (5.5±4°F)	60°C (140°F)
30-90°C	85-195°F	YOB8GD030090N09J	YOB8GD030090N23J	YOB8GD030090N30J	4±3°C (7±5.5°F)	120°C (250°F)
30-110°C	90-230°F	YOB8GD030110N09J	YOB8GD030110N23J	YOB8GD030110N30J	5±3°C (9±7°F)	150°C (300°F)



Contact us

Web: www.ultimheat.com

Cat2-2-6-7

Rod thermostat, 2 or 3 cable gland IP44 enclosure, for heat control, with built-in pilot light. Stainless steel or nickel plated brass pocket

Main references with AISI 304 pocket*

Temperature ranges (°C)	Temperature ranges (°F)	References in °C with rod length L=90 mm**	References in °C with rod length L=230 mm**	References in °C with rod length L=300 mm**	Differential	Max temperature on rod
-35+35°C	-30+95°F		Y0B8GD-35035I23J	Y0B8GD-35035I30J	3±2°C (5.5±4°F)	55°C (130°F)
4-40°C	40-105°F		Y0B8GD004040I23J	Y0B8GD004040I30J	3±2°C (5.5±4°F)	60°C (140°F)
30-90°C	85-195°F	Y0B8GD030090I09J	Y0B8GD030090I23J	Y0B8GD030090I30J	4±3°C (7±5.5°F)	120°C (250°F)
30-110°C	90-230°F	Y0B8GD030110I09J	Y0B8GD030110I23J	Y0B8GD030110I30J	5±3°C (9±7°F)	150°C (300°F)

Other temperature range, consult us

* 3 cable gland version: replace C8G by C8H in the reference

** Versions with °F printed knobs: replace the last character J by K in the reference

Knob printings

°C Printing				°F Printing			
-35+35°C	4-40°C	30-90°C	30-110°C	-30+90°F	40-105°F	85-195°F	85-230°F

Because of permanent improvement of our products, drawings, descriptions, features used on these data sheets are for guidance only and can be modified without prior advice

