

Manual reset electronic adjustable limiter, pipe mounting

Enclosure	Type	Operation	Contact	Measurement	Ranges °C	Models
IP65, IK10	Limiter	Electronic	SPNO or SPNC	Pipe		Y112L Y102L
Material						
Aluminum						
<p>Y112L: External adjustment and external reset (With pilot light)</p>				<p>Y102L: Internal adjustment and reset (Without pilot light)</p>		

Applications:

Pipes surface **temperature alarm or high limit** in usual industrial applications and environments. (No suitable for hazardous areas)

Internal adjustment is convenient for products that must not be frequently adjusted.

Housing: Aluminum, IP65, IK10. Grey RAL7032 epoxy painting. Stainless steel captive cover screws. Captive aluminum lid.

Operation: Microprocessor manual reset electronic limiter, with adjustable set point.

Adjustment ranges: 4-40°C (40-105°F); 30-90°C (85-195°F).

Set point adjustment: By °C printed knob. All types have an adjustable rotation limit system located inside the knob that allows reducing the set point adjustment span. Types with external adjustment have a transparent window. This device allows seeing the pilot light and the knob position. °F values are available as an option.

Reset: by push button switch beside the knob.

Sensing element: NTC sensor inside aluminum bracket in contact with the pipe surface. The bracket design provides optimized thermal contact with 34mm (1", DN25), 60mm (2", DN50) and 90mm (3", DN80) outside diameter tubes. For intermediate sizes, we recommend the use of thermal grease.

Cable input and output: Two M20 cable glands, Black PA66. Internal electrical connection on screw terminals. 2 phases power supply (Line+ Neutral, 220~250V, 50Hz~60Hz) are mandatory.

Earthing: Internal and external screw terminal.

Pilot light: Allows to visualize thermostat contact output position. Standard for all models with transparent window. Non Standard and on special request only for models with plain aluminum cover.

Mounting: The thermostat housing can be fixed on the pipe by worm drive hose clamps (DIN3017), nylon cable ties (Tie wraps upon EN50146, for applications at permanent temperature lower than 85°C), or specific stainless steel punched band (see accessories at the end of this catalog).

Identification: Metallic identification label, riveted.

Contact: SPST. 16A (2.6), 250VAC. Open or close on temperature rise. **The version with contact closing on temperature rise is used to switch on an alarm. The version with contact opening on temperature rise is used to switch-off heating.**

Electrical life: >100,000 cycles.

Minimum storage temperature: -35°C (-30°F)

Maximum ambient temperature: 60°C (140°F)

For more technical information ask ZPE2N6 thermostat technical data sheet.



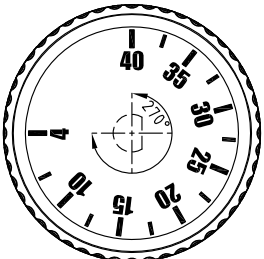
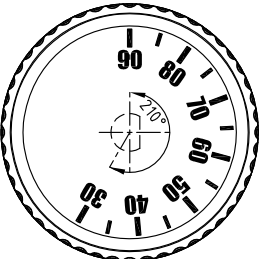
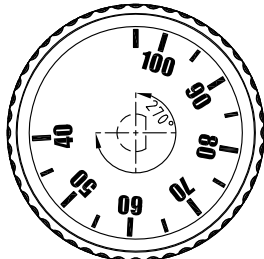
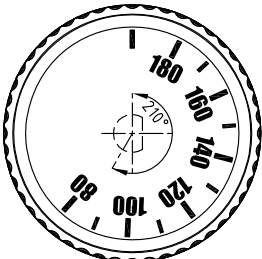
Manual reset electronic adjustable limiter, pipe mounting

Main references

Temperature adjustment ranges °C (°F)	Open on temperature rise contact		Close on temperature rise contact		Max. temperature on tube °C (°F)
	Reference with external adjustment	Reference with internal adjustment	Reference with external adjustment	Reference with internal adjustment	
4-40°C (40-105°F)	Y112PN6F204040AJ	Y102PN6F204040AJ	Y112PN6G204040AJ	Y102PN6G204040AJ	100°C (212°F)
30-90°C (85-195°F)	Y112PN6F230090AJ	Y102PN6F230090AJ	Y112PN6G230090AJ	Y102PN6G230090AJ	100°C (212°F)

°F printing: replace last character (J) by K.

Knob printings

°C Printing		°F Printing	
4-40°C	30-90°C	40-105°F	85-195°F
			

Because of permanent improvement of our products, drawings, descriptions, features used on these data sheets are for guidance only and can be modified without prior advice



Contact us

Web: www.ultimheat.com

Cat2-2-15-7