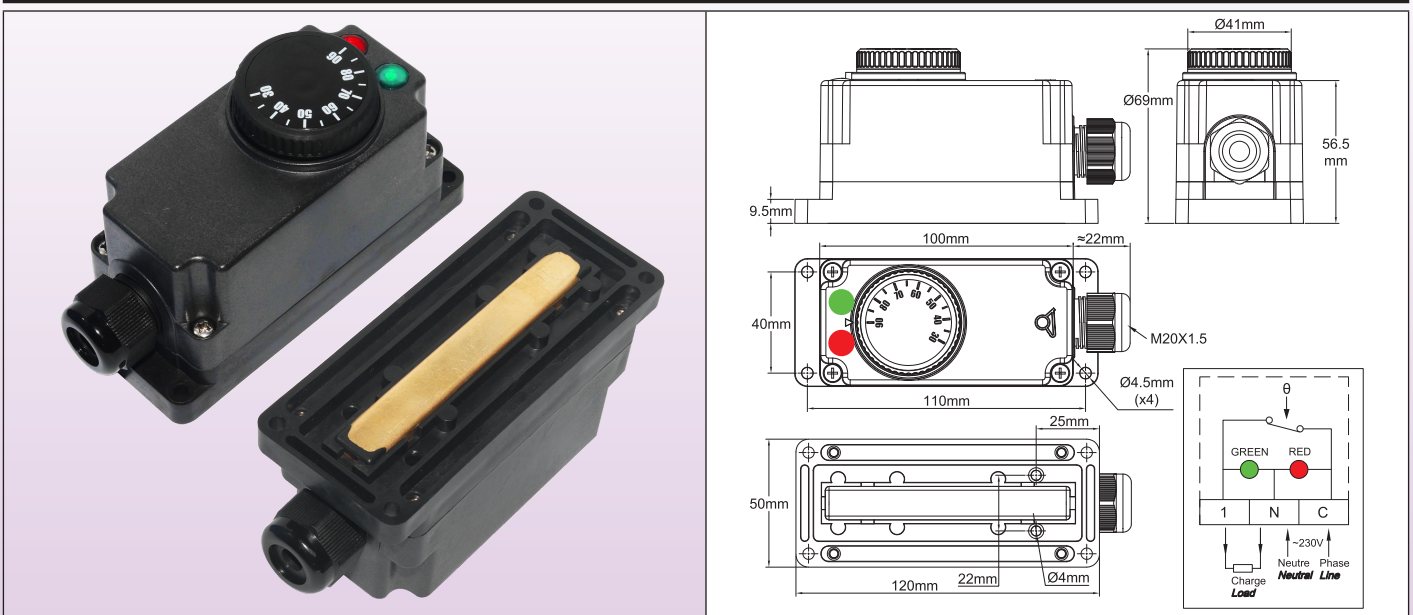


Thermostat with external knob adjustment, IP65, with two pilot lights, for industrial jacket and blanket heaters.

Type Y2U



Applications

Developed for industrial applications in electric blankets, heating belts, jacket heaters, this thermostat is equipped with a flat sensitive part allowing to put it in contact with a surface, 4 holes allowing to mount it on this surface, and a direct passage between the connection terminal block and the back of the housing, for the passage of wires to the heating element.

Main Features

**Housing:** IP65, 120 x 50 x 69 mm, fiberglass reinforced PA66, UL94V0. High impact and UV resistance, with silicone waterproof gasket on thermostat shaft.

**Electrical input:** ISO M20 cable gland, Black PA66, IP67, for cables from 6 to 12 mm dia.

**Electrical output:** 2 dia.4 mm holes, located on the backside face, allow to introduce the heating element wires directly inside the housing. If IP65 ingress protection is requested on the backside, these 2 holes must be sealed around the wires with RTV silicone.

**Temperature adjustment:** By temperature printed knob.

**Sensing element:** Liquid filled bulb, located inside the brass cap.

**Adjustment ranges:** 30-90°C (85-195°F), 30-110°C (85-230°F).

**Pilot lights:** Allow to visualize the power supply and thermostat contact position.

**Electrical connections:** Inside, on 2.5mm<sup>2</sup> screw terminals connection block.

**Mounting:** By 4 holes for screws dia. 4mm, 40 x 110 mm distance.

**Electrical rating:** Open on temperature rise contact (C-1), 16A (2.6) 250VAC, >100.000 cycles.

**Minimum Storage temperature:** -35°C (-30°F)

**Maximum ambient temperature:** 110°C (230°F)

Main part numbers

Part numbers with knobs printed in °C	Part numbers with knobs printed in °F	Temperature adjustment range °C (°F)	Differential °C (°F)
Y2U8GB030090AA66	Y2U8GB030090AA67	30-90°C (85-195°F)	4±3°C(7±5.5 °F)
Y2U8GB030110AA66	Y2U8GB030110AZ67	30-110°C (85-230°F)	5±3°C (9±5.5 °F)

Because of permanent improvement of our products, drawings, descriptions, features used on these data sheets are for guidance only and can be modified without prior advice



