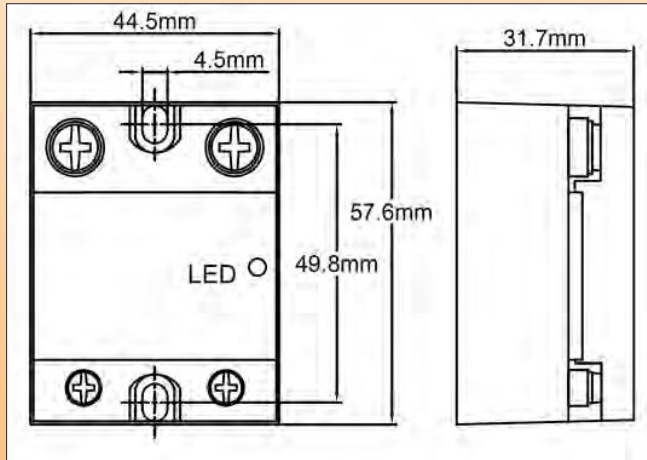


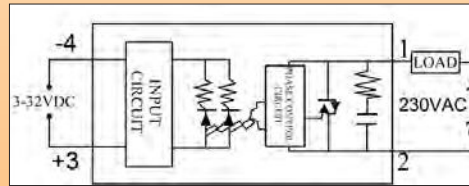
Single and Three-phase solid state relays

Solid state relay, 3-32VDC input, cut to zero.
Compatible with the relay (SSR) output of electronic controllers.

Single phase



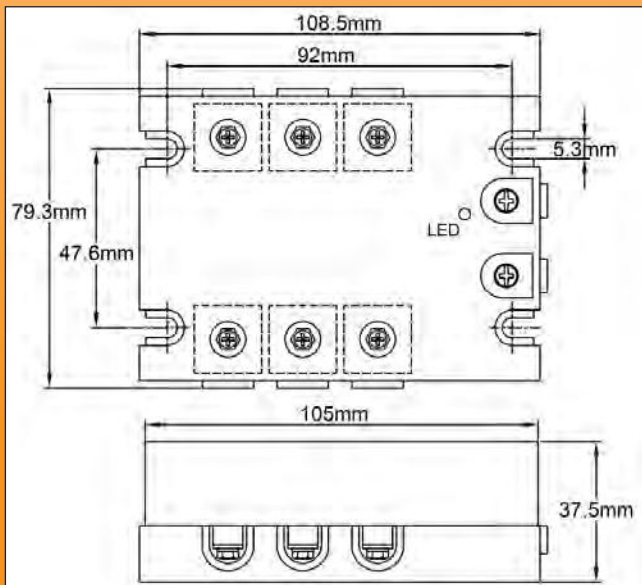
Dimensions: 58 x 45.5 x 30.5 mm
Mounting: two holes dia 4.5 holes, 47.5 to 50 mm spacing
Operating voltage range: 28-285 V AC, 47 to 63 Hz
Input signal: 3-32V DC, 3 to 35 mA current
Voltage drop in open position (current flowing): <1.5VAC
Closed position leakage current (current not flowing): <2mA
Opening and closing maximum times: less than 10 ms
Dielectric insulation: 2500VAC
Non repetitive over-current (I_{tsm}) :
 10A modele: 100A
 20A modele: 200A
 30A modele: 300 A
Insulation resistance: > 100 Mohms /500VAC
Output indication On: with LED
Operating temperature: -30 +75 ° C
Thermal dissipation: approx. 0.3% of the average power
Connections :



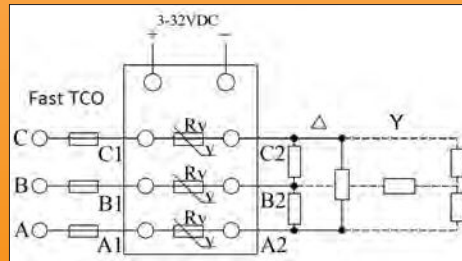
Reference	Current
91GJW10240	10A
91GJW20240	20A
91GJW30240	30A

Electromagnetic contactors and relays: see page 85

Three phase



Dimensions: 108.5 x 76.3 x 37.5 mm
Mounting: 4 holes M4, 48 x 92 mm spacing
Operating voltage range: 24-440 V AC, 47 to 63 Hz
Input signal: 3-32V DC, 12 to 25 mA current
Voltage drop in open position (current flowing): <1.5VAC
Closed position leakage current (current not flowing): <10mA
Opening maximum times: < 10 ms
Non repetitive over-current (I_{tsm}) :
 10A modele: 100A
 20A modele: 200A
 30A modele: 300 A
Dielectric insulation: 2500 VAC
Insulation resistance: > 100 Mohms /500VAC
Output indication On: with LED
Operating temperature: -30 +75 ° C
Connections :



Reference	Current
91GJH10440	10A
91GJH20440	20A
91GJH30440	30A

Electromagnetic contactors and relays: see page 85

The solid state relays in this range are cut-to-zero equipped. They are compatible with the electronic controllers SSR outputs. The insulation between the control circuit and the power circuit is carried out by photo-electric coupling. They include an RC protection against power surges.

Because of permanent improvement of our products, drawings, descriptions, features used on these data sheets are for guidance only and can be modified without prior advice

