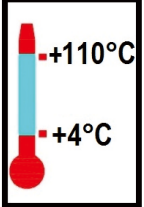


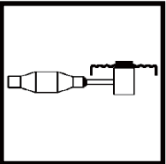


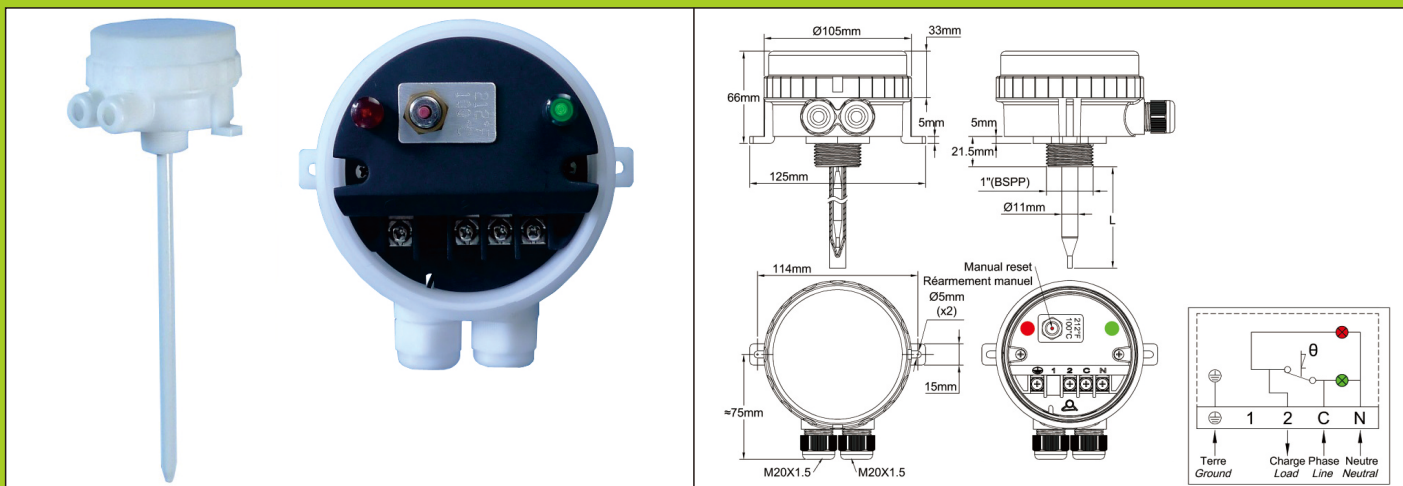


High limit manual reset thermostat, fail safe, with high corrosion resistance housing, specifically designed for surface treatment baths, and highly basic or acid corrosive liquids or environments.

Enclosure	Type	Operation	Contact	Measurement	Ranges °C	Models
IP66,IK10	Manual	Mechanical	SPNC	Rod		YF5L
						



Main applications

High limit manual reset temperature control or surface treatment or corrosive liquid baths, sea water environment, livestock premises.

Housing: Protection class IP 66 upon EN 60529 (waterproof spray water under high pressure and sea splashes, totally dust tight), dia. 105mm, height 66mm (excluding accessories and cable glands), made of plastic. Includes an adjustable thermostat that can be set after unscrewing the cover. To eliminate the enclosure risk of corrosion, there is no metallic part in contact with the external environment. Cover gasket and cable gland stuffing sets are made in EPDM. Rod seal is made of fluorocarbon elastomer FKM (Viton). The cover can be unscrewed by hand, but it is also possible to use a hook spanner.

Electrical connections: Cable input/output by two M20 cable glands. Electrical connection on screw terminals

Temperature Adjustment: not adjustable, factory set and sealed. Manual reset. The reset is possible only when the temperature has decreased to a normal value.

Sensing element: Liquid filled bulb. Fail safe: if the sensing element is broken or leaks, the thermostat will automatically switch off the power.

Fixed set point calibration: Must be specified on order, from 4°C (32 °F) to 110°C (230°F)

Rod dimensions: Outside diameter (D) before optional sleeving is 10mm. Length (L): 450mm, 600mm (300mm, 800mm and 1000mm on request)

Rod material and sleeving:

- SUS 316L without sleeving
- Titanium
- SUS 316L with shrunk PTFE sleeve, thickness 0.4 to 0.6mm

Mounting:

- By the 1" BSPT thread Mounting through wall is watertight when used with the 1" nut and seal. (See accessories)
- By a rotatable plastic bracket, enabling mounting on tank edge (See accessories)
- By the 2 legs on the side (2 holes dia 5 mm center distance 113 mm)

Electrical contact:

- SPNC, Open on temperature rise contact (C-1) 16A(2.6) 250VAC
- Electrical life >100.000 cycles.

Power supply and power output pilot lights (Neutral is mandatory).

Cover and housing material options:

- Black PA66, glass filled body, and polycarbonate (PC) transparent cover, suitable for most applications in medium low to medium corrosive liquids, up to 90 °C. Allows to view constantly input and output power supply and thermostat set point. Excellent mechanical strength of the housing (IK10). Very good UV resistance.
- Orange PP (polypropylene) body, with transparent polycarbonate (PC) cover: Very good resistance to strong bases, good resistance to acids. For use in liquids up to 90 °C. Allows to view constantly input and output power supply and thermostat set point. Reduced mechanical strength (IK8).
- Orange PP (polypropylene) body, with opaque orange PP (polypropylene) cover: Very good resistance to strong bases, good resistance to acids. For use in liquids up to 90 °C. Reduced mechanical strength (IK8).
- White PVDF body with opaque white PVDF cover: For use on liquid baths at temperatures above 90 °C or strong oxidizing chemicals such as chrome electrolyte or nitric acid solution (HNO3). Reduced mechanical strength (IK8).

High limit manual reset thermostat, fail safe, with high corrosion resistance housing, specifically designed for surface treatment baths, and highly basic or acid corrosive liquids or environments.

(P2)

Rod protection options (see also table below)

- Stainless steel 316L-Ti without coating
- Stainless steel 316L, with FEP chemically deposited coating, thickness 0.2 to 0.4mm
- Stainless steel 316L, with PFA chemically deposited coating, thickness 0.2 to 0.4mm
- Stainless steel 316L, with PTFE chemically deposited coating, thickness 0.05 to 0.1mm
- Stainless steel 316L, with ETFE chemically deposited coating, thickness 0.2 to 0.4mm

Main references with SS 316L rod, coated with shrunk PTFE

Rod length (L, mm)	Black PA66 housing, crystal clear PC cover	Orange PP housing, crystal clear PC cover	Orange PP housing, orange opaque PP cover	White PVDF housing, white opaque PVDF cover
300	YF5GNCFRM***301P	YF5GPCFRM***301P	YF5GPPFRM***301P	YF5GVVFRM***301P
450	YF5GNCFRM***451P	YF5GPCFRM***451P	YF5GPPFRM***451P	YF5GVVFRM***451P
600	YF5GNCFRM***601P	YF5GPCFRM***601P	YF5GPPFRM***601P	YF5GVVFRM***601P
800	YF5GNCFRM***801P	YF5GPCFRM***801P	YF5GPPFRM***801P	YF5GVVFRM***801P
1000	YF5GNCFRM***A01P	YF5GPCFRM***A01P	YF5GPPFRM***A01P	YF5GVVFRM***A01P

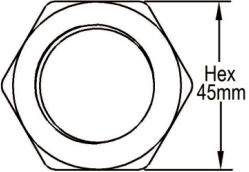
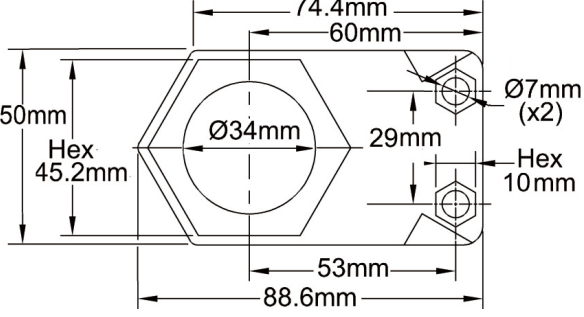
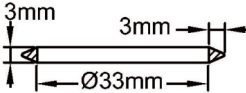
Reference modifications vs Rod protection coating

316L sans gainage	316L-Ti sans gainage	Titane	316L+ FEP 0.2 ~ 0.4mm*	316L+ PFA 0.2 ~ 0.4mm*	316L+ PTFE 0.05 ~ 0.1mm*	316L+ ETFE 0.2 ~ 0.4mm*
xxxxxxxxxxxxxxxxU	xxxxxxxxxxxxxxxxV	xxxxxxxxxxxxxxxxW	xxxxxxxxxxxxxxxxQ	xxxxxxxxxxxxxxxxR	xxxxxxxxxxxxxxxxS	xxxxxxxxxxxxxxxxT

* MOQ 100 pieces

Versions with °F printed knobs: replace S by T in the reference (7th character)

Accessories

1" BSPP Nut, 5mm thickness	Bracket for tank side mounting, thickness 10mm (Assembly made with 1" nut)	1" gasket for through wall waterproof mounting with 1" nut
		
Reference in PA66: 66YFHN1N	Reference in PA66: 66YFMB1N	Reference in FKM (Viton): 66YGA1F
Reference in PP: 66YFHN1P	Reference in PP: 66YFMB1P	
Reference in PVDF: 66YFHN1V	Reference in PVDF: 66YFMB1V	

Because of permanent improvement of our products, drawings, descriptions, features used on these data sheets are for guidance only and can be modified without prior advice

