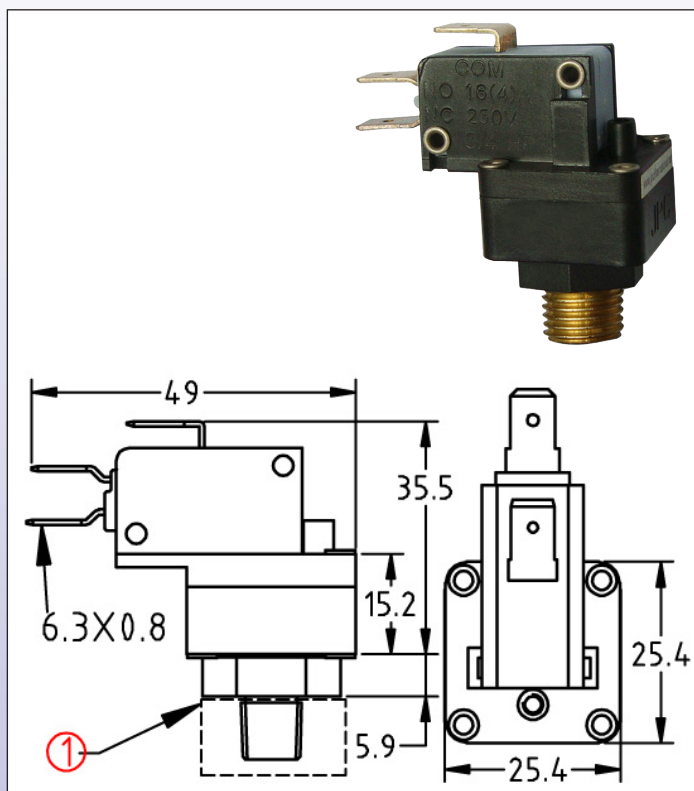


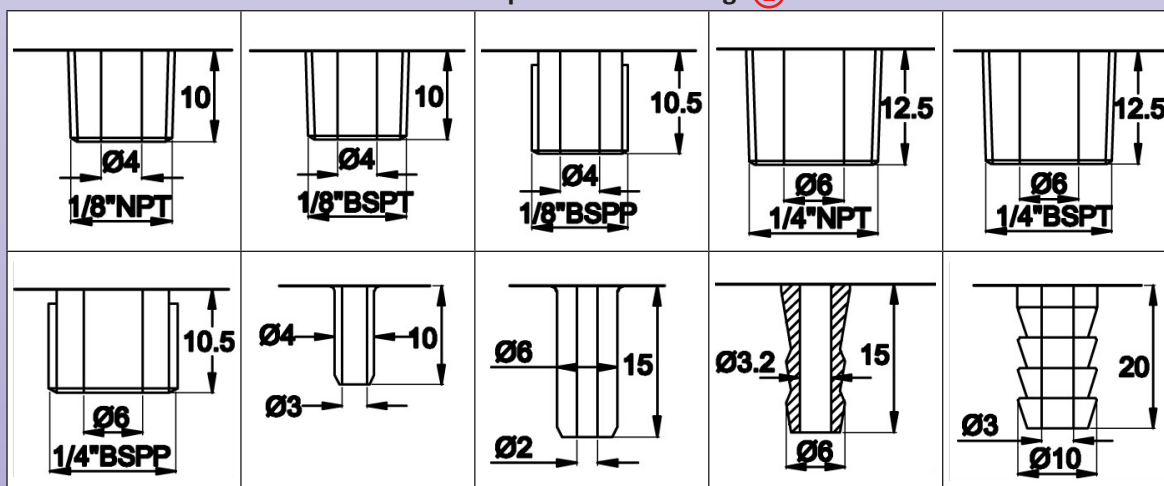
Snap action contact miniature pressure switch, metal fitting. SPDT contact : Type ZQ

DIMENSIONS



Uses: High electrical rating, for 250V.
Main applications: Pressure sensing on water heaters, boilers, and electrical appliances.
Membranes: EPDM, dia 22 mm. Silicone or NBR on request. Double membrane on request.
Fluid: water or air
Fitting: Brass (stainless steel on request)
Pressure: positive
Housing: PA66, UL94 VO
Contact: SPDT, snap action. NO or NC contacts available with MOQ
Electrical rating: Depends on micro-switch operating force that is linked to the electrical rating
 - Standard rating micro-switch (medium and high pressure calibration only): 16A 125/250VAC; 1/2HP 125VAC; 3/4HP 250VAC
 - High rating micro-switch (medium and high pressure calibration only): 2HP 240V, 21(8) A 240V (UL, CSA VDE switch)
 - Low force micro-switch (set points less than 150 mbar): 1/4HP 6(1) A 240V (UL, CSA VDE switch)
 - On request: up to 25A 250V
Action: momentary.
Set point calibration: factory calibrated and sealed, not field adjustable
Set point calibration limits: from 50 to 1500 mbar
Electrical connection: 6.35 x 0.8 mm quick connect terminals
Maximum pressure: 4 bars (58 PSI)
Ambient temperature limits: 0 to 85°C

Available pressure inlet fittings ①



References (with SPDT contact and brass fitting):

Pressure inlet	Standard rating micro- switch (Calibration : 800 mbar)	Low pressure micro-switch (Calibration 150 mbar)	High rating micro-switch (Calibration 800 mbar)
1/8" NPT	ZQ2K2RU1UH000000	ZQ272RU50A500000	ZQ2K2RU6UH000000
1/8" BSPT	ZQ2K2PU1UH000000	ZQ272PU50A500000	ZQ2K2PU6UH000000
1/8" BSPP	ZQ2K2LU1UH000000	ZQ272LU50A500000	ZQ2K2LU6UH000000
1/4" NPT	ZQ2K2CU1UH000000	ZQ272CU50A500000	ZQ2K2CU6UH000000
1/4" BSPT	ZQ2K2SU1UH000000	ZQ272SU50A500000	ZQ2K2SU6UH000000
1/4" BSPP	ZQ2K22U1UH000000	ZQ272U50A500000	ZQ2K22U6UH000000
Smooth spout dia 4 mm	ZQ2K23U1UH000000	ZQ2723U50A500000	ZQ2K23U6UH000000
Spout dia 6 mm	ZQ2K27U1UH000000	ZQ2727U50A500000	ZQ2K27U6UH000000
Fluted spout dia 6 mm	ZQ2K2JU1UH000000	ZQ272JU50A500000	ZQ2K2JU6UH000000
Barbed spout dia 10 mm	ZQ2K29U1UH000000	ZQ2729U50A500000	ZQ2K29U6UH000000
	Other set point values: replace H00 in the product reference by therequested value in mbar	Other set point values: replace A50 in the product reference by the requested value in mbar	Other set point values: replace H00 in the product reference by the requested value in mbar

