

48 x 48, Intelligent PID Temperature Controller, double display, multisensor, power relay and SSR (solid state relay) outputs

Type: 244



Reduced size: very small foot print allows it to replace any electromechanical thermostat.

Simple installation interface: auto-tune PID control, relay output and SSR output are standardized.

Simple storage and maintenance: one model covers all applications.

Output percentage indication: with graphic LED bar.

Input: Pt 100 and Thermocouples T, R, J, B, S, K, E, Wu3-Re25.

Output: relay output or voltage pulse.(field selectable)

Alarm: 1 alarm relay in standard. Second is an option.

Operation: auto-tune function sets automatically the PID parameters to the system characteristics.

Power supply voltage: AC 85~265V 50-60Hz (24VDC in option)

Power: <6W.

Output Specifications:

- Main Control Output: 1 relay, heating or cooling selectable,
- Contact Rating (SPST): 3A, 250Vac Res.
- Alarm output: 3A, 250Vac Res.
- SSR drive: 12V DC (20mA).

Communication: interface RS-485 in option.

Accuracy: 0.3%FS.

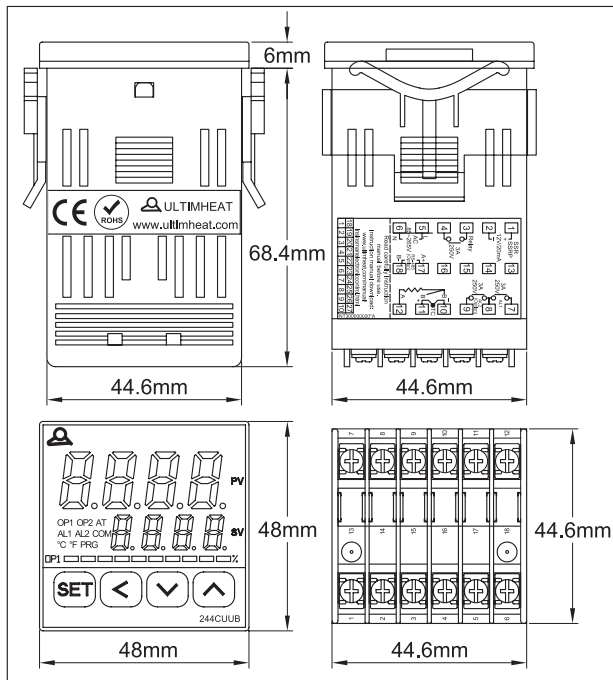
Dimensions: 48 x 48 x 74.4mm.

Panel cut-out: 45 x 45 mm.

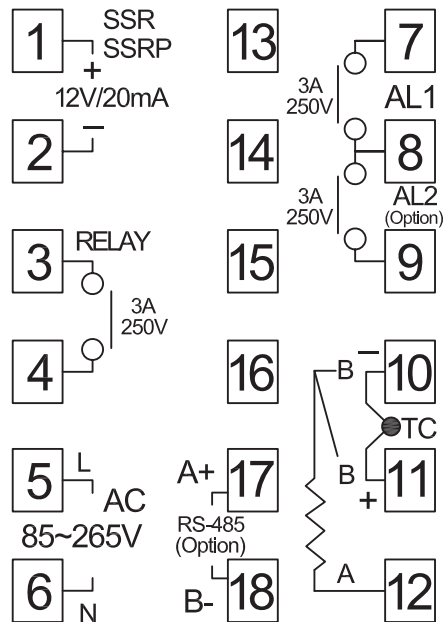
Ambient Temperature: 0 to 50°C, 0 to 95% RH.

Reference	244CUUB
-----------	---------

Dimensions



Wiring diagram



Update 2018-02-06. Replaces previous page.