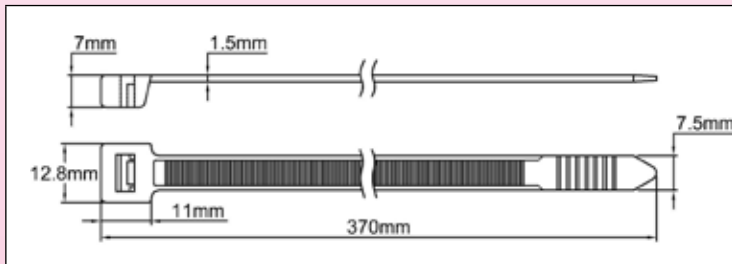
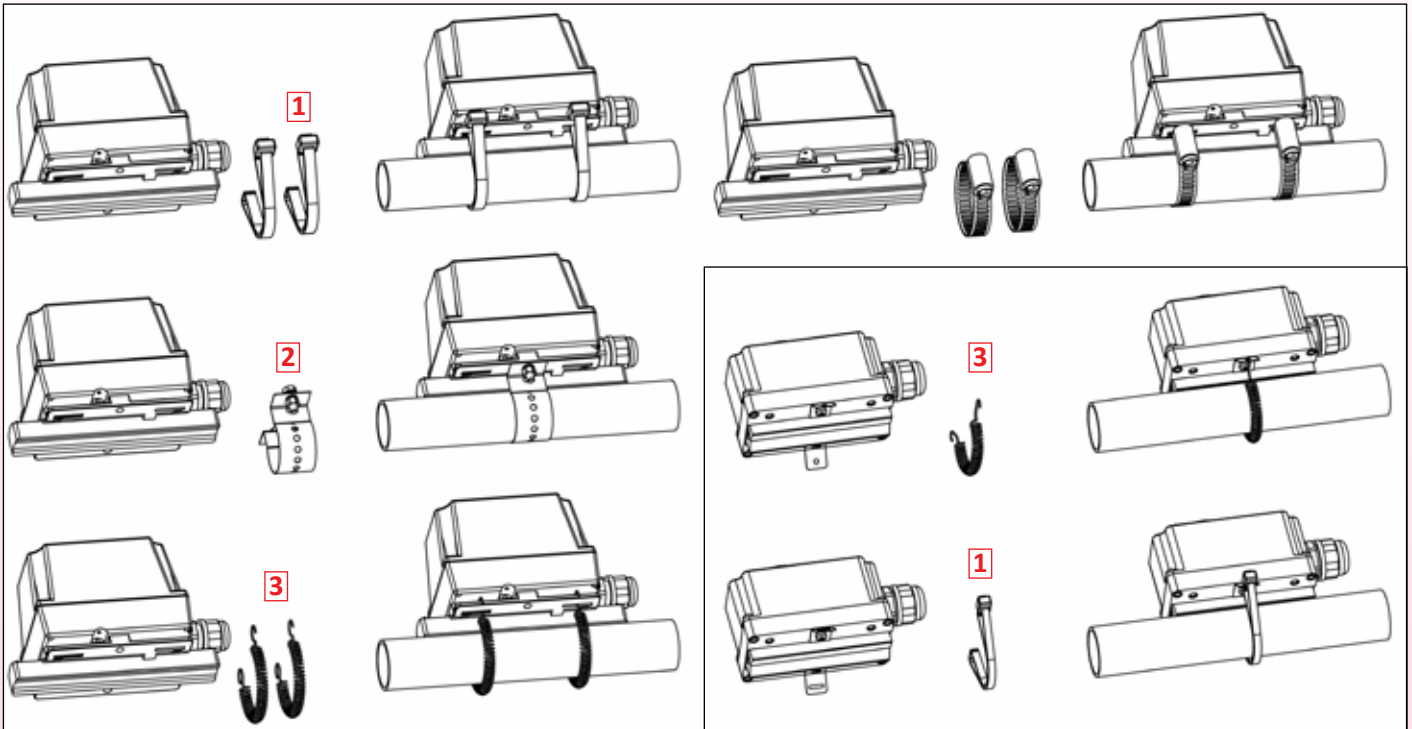



Pockets, flanges, brackets and other accessories

Pipe temperature measurement

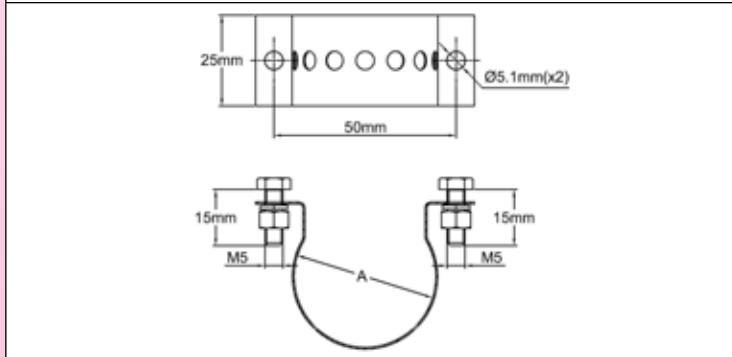


1




PA66 Cable tie for pipe mounting thermostats (for Y1 types). Max 80°C

Reference	66TY002
-----------	---------

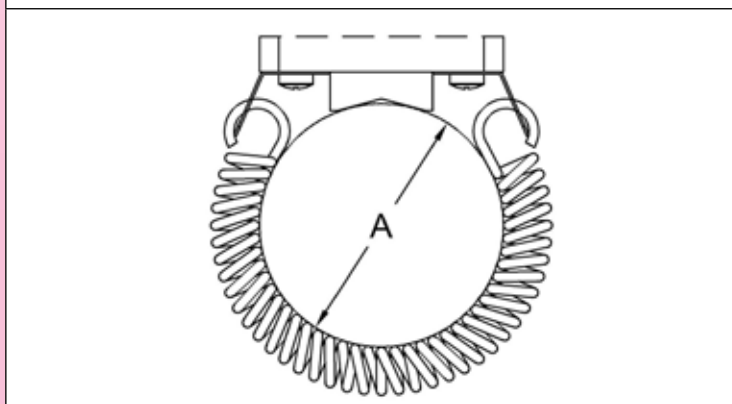


2




Stainless steel band for pipe mounting thermostats (for Y1 types)

Reference	66TY001
-----------	---------



3



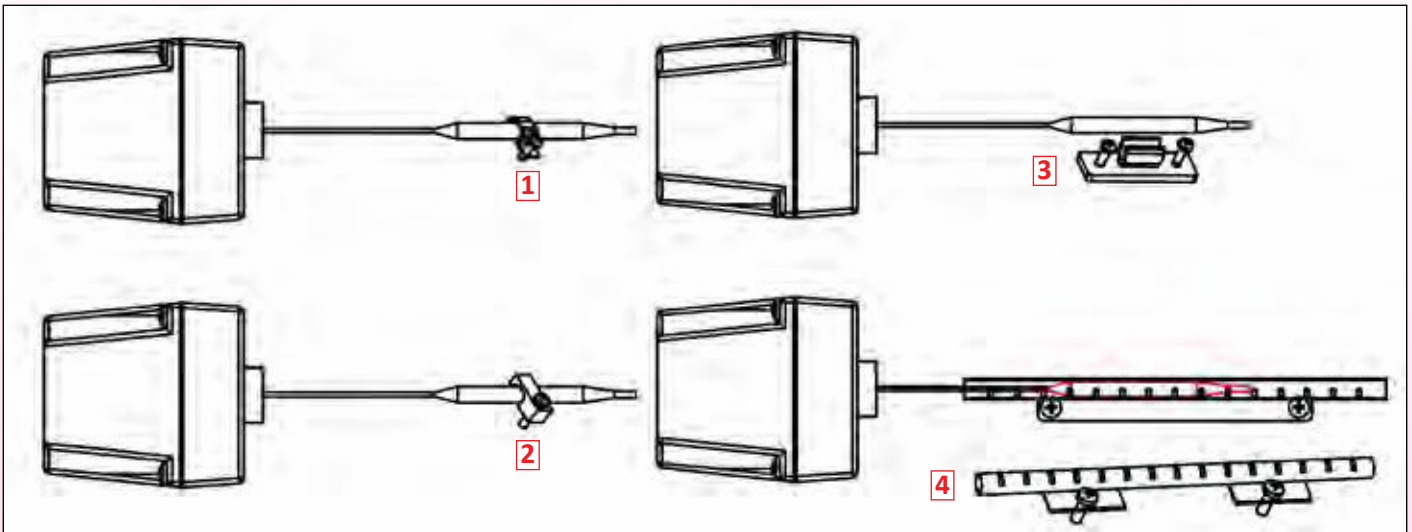
Spring for pipe mounting thermostat (for Y1 and Y2 types)






Reference	66TY003
-----------	---------

En raison de l'évolution technique constante de nos produits, les plans, dessins, photos et caractéristiques repris dans les pages techniques sont communiqués sans engagement et peuvent être modifiés sans préavis



Bulb and Capillary surface mounting accessories



	<p>1</p>  <p>Bulb mounting clips Stamped steel, for bulbs dia. 5 and 6mm</p> <p>Reference 66PA045000020</p>		<p>3</p>  <p>Bulb mounting clips PA66 Plastic, 2 screw mounting or adhesive, for bulbs dia. 5 and 6mm, maximum temperature 80°C</p> <p>Reference 9BBFPM134211900</p>
	<p>2</p>  <p>Bulb mounting clips Reinforced PC-ABS, screw mounting, for bulbs dia. 5 and 6mm, maximum temperature 90°C</p> <p>Reference 9BBAE10000AFS07A</p>		<p>3</p>  <p>Bulb mounting clips, PA66 Plastic, 2 screw mounting or adhesive, for bulbs dia. 8mm., maximum temperature 80°C</p> <p>Reference 9BBFPM124211900</p>
			<p>4</p>  <p>Bulb protective mounting bracket, stainless steel, 2 screw mounting, for bulbs dia. 5 and 6mm</p> <p>Reference 66DU</p>