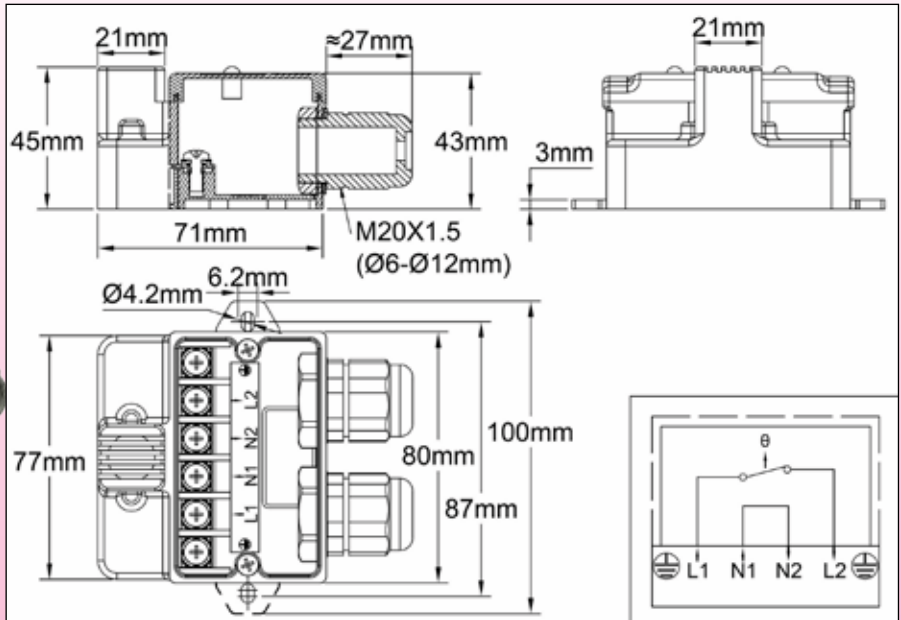


## Thermostats with IP65 plastic housings, Type Y2

### Fixed setting ambience or antifreeze thermostat, IP65, cable gland output, without pilot lights, Type Y20



In these boxes, the thermostat, bimetal disc type, is over-molded, and is thermally insulated from the wall on which it is mounted. Its temperature sensing cup is mechanically protected by a grid. It is located in front of the enclosure to be in an area of natural circulation of air.

**Mounting:** Wall, by external side brackets. These tabs can be folded inwards. There also is the opportunity to practice two mounting holes inside for wall mounting (Note: in this case the ingress protection class IP65 on the rear wall is lost)

**Protection:** IP65 (IK 03 On thermostat guard, IK10 the rest of the housing)

**Material:** ABS-PC black glass-fiber reinforced

**Screws:** Stainless steel, captive

**Output:** 2 Cable glands M20, PA66, IP66, for cable from 6 to 12 mm dia.

**Electrical rating:** Single pole, 8 to 16A 250V (100000 cycles). Contact style can be open on rise or close on rise.

**Identification:** The cover can be fitted with a 20x40mm riveted stainless steel identification plate (standard) or with a sticker (Option)

**Customization:** On request (MOQ apply)

**Connection:** Built in 4mm<sup>2</sup> screw terminal block

**Options:**

- Other calibration temperatures
- Cream color housing
- Incorporation of a temperature sensor (thermocouple, Pt100 or Pt1000, thermistor)

Calibration temperature °C (°F)	Close temperature °C (°F)	Electrical rating	Main uses	References
8°C (46,4)	3°C (37,4)	8A250V	Ice detaction, starts an antifreeze or heating system	Y20D7Z00805HCSV0
10°C (50)	4°C (39,2)	10A250V	Ice detaction, starts an antifreeze or heating system	Y20D7P01006CUSV0
10°C (50)	4°C (39,2)	16A250V	Ice detaction, starts an antifreeze or heating system	Y20D7J01006CUSV0
30°C (86)	20°C (68)	10A250V	Over-heating detection in residential premises, heating stop	Y20D7P03010CUSV0
20°C (68)	30°C (86)	10A250V	Over-heating detection in residential premises, alarm (NO contact)	Y20D7Q03010CUSV0
70°C (158)	60°C (140)	10A250V	Fire detaction (withstand sprinklers water sprays)	Y20D7P07010CUSV0

Because of permanent improvement of our products, drawings, descriptions, features used on these data sheets are for guidance only and can be modified without prior advice