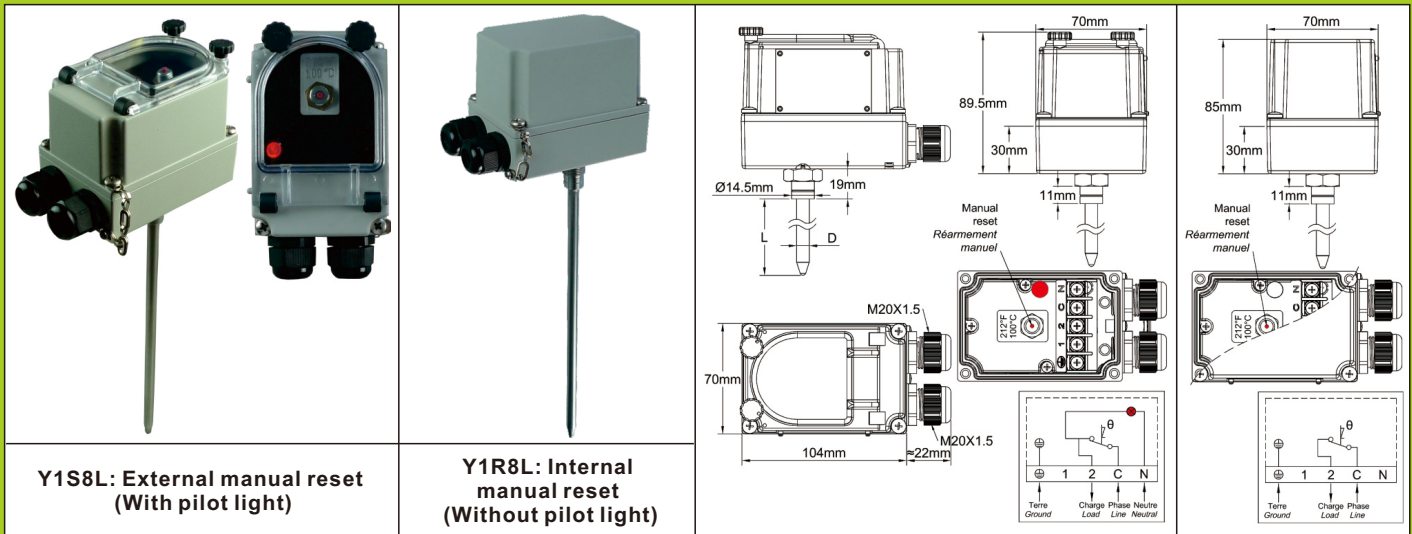


Fixed setting manual reset limiter, rod

Enclosure	Type	Operation	Contact	Measurement	Ranges °C	Models
IP65,IK10	Manual reset	Mechanical	SPNC	Rod		Y1S8L & Y1R8L
Material						
Aluminum						



Y1S8L: External manual reset (With pilot light)

Y1R8L: Internal manual reset (Without pilot light)

Applications

These **liquid expansion** rod manual reset limiters can be installed inside pockets as immersion thermostats in pipelines and containers, and as **high limit safety** in air ducts, in usual industrial applications and environments. (Not suitable for hazardous areas).

-Internal reset is convenient for products that must not be frequently reset.

-Insensibility to strong vibrations

-**Sealed calibration point, not adjustable**

Housing: Aluminum, IP65, IK10. Grey RAL7032 epoxy painting. Stainless steel captive cover screws. Captive aluminum lid

Action: **Fail safe** manual reset high temperature limit.

Set point calibration value: 80±8°C (176±15°F), 90±8°C (194±15°F), 110±8°C (230±15°F), 130±8°C (266±15°F), 150±8°C (302±15°F), 175±8°C (347±15°F), 220±11°C (428±20°F), 270±13°C (518±23°F), 300±15°C (572±27°F). Other calibration temperature on request, between 30°C and 320°C (85°F and 610°F)

Temperature adjustment: Fixed setting, sealed, no access to user.

Sensing element: Liquid expansion bulb and capillary. The capillary is protected by a stainless steel corrugated pipe terminated by a silicone tip. A plastic cap plug provided as standard accessory allows locking the flexible metal conduit inside a pocket. (See pockets in the accessories section)

Sensing element: Liquid expansion rod. This rod has a non-temperature sensing zone named dead zone which allows thermal insulation crossing. An increased diameter under the thermostat head allows mounting pockets, coolers or brackets (See pockets in the accessories section).

Electrical connections: Inside, on screw terminal connection block. Possibility to connect two wires 1.5mm² on each terminal.

Pilot light: Allows to visualize limiter contact output position. Standard for all models with transparent window. Non-standard and on special request only for models with plain aluminum cover. (230V, 2 phase power supply, is mandatory for the pilot light)

Cable input and output: Two M20 cable glands, Black PA66.

Earthing: Internal and external screw terminal.

Cable output: M16 cable gland, PA66, for cables up to 10 mm dia.

Identification: Metallic identification label, riveted. Set point calibration is printed in °C and °F beside the manual reset button.

Contact: Single pole, open on temperature rise (SPNC)

Electrical rating: 16A res. 250/400VAC

-Electrical life > **6.000 cycles**.

Minimum storage temperature: -35°C (-30°F)

Maximum ambient temperature: 60°C (140°F)

For more technical information see 8L limiter technical data sheet (catalog 1).

Fixed setting manual reset limiter, rod

(P2)

Main references

Calibration temperature °C (°F)	References with external adjustment	References with internal adjustment	Minimum resettable temperature °C (°F)	Rod length *(L, mm)	Rod diameter (D, mm)	Temperature sensing length (mm)	Max temperature on bulb °C (°F)
80±8°C (176±15°F)	Y1S8L0080105117D	Y1R8L0080105117D	52°C (126°F)	170	10	87	105°C (221°F)
80±8°C (176±15°F)	Y1S8L0080105123D	Y1R8L0080105123D	52°C (126°F)	230	10	87	105°C (221°F)
80±8°C (176±15°F)	Y1S8L0080105130D	Y1R8L0080105130D	52°C (126°F)	300	10	87	105°C (221°F)
80±8°C (176±15°F)	Y1S8L0080105145D	Y1R8L0080105145D	52°C (126°F)	450	10	87	105°C (221°F)
80±8°C (176±15°F)	Y1S8L0080105160D	Y1R8L0080105160D	52°C (126°F)	600	10	87	105°C (221°F)
80±8°C (176±15°F)	Y1S8L0080105180D	Y1R8L0080105180D	52°C (126°F)	800	10	87	105°C (221°F)
90±8°C (194±15°F)	Y1S8L0090115117D	Y1R8L0090115117D	60°C (140°F)	170	10	87	115°C (239°F)
90±8°C (194±15°F)	Y1S8L0090115123D	Y1R8L0090115123D	60°C (140°F)	230	10	87	115°C (239°F)
90±8°C (194±15°F)	Y1S8L0090115130D	Y1R8L0090115130D	60°C (140°F)	300	10	87	115°C (239°F)
90±8°C (194±15°F)	Y1S8L0090115145D	Y1R8L0090115145D	60°C (140°F)	450	10	87	115°C (239°F)
90±8°C (194±15°F)	Y1S8L0090115160D	Y1R8L0090115160D	60°C (140°F)	600	10	87	115°C (239°F)
90±8°C (194±15°F)	Y1S8L0090115180D	Y1R8L0090115180D	60°C (140°F)	800	10	87	115°C (239°F)
110±8°C (230±15°F)	Y1S8L0110135117D	Y1R8L0110135117D	75°C (167°F)	170	10	87	135°C (275°F)
110±8°C (230±15°F)	Y1S8L0110135123D	Y1R8L0110135123D	75°C (167°F)	230	10	87	135°C (275°F)
110±8°C (230±15°F)	Y1S8L0110135130D	Y1R8L0110135130D	75°C (167°F)	300	10	87	135°C (275°F)
110±8°C (230±15°F)	Y1S8L0110135145D	Y1R8L0110135145D	75°C (167°F)	450	10	87	135°C (275°F)
110±8°C (230±15°F)	Y1S8L0110135160D	Y1R8L0110135160D	75°C (167°F)	600	10	87	135°C (275°F)
110±8°C (230±15°F)	Y1S8L0110135180D	Y1R8L0110135180D	75°C (167°F)	800	10	87	135°C (275°F)
130±8°C (266±15°F)	Y1S8L0130155117D	Y1R8L0130155117D	80°C (176°F)	170	10	87	155°C (311°F)
130±8°C (266±15°F)	Y1S8L0130155123D	Y1R8L0130155123D	80°C (176°F)	230	10	87	155°C (311°F)
130±8°C (266±15°F)	Y1S8L0130155130D	Y1R8L0130155130D	80°C (176°F)	300	10	87	155°C (311°F)
130±8°C (266±15°F)	Y1S8L0130155145D	Y1R8L0130155145D	80°C (176°F)	450	10	87	155°C (311°F)
130±8°C (266±15°F)	Y1S8L0130155160D	Y1R8L0130155160D	80°C (176°F)	600	10	87	155°C (311°F)
130±8°C (266±15°F)	Y1S8L0130155180D	Y1R8L0130155180D	80°C (176°F)	800	10	87	155°C (311°F)
150±8°C (302±15°F)	Y1S8L0150175123D	Y1R8L0150175123D	95°C (203°F)	230	10	87	175°C (347°F)
150±8°C (302±15°F)	Y1S8L0150175130D	Y1R8L0150175130D	95°C (203°F)	300	10	87	175°C (347°F)
150±8°C (302±15°F)	Y1S8L0150175145D	Y1R8L0150175145D	95°C (203°F)	450	10	87	175°C (347°F)
150±8°C (302±15°F)	Y1S8L0150175160D	Y1R8L0150175160D	95°C (203°F)	600	10	87	175°C (347°F)
150±8°C (302±15°F)	Y1S8L0150175180D	Y1R8L0150175180D	95°C (203°F)	800	10	87	175°C (347°F)
175±8°C (347±15°F)	Y1S8L0175200123D	Y1R8L0175200123D	115°C (239°F)	230	10	59	200°C (392°F)
175±8°C (347±15°F)	Y1S8L0175200130D	Y1R8L0175200130D	115°C (239°F)	300	10	59	200°C (392°F)
175±8°C (347±15°F)	Y1S8L0175200145D	Y1R8L0175200145D	115°C (239°F)	450	10	59	200°C (392°F)
175±8°C (347±15°F)	Y1S8L0175200160D	Y1R8L0175200160D	115°C (239°F)	600	10	59	200°C (392°F)
175±8°C (347±15°F)	Y1S8L0175200180D	Y1R8L0175200180D	115°C (239°F)	800	10	59	200°C (392°F)
*220±11°C (428±20°F)	Y1S8L0220245830D	Y1R8L0220245830D	140°C (284°F)	300	8	59	245°C (473°F)
*220±11°C (428±20°F)	Y1S8L0220245845D	Y1R8L0220245845D	140°C (284°F)	450	8	59	245°C (473°F)
*220±11°C (428±20°F)	Y1S8L0220245860D	Y1R8L0220245860D	140°C (284°F)	600	8	59	245°C (473°F)
*220±11°C (428±20°F)	Y1S8L0220245880D	Y1R8L0220245880D	140°C (284°F)	800	8	59	245°C (473°F)
*270±13°C (518±23°F)	Y1S8L0270295830D	Y1R8L0270295830D	160°C (320°F)	300	8	165	295°C (563°F)
*270±13°C (518±23°F)	Y1S8L0270295845D	Y1R8L0270295845D	160°C (320°F)	450	8	165	295°C (563°F)
*270±13°C (518±23°F)	Y1S8L0270295860D	Y1R8L0270295860D	160°C (320°F)	600	8	165	295°C (563°F)
*270±13°C (518±23°F)	Y1S8L0270295880D	Y1R8L0270295880D	160°C (320°F)	800	8	165	295°C (563°F)
*300±15°C (572±27°F)	Y1S8L0300325830D	Y1R8L0300325830D	160°C (320°F)	300	8	165	325°C (617°F)
*300±15°C (572±27°F)	Y1S8L0300325845D	Y1R8L0300325845D	160°C (320°F)	450	8	165	325°C (617°F)
*300±15°C (572±27°F)	Y1S8L0300325860D	Y1R8L0300325860D	160°C (320°F)	600	8	165	325°C (617°F)
*300±15°C (572±27°F)	Y1S8L0300325880D	Y1R8L0300325880D	160°C (320°F)	800	8	165	325°C (617°F)

*Above 200°C we recommend to use a rod cooler reference 66RF07015 or 66RF0701F12 between the rod and the enclosure (see accessories). Caution: This cooler reduces the usable rod length by 70mm.