

77 x 35mm intelligent temperature controller, On/Off action

Type: 273

Mini-sized and integrated intelligent controller, with very simple end-user interface: Change of set point is made without password, with up and down keys.

Input:

Input NTC : value R@25°C:10KO (±1%), B@25/50°C: 3380KQ (±1%)

Pt100 and thermocouple K Inputs: standard curves

Outputs: Relay with 16A or 10A resistive contact depending on models.

Alarm: 5A alarm relay on thermocouple K models

Display: Single display °C (°C or °F for the -45 +120° model)

Power supply: AC 220-230V 50-60Hz

Accuracy: ±1°C (±2°F) or 0.3%FE± one digit

Self testing: Over-scale, under-scale, and open circuit sensor display.

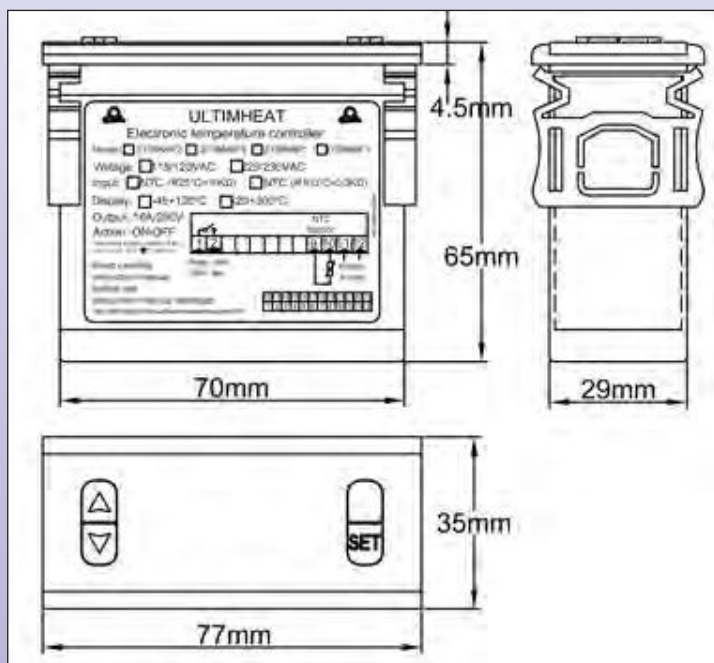
Dimensions: 77 x 35 X 60mm. Panel cut-out 71x29mm
Ambient temperature: -10 to 60°C, 20 to 85% relative humidity, non condensing.

Temperature display range: - 45 to +120°C (41 to 248°F)

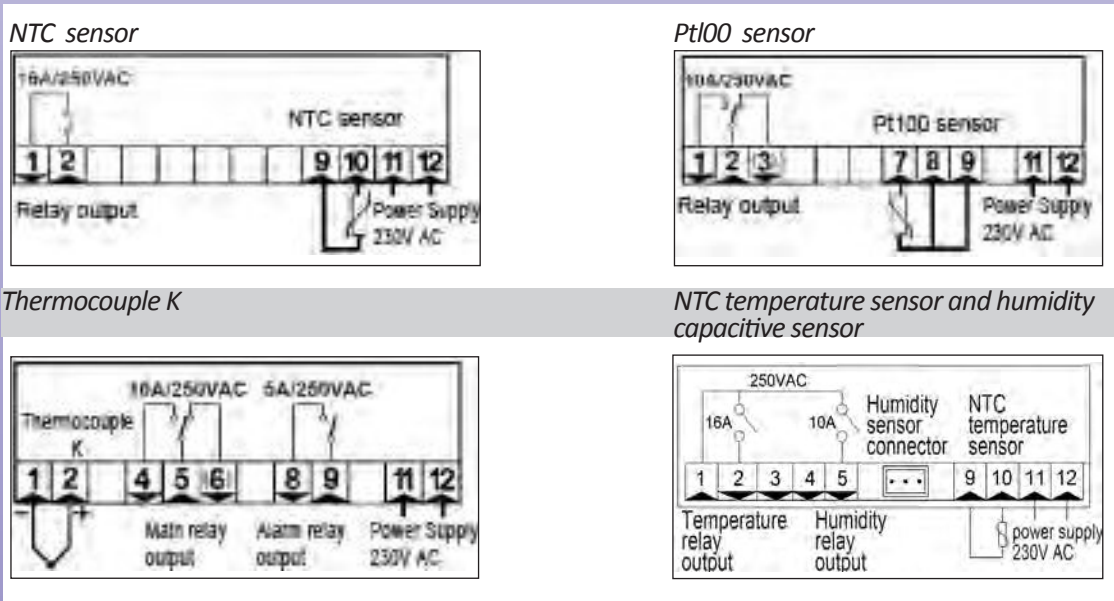
Resolution: 1° (0.1° within the -19.9° à 99.9° range for the model -45+120°C)

References (230V types)	Temperature range	Sensor	Main relay output
273BN6F2	-45+120°C	NTC	16A
273BP0F2	-150+550°C	Pt100	10A
273BK1F2	0-999°C	K	10A
273DJ2F2*	-45+120°C and 0-100% relative humidity	NTC and Capacitive sensor	10A

*For more choices within the humidity controls, please see the specialized catalogue "Humidity controls".



Connection :



Because of permanent improvement of our products, drawings, descriptions, features used on these data sheets are for guidance only and can be modified without prior advice

