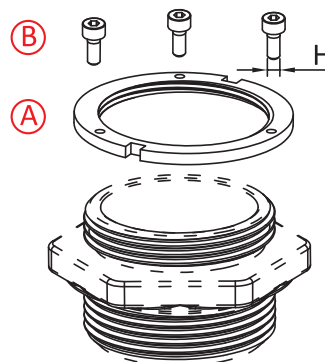
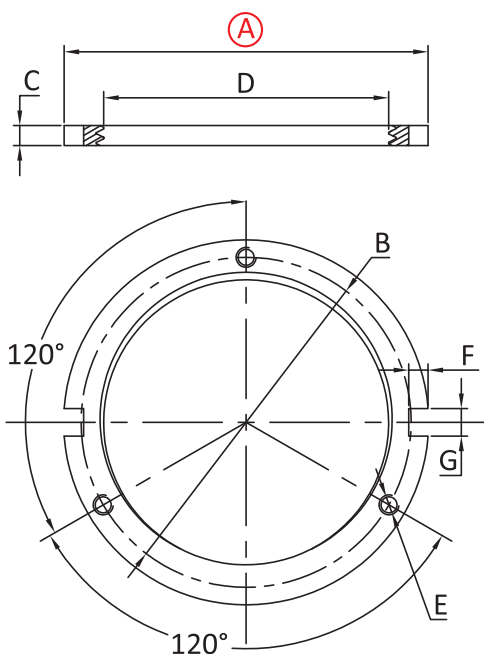


# Threaded internal rotation rings, tightening by 3 screws

Minimum Size	Maximum Size	Material	Type	Model
1"	M77 × 2	Nickel plated screws	Threaded internal rotation rings	<b>66XN</b>

### Compatible with:

<input checked="" type="checkbox"/> Y303	<input checked="" type="checkbox"/> Y3S3
<input checked="" type="checkbox"/> Y304	<input checked="" type="checkbox"/> Y3S5
<input checked="" type="checkbox"/> Y305	<input checked="" type="checkbox"/> Y3S7
<input checked="" type="checkbox"/> Y306	<input checked="" type="checkbox"/> Y3SA
<input checked="" type="checkbox"/> Y307	<input checked="" type="checkbox"/> Y3P1
<input checked="" type="checkbox"/> Y3C4	<input checked="" type="checkbox"/> Y3P3
<input checked="" type="checkbox"/> Y3L1	<input checked="" type="checkbox"/> Y3P4
<input checked="" type="checkbox"/> Y3L3	<input checked="" type="checkbox"/> Y3P5
<input checked="" type="checkbox"/> Y3M1	<input checked="" type="checkbox"/> Y3P6



	1"	1-1/4"	1-1/2"	M45x2	2"	2-1/2"	M77x2
A	Ø47.5	Ø56	Ø62	Ø59	Ø74	Ø92	Ø94
B	Ø40.5	Ø49	Ø55	Ø52	Ø67	Ø84	Ø86
C	4	4	4	4	4	4	4
D	1"	1-1/4"	1-1/2"	M45x2	2"	2-1/2"	M77x2
E	M4(x3)	M4(x3)	M4(x3)	M4(x3)	M4(x3)	M5(x3)	M5(x3)
F	4	4	4	4	4	4	4
G	5.5	5.5	5.5	5.5	5.5	5.5	5.5
H	M4x8	M4x8	M4x8	M4x8	M4x8	M5x8	M5x8

### Main references

Dimension	Reference (A)	Reference (A+B)
1"	66XN000A40T10000	66XN000A40T10200
1-1/4"	66XN000A40T14000	66XN000A40T14200
1-1/2"	66XN000A40T12000	66XN000A40T12200
M45x2	66XN000A40T45000	66XN000A40T45200
2"	66XN000A40T20000	66XN000A40T20200
2-1/2"	66XN000A40T21000	66XN000A40T21200
M77x2	66XN000A40T77000	66XN000A40T77200

### Links



Page  
(.pdf)



Drawing 2D  
(.dwg)



Drawing 3D  
(.stp)

Red dimensions inside rectangular frames on drawings are used for assembly on enclosures or on fittings.



E-Mail: [info@ultimheat.com](mailto:info@ultimheat.com) Web: [www.ultimheat.com](http://www.ultimheat.com)