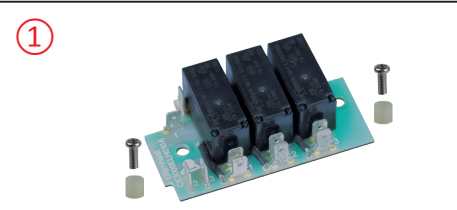
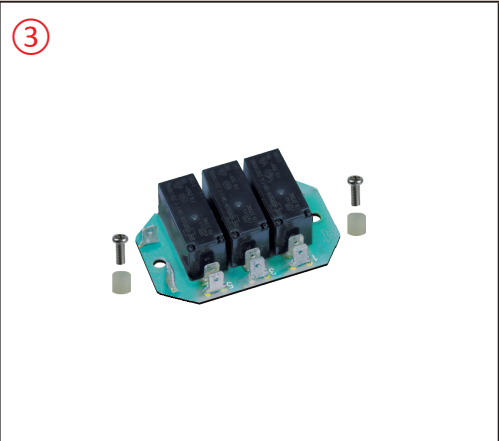
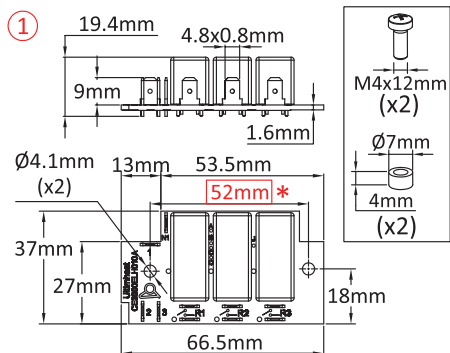
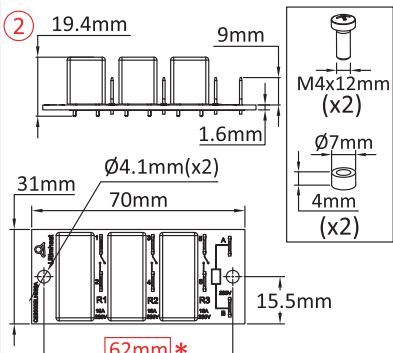
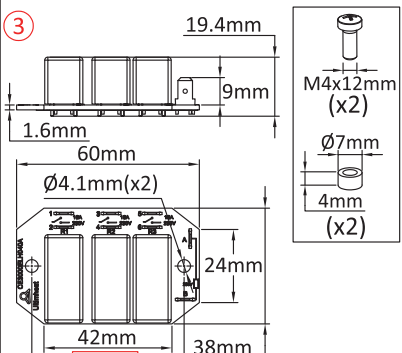
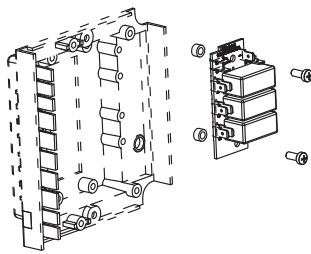
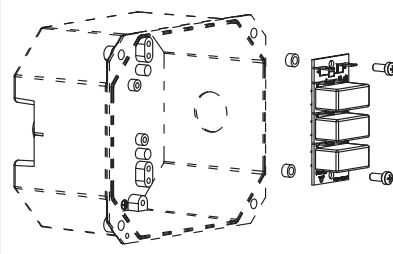
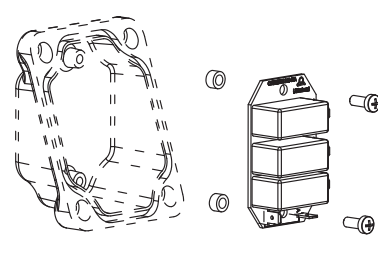


Relay boards, with 2 to 3 miniature relays, rating 16A 250V, coil 220/240V. One of their application is to convert single pole devices into 3 poles




Minimum Size	Maximum Size	Material	Type	Model
38 × 60 × 19.4mm	31 × 70 × 19.4mm	PCB	Relay boards	6YRC

① Model 1 compatible with: <input checked="" type="checkbox"/> Y3N2 <input checked="" type="checkbox"/> Y310 <input checked="" type="checkbox"/> Y3N3 <input checked="" type="checkbox"/> Y3G2 <input checked="" type="checkbox"/> Y3N4 <input checked="" type="checkbox"/> Y3J2 <input checked="" type="checkbox"/> Y309		
② Model 2 compatible with: <input checked="" type="checkbox"/> Y3P6		
③ Model 3 compatible with: <input checked="" type="checkbox"/> Y303 <input checked="" type="checkbox"/> Y305 <input checked="" type="checkbox"/> Y304 <input checked="" type="checkbox"/> Y3P5		

① 	② 	③ 
		

Main references

Links

Model	Quantity of relays	Independent relays	Coupled relays	
①	2	6YRCD230216SF000	6YRCD230216PF000	 Page (.pdf)
①	3	6YRCD230316SF000	6YRCD230316PF000	
②	2	6YRCB230216NF000	6YRCB230216PF000	 Drawing 2D (.dwg)
②	3	6YRCB230316NF000	6YRCB230316PF000	
③	2	6YRCE230216NF000	6YRCE230216PF000	 Drawing 3D (.stp)
③	3	6YRCE230316NF000	6YRCE230316PF000	

The relay coil is 230V 50 Hz. 24V on request. Maximum load 16A resistive, 100000 cycles. Maximum potential difference between contacts: 250V AC

Red dimensions inside rectangular frames on drawings are used for assembly on enclosures or on fittings.

