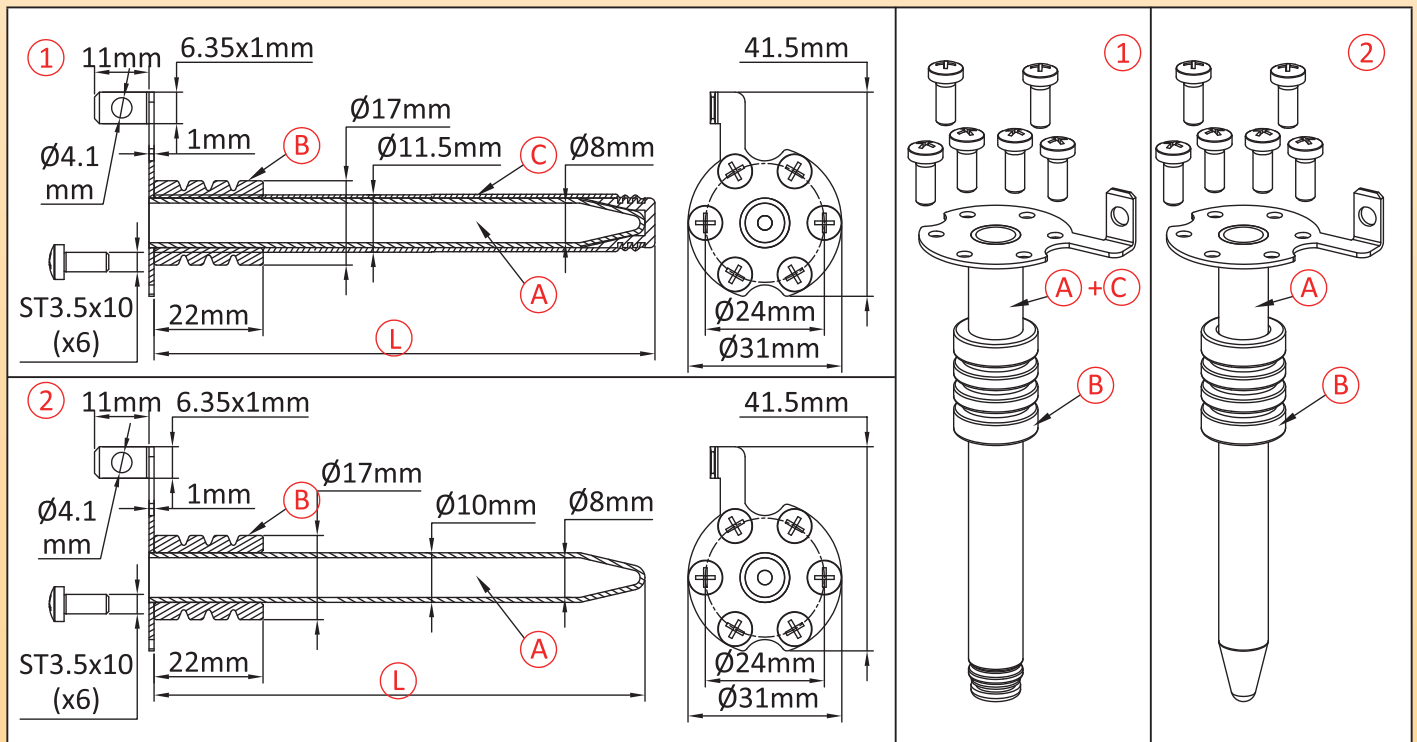


10mm diameter pockets for temperature sensors, thermostats or level detectors, without thread, for corrosive baths

Minimum Size	Maximum Size	Material	Type	Model
Dia. 10 × 110mm	Dia. 10 × 1000mm	316 stainless steel 316 with PTFE sleeving Titanium	Pocket with compression type gasket	66TTW3 66TNW3

Compatible with:

- Y3C8
- Y3E8
- Designed to receive thermostats bulbs or temperature sensors.



Main references

Model ② without sleeving			Model ① with sleeving		
(A)	(B)	(L)	References	(C)	References
316L	Silicone	230mm	66TTW300230A100S	PTFE	66TTW300230A1B0S
316L	Silicone	300mm	66TTW300300A100S	PTFE	66TTW300300A1B0S
316L	Silicone	450mm	66TTW300450A100S	PTFE	66TTW300450A1B0S
316L	Silicone	600mm	66TTW300600A100S	PTFE	66TTW300600A1B0S
316L	FKM(Viton)	230mm	66TNW300230A100K	PTFE	66TNW300230A1B0K
316L	FKM(Viton)	300mm	66TNW300300A100K	PTFE	66TNW300300A1B0K
316L	FKM(Viton)	450mm	66TNW300450A100K	PTFE	66TNW300450A1B0K
316L	FKM(Viton)	600mm	66TNW300600A100K	PTFE	66TNW300600A1B0K

Links

Page
(.pdf)

Drawing 2D
(.dwg)

Drawing 3D
(.stp)

Because of permanent improvement of our products, drawings, descriptions, features used on these data sheets are for guidance only and can be modified without prior advice.

L length can be made on request. Gasket B can be made in NBR. Diameters smaller than 10mm available on request.
Red dimensions inside rectangular frames on drawings are used for assembly on enclosures or on fittings.

