

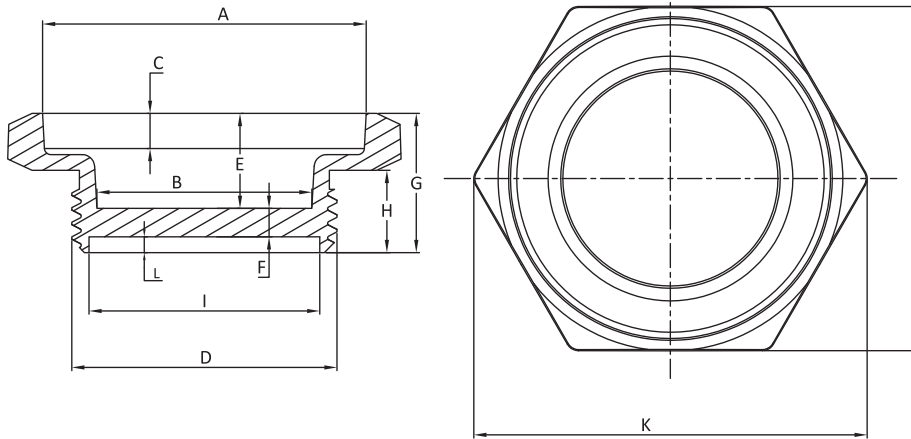
Lightened brass fittings, single thread

Minimum Size	Maximum Size	Material	Type	Model
1 1/4"	M45x2	Brass	Single thread	66RG

Compatible accessories
<input checked="" type="checkbox"/> 66JP
<input checked="" type="checkbox"/> 66JF
<input checked="" type="checkbox"/> 66NL
Compatible enclosures
<input checked="" type="checkbox"/> Y3L4
<input checked="" type="checkbox"/> Y3S4






	1-1/4"	1-1/2"	M45x2
A	Ø50.5	Ø55	Ø55
B	Ø34	Ø40	Ø40
C	5.5	5.5	5.5
D	1-1/4"	1-1/2"	M45x2
E	15	15	15
F	4.5	4.5	4.5
G	22	22	22
H	13	13	13
I	Ø36.5	Ø36.5	Ø36.5
J	Hex 54	Hex 58	Hex 58
K	61	65.5	65.5
L	2.5	2.5	2.5



Main references

Dimension	References	Dimension	References
1-1/4"	66RGA2T0000000000	M45x2	66RGMDT0000000000
1-1/2"	66RGA3T0000000000		

Links

	Page (.pdf)
	Drawing 2D (.dwg)
	Drawing 3D (.stp)

Red dimensions inside rectangular frames are used for assembly on enclosures or on fittings.

