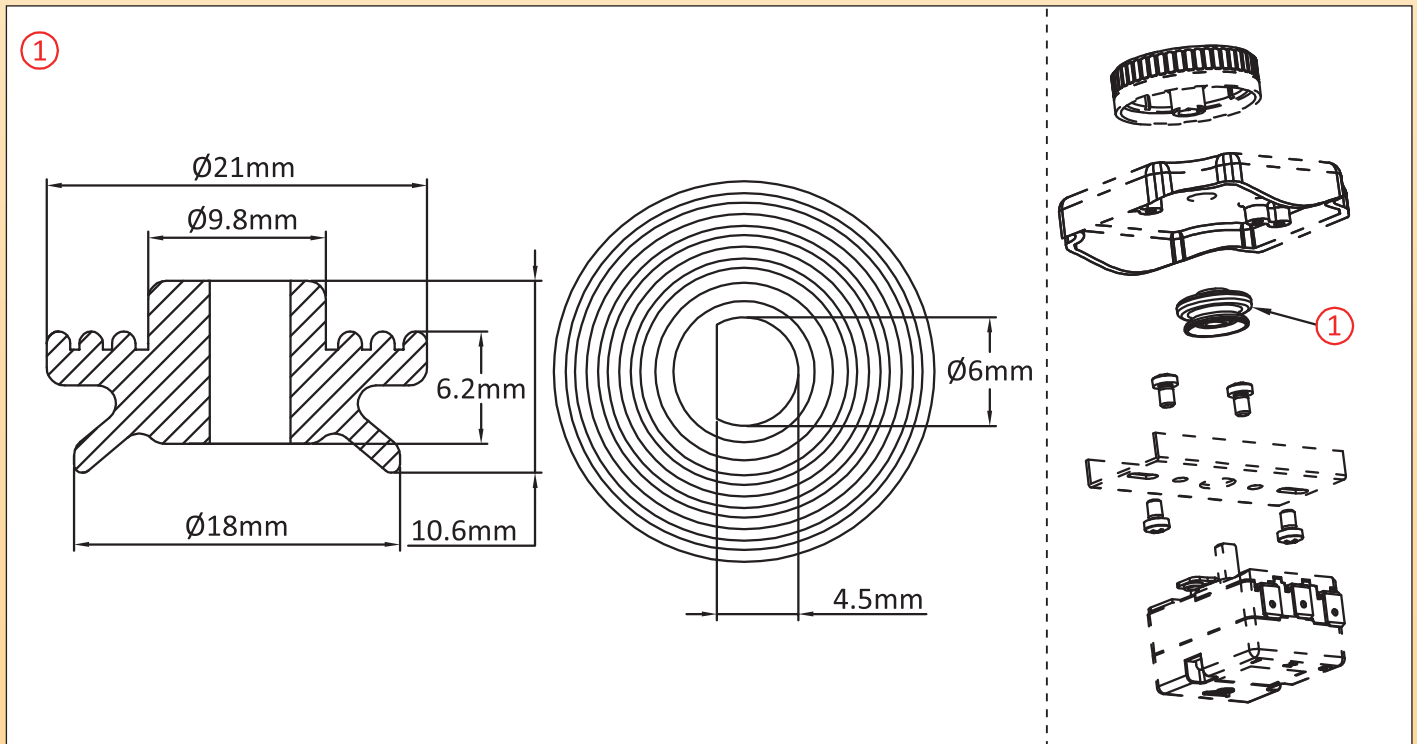


## Waterproof shaft gasket for external knob

Minimum Size	Maximum Size	Material	Type	Model
Dia. 10mm	Dia. 10mm	Silicone	Shaft gasket (IP54)	<b>66Q4</b>

Compatible with:	
<input checked="" type="checkbox"/> Y303	<input checked="" type="checkbox"/> Y3C4
<input checked="" type="checkbox"/> Y304	<input checked="" type="checkbox"/> Y3P1
<input checked="" type="checkbox"/> Y305	<input checked="" type="checkbox"/> Y3P3
<input checked="" type="checkbox"/> Y306	<input checked="" type="checkbox"/> Y3P5
<input checked="" type="checkbox"/> Y307	<input checked="" type="checkbox"/> Y3M1








### Main reference

66Q4SM3100000000

### Links

	Page (.pdf)
	Drawing 2D (.dwg)
	Drawing 3D (.stp)

Because of permanent improvement of our products, drawings, descriptions, features used on these data sheets are for guidance only and can be modified without prior advice

Red dimensions inside rectangular frames on drawings are used for assembly on enclosures or on fittings.

