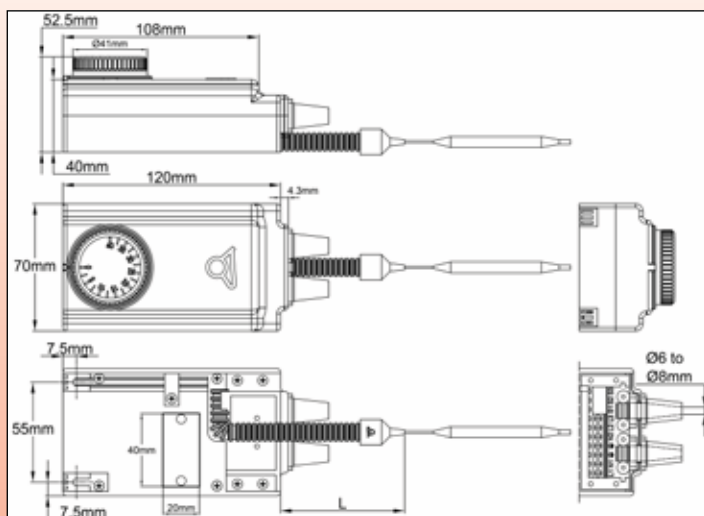


# IP54, Y5 Hand held or wall mounting thermostat

## Distance temperature measurement



This control box has the smallest footprint and the lowest price of the Y range with waterproof enclosure. It has a modern and aesthetic design, and the same professional concept than other products of this range. Because of their small size (120 x 70 x 53 mm), these controls can be wall mounted with 2 screws 55 mm distance, hand held or just simply laid on the working table.

**Enclosure:** PC-ABS, black color, small footprint, can be hand held or wall mounted

**Ingress protection rating:** IP54 (IEC 60529)

**Mechanical impact resistance:** IK05 (EN 62262)

**Flammability:** UL94-V0

**Electrical connection:** on a closed screw terminal connection block cavity located backside, for wire gauges up to 2.5 mm<sup>2</sup>. Cables are secured by a saddle retainer, and grommets. Ground, neutral and phase can be connected in input and output.

**Power inlet and outlet:** through grommets for cables dia. 6 to 8 mm. Over-molded cables on request (MOQ apply)

**Adjustment:** Printed knob, with min or max position adjustment.

**Temperature sensing element:** bulb with 1.5 m long capillary. 2 versions are available: unprotected capillary or capillary protected by corrugated plastic tube.

**Adjustment ranges:** -35+35°C (-30+95°F); 4-40°C (40-105°F); 30-90°C (85-195°F); 30-110°C (85-230°F); 50-200°C (120-390°F); 50-300°C (120-570°F)

**Mounting:** Wall mounting, for screws dia. 4 to 6 mm, 55 mm distance

**Identification:** Location backside for 20 x 40 mm identification label, adhesive or riveted

**Electrical contact:**

- Open on temperature rise contact: 16(2,6)A, 250V AC.

- Close on temperature rise contact: 6(0.6)A, 250V

## Wiring diagram



## Main references without cords\*

Temperature range °C (°F)	Differential °C (°F)	°C		°F	
		Reference with un-protected capillary, °C knob	Reference with protected capillary, °C knob	Reference with un-protected capillary, °F knob	Reference with protected capillary, °F knob
-35+35°C (-30+95°F)	4±2°C (7±3.6 °F)	Y5U3BC70000CUAF2	Y5U3BB70000CUAF2	Y5U3BC70000FUAF2	Y5U3BB70000FUAF2
4-40°C (40-105°F)	3±2°C (5.5±3.6 °F)	Y5U3CC70000CUAF2	Y5U3CB70000CUAF2	Y5U3CC70000FUAF2	Y5U3CB70000FUAF2
30-90°C (85-195°F)	4±3°C (7±5.5 °F)	Y5U3EC70000CUAF2	Y5U3EB70000CUAF2	Y5U3EC70000FUAF2	Y5U3EB70000FUAF2
30-110°C (85-230°F)	5±3°C (9±5.5 °F)	Y5U3GC70000CUAF2	Y5U3GB70000CUAF2	Y5U3GC70000FUAF2	Y5U3GB70000FUAF2
50-200°C (120-390°F)	5~13°C (9~24 °F)	Y5U3IC70000CUAF2	Y5U3IB70000CUAF2	Y5U3IC70000FUAF2	Y5U3IB70000FUAF2
50-300°C (120-570°F)	5~15°C (9~27°F)	Y5U3KC70000CUAF2	Y5U3KB70000CUAF2	Y5U3KC70000FUAF2	Y5U3KB70000FUAF2

\* Reference with Male Euro 1m H05-VVF-3G1 cord+ no connector euro1m H05-VVF-3G1 cord: replace 0000 by EJJH

Reference with 2 euro cords 1m H05-VVF-3G1 without connector or plug: replace 0000 by HJJH

Reference with UL SJT 3 x AWG16, 1m Male cord + SJT 3 x AWG16, 1m Female cords: replace 0000 by UJJV

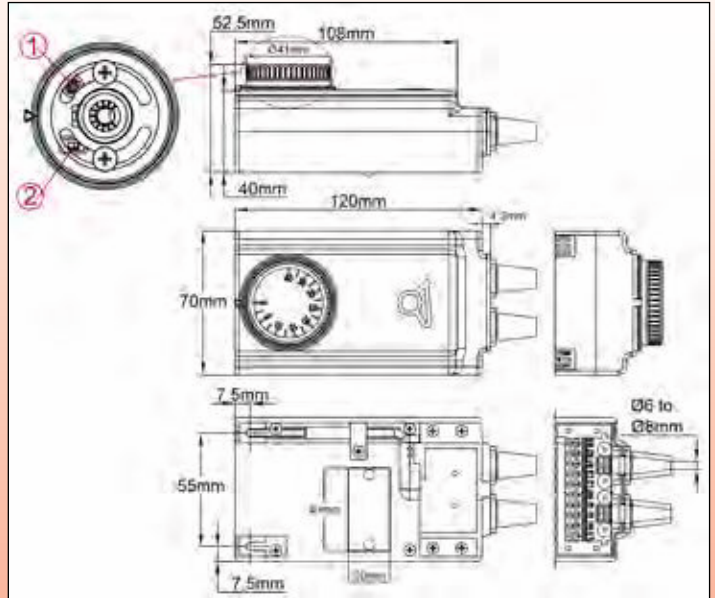
Reference with Male UL SJT 3 x AWG16, 1m cord + no connector UL SJT 3 x AWG16, 1m cord: replace 0000 by UJSJ

Reference with 2 UL SJT 3 x AWG16 1m cords without connector or plug: replace 0000 by SJSJ



# IP54, Y5 Hand held or wall mounting electronic thermostat

## Ambient temperature measurement (electronic)



This control box has the smallest footprint and the lowest price of the Y range with waterproof enclosure. It has a modern and aesthetic design, and the same professional concept than other products of this range.

Because of their small size (120 x 70 x 53 mm), these controls can be wall mounted with 2 screws 55 mm distance, hand held or just simply laid on the working table.

**Enclosure:** PC-ABS, black color, small footprint, can be hand held or wall mounted

**Ingress protection rating:** IP54 (IEC 60529)

**Mechanical impact resistance:** IK05 (EN 62262)

**Flammability:** UL94-V0

**Electrical connection:** on a closed screw terminal connection block cavity located backside, for wire gauges up to 2.5 mm<sup>2</sup>. Cables are secured by a saddle retainer, and grommets. Ground, neutral and phase can be connected in input and output.

**Power inlet and outlet:** through grommets for cables dia. 6 to 8 mm. Over-molded cables on request (MOQ apply)

**Adjustment:** Printed knob, with min or max position adjustment.

**Temperature sensing bulb:** The temperature sensing bulb is located backside, in a vented and protected cavity

**Adjustment ranges:** -35+35°C (-30+95°F) 0-10°C (+32+50°F); 4-40°C (40-105°F)

**Differential:** adjustable by potentiometer located under the knob(1)

**Temperature sensor:** NTC sensor, located backside, in a vented and protected cavity

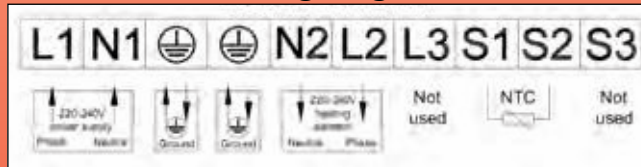
**Mounting:** Wall mounting, for screws dia. 4 to 6 mm, 55 mm distance

**Identification:** Location backside for 20 x 40 mm identification label, adhesive or riveted

**Power supply:** 90-250VAC, 50 or 60Hz

**Electrical contact:** SPST 16A 250V - Electronic thermostat: SPST+ ground terminal. Open on rise or close on rise action can be set by switch located under the knob(2).

### Wiring diagram



### Main references without cords\*

Temperature range	References with knob in °C	References with knob in °F
-35+35°C (-30+95°F)	Y5UM1AA0000CUCF2	Y5UM1AA0000FUCF2
0-10°C (+32+50°F)	Y5UM2AA0000CUCF2	Y5UM2AA0000FUCF2
-40°C (40-105°F)	Y5UM3AA0000CUCF2	Y5UM3AA0000FUCF2

\* Reference with Male Euro 1m H05-VVF-3G1 cord+ no connector euro1m H05-VVF-3G1 cord: replace 0000 by EJJH

Reference with 2 euro cords 1m H05-VVF-3G1 without connector or plug: replace 0000 by HJHJ

Reference with UL SJT 3 x AWG16, 1m Male cord + SJT 3 x AWG16, 1m Female cords: replace 0000 by UJVV

Reference with Male UL SJT 3 x AWG16, 1m cord + no connector UL SJT 3 x AWG16, 1m cord: replace 0000 by UJSJ

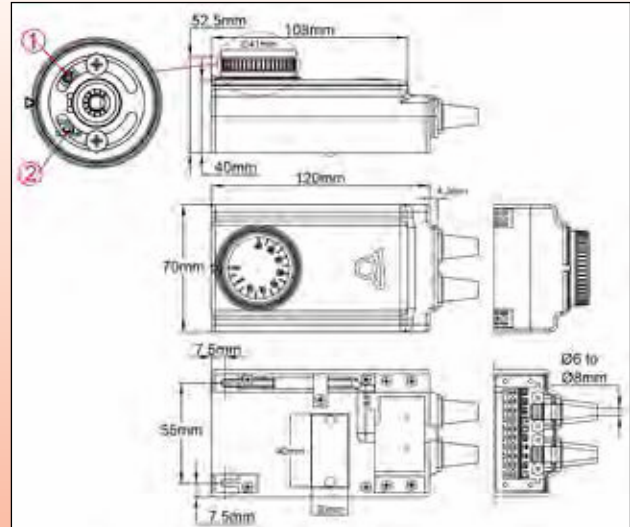
Reference with 2 UL SJT 3 x AWG16 1m cords without connector or plug: replace 0000 by SJSJ

Because of permanent improvement of our products, drawings, descriptions, features used on these data sheets are for guidance only and can be modified without prior advice



# IP54, Y5 Hand held or wall mounting electronic thermostat

## Distance temperature measurement (electronic)



This control box has the smallest footprint and the lowest price of the Y range with waterproof enclosure. It has a modern and aesthetic design, and the same professional concept than other products of this range.

Because of their small size (120 x 70 x 53 mm), these controls can be wall mounted with 2 screws 55 mm distance, hand held or just simply laid on the working table.

**Enclosure:** PC-ABS, black color, small footprint, can be hand held or wall mounted

**Ingress protection rating:** IP54 (IEC 60529)

**Mechanical impact resistance:** IK05 (EN 62262)

**Flammability:** UL94-V0

**Electrical connection:** on a closed screw terminal connection block cavity located backside, for wire gauges up to 2.5 mm<sup>2</sup>. Cables are secured by a saddle retainer, and grommets. Ground, neutral and phase can be connected in input and output.

**Power inlet and outlet:** through grommets for cables dia. 6 to 8 mm. Over-molded cables on request (MOQ apply)

**Adjustment:** Printed knob, with min or max position adjustment.

**Adjustment ranges:** -35+35°C (-30+95°F); 0-10°C (+32+50°F); 4-40°C (40-105°F); 30-90°C (85-195°F); 30-110°C (85-230°F); 50-200°C (120-390°F); 50-300°C (120-570°F)

**Differential:** adjustable by potentiometer located under the knob(1)

**Temperature sensor:** NTC sensor, with 2 m long cable, probe protected by 30 mm stainless steel tube. 2 versions are available: unprotected cable or cable protected by corrugated plastic tube. Can also be supplied without temperature sensor, when standard temperature sensor is not adapted to the application.

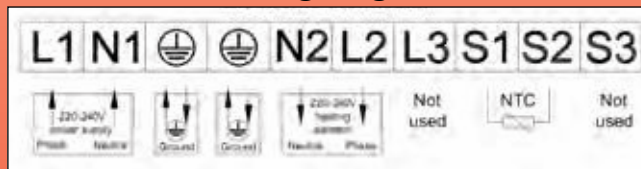
**Mounting:** Wall mounting, for screws dia. 4 to 6 mm, 55 mm distance

**Identification:** Location backside for 20 x 40 mm identification label, adhesive or riveted

**Power supply:** 90-250VAC, 50 or 60Hz

**Electrical contact:** SPST 16A 250V - Electronic thermostat: SPST+ ground terminal. Open on rise or close on rise action can be set by switch located under the knob manette(2).

### Wiring diagram



### Main references without cords\*

Temperature range	°C knob			°F knob		
	Reference without NTC sensor	Protected sensor cable reference	Un-protected sensor cable reference	Reference without NTC sensor	Protected sensor cable reference	Un-protected sensor cable reference
-35+35°C (-30+95°F)	Y5U010A0000CUCF2	Y5UN1BA0000CUCF2	Y5UN1CA0000CUCF2	Y5U010A0000FUCF2	Y5UN1BA0000FUCF2	Y5UN1CA0000FUCF2
0-10°C (+32+50°F)	Y5U020A0000CUCF2	Y5UN2BA0000CUCF2	Y5UN2CA0000CUCF2	Y5U020A0000FUCF2	Y5UN2BA0000FUCF2	Y5UN2CA0000FUCF2
4-40°C (40-105°F)	Y5U030A0000CUCF2	Y5UN3BA0000CUCF2	Y5UN3CA0000CUCF2	Y5U030A0000FUCF2	Y5UN3BA0000FUCF2	Y5UN3CA0000FUCF2
30-90°C (85-195°F)	Y5U040A0000CUCF2	Y5UN4BA0000CUCF2	Y5UN4CA0000CUCF2	Y5U040A0000FUCF2	Y5UN4BA0000FUCF2	Y5UN4CA0000FUCF2
30-110°C (85-230°F)	Y5U050A0000CUCF2	Y5UN5BA0000CUCF2	Y5UN5CA0000CUCF2	Y5U050A0000FUCF2	Y5UN5BA0000FUCF2	Y5UN5CA0000FUCF2
50-200°C (120-390°F)	Y5U060A0000CUCF2	Y5UR6BA0000CUCF2	Y5UR6CA0000CUCF2	Y5U060A0000FUCF2	Y5UR6BA0000FUCF2	Y5UR6CA0000FUCF2
50-300°C (120-570°F)	Y5U070A0000CUAF2	Y5UR7BA0000CUCF2	Y5UR7CA0000CUCF2	Y5U070A0000FUAF2	Y5UR7BA0000FUCF2	Y5UR7CA0000FUCF2

\* Reference with Male Euro 1m H05-VVF-3G1 cord+ no connector euro1m H05-VVF-3G1 cord: replace 0000 by EJJH

Reference with 2 euro cords 1m H05-VVF-3G1 without connector or plug: replace 0000 by HJJH

Reference with UL SJT 3 x AWG16, 1m Male cord + SJT 3 x AWG16, 1m Female cords: replace 0000 by UJJJ

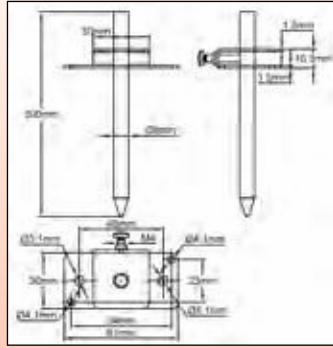
Reference with Male UL SJT 3 x AWG16, 1m cord + no connector UL SJT 3 x AWG16, 1m cord: replace 0000 by UJSJ

Reference with 2 UL SJT 3 x AWG16 1m cords without connector or plug: replace 0000 by SJSJ



# IP54, Y5 Hand held or wall mounting electronic thermostat

## Accessories and options



Stopper pocket for liquid temperature measurement inside bottles, carboys and other containers. Dia. 8 mm, length adjustable from 100 to 500 mm.

Reference	66DI08500FL
-----------	-------------

## Knob printings

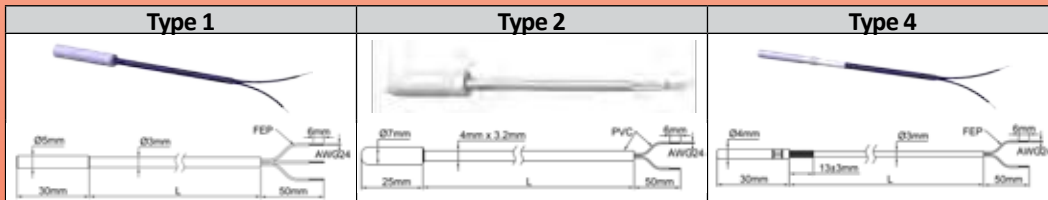
### °C Printing

-35+35°C	0-10°C	4-40°C	30-90°C	30-110°C	50-200°C	50-300°C

### °F Printing

--	--	--	--	--	--	--

## NTC Thermistor



References	Temperature ranges	R	B	Protection pocket	Cable, (L)	applications	Model
TNR60030C20001F6	-20+120°C	R25°C: 10KΩ +/- 1%	B25/50°C: 3380 +/- 1%	Nickel plated copper	200°C FEP insulated, L=2m	Usual, from ambient to 120°C	1
TNR70025P20001F6	-30+50°C	R25°C: 10KΩ +/- 1%	B25/50°C: 3380 +/- 1%	PVC, waterproof	80°C PVC insulated L=2m	Cold rooms and ambient	2
TPR40030C20001F6	50-300°C	R25°C: 500K +/-2.5%	B25/50°C: 4260+/-2	Stainless steel	200°C FEP insulated, L=2m	200 and 300°C temperature ranges	4

## Options



Standard version: grommet cable output for cables from 4 to 8.6 mm OD



SJT 3 x AWG16 cord, length 1m, with 15A UL receptacle



SJT 3 x AWG16 cord, length 1m, with 15A UL plug



SJT 3 x AWG16 cord, length 1m, without plug



H05VV-F 3G1.5 cord, length 1m, with Euro plug



H05VV-F 3G1.5, length 1m, cord without plug

Because of permanent improvement of our products, drawings, descriptions, features used on these data sheets are for guidance only and can be modified without prior advice

