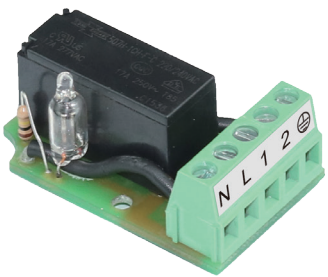
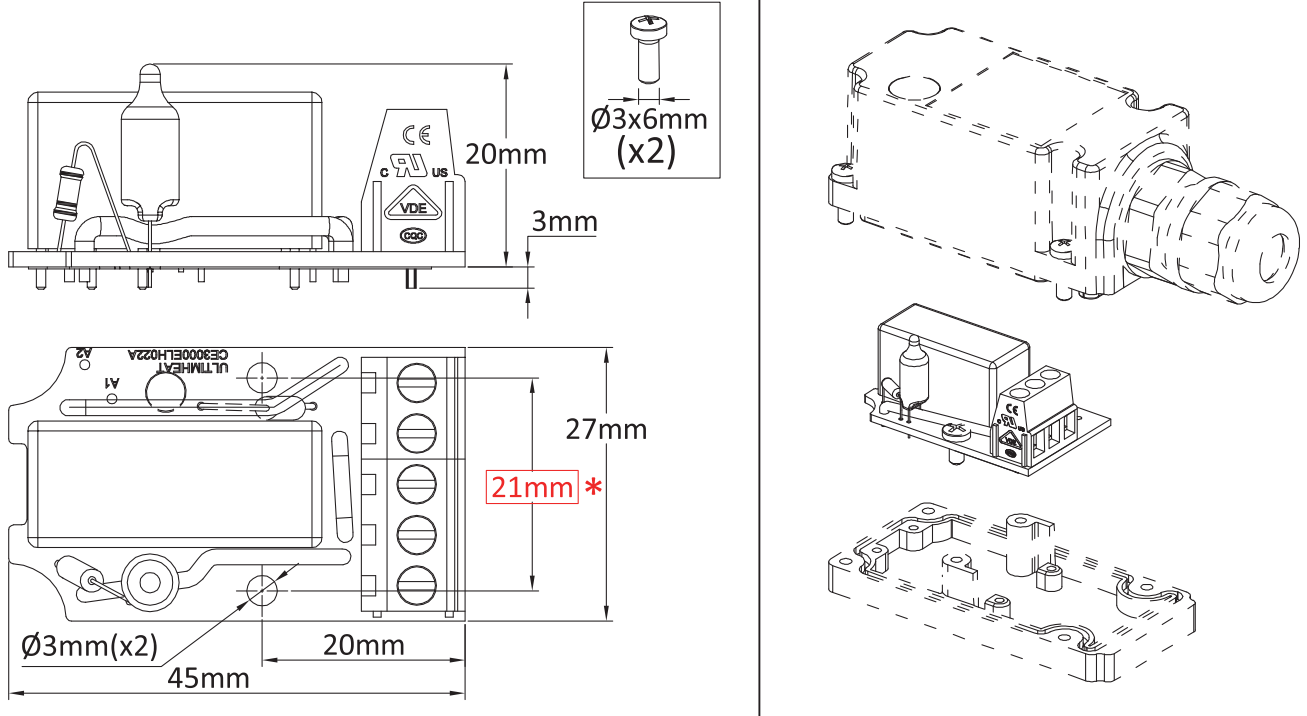


PCB with one miniature relay, rating 16A 250V. Allows to increase the rating of devices using reed switches.

Minimum Size	Maximum Size	Material	Type	Model
45 × 27 × 23mm	45 × 27 × 23mm	PCB	Relay boards	6YRM

Compatible with:
<input checked="" type="checkbox"/> Y3A2 



Main reference

6YRMA230116MF000

Links



Page (.pdf)



Drawing 2D (.dwg)



Drawing 3D (.stp)

Because of permanent improvement of our products, drawings, descriptions, features used on these data sheets are for guidance only and can be modified without prior advice

Red dimensions inside rectangular frames on drawings are used for assembly on enclosures or on fittings.

